

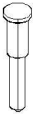
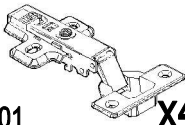


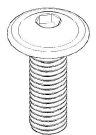

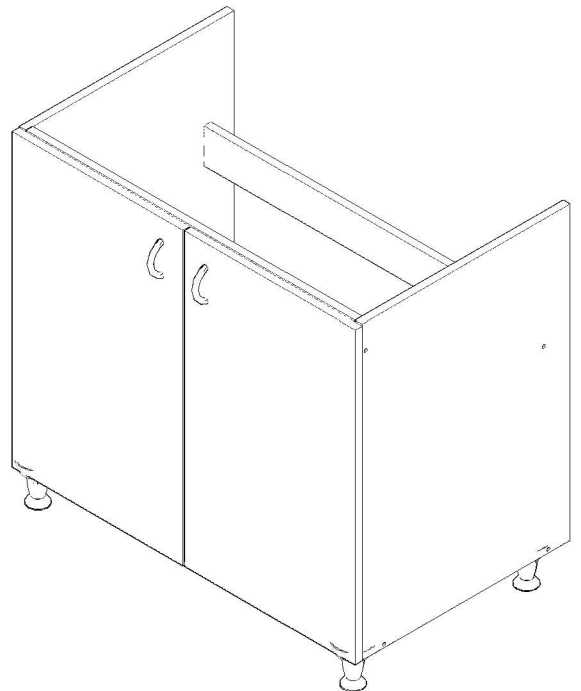
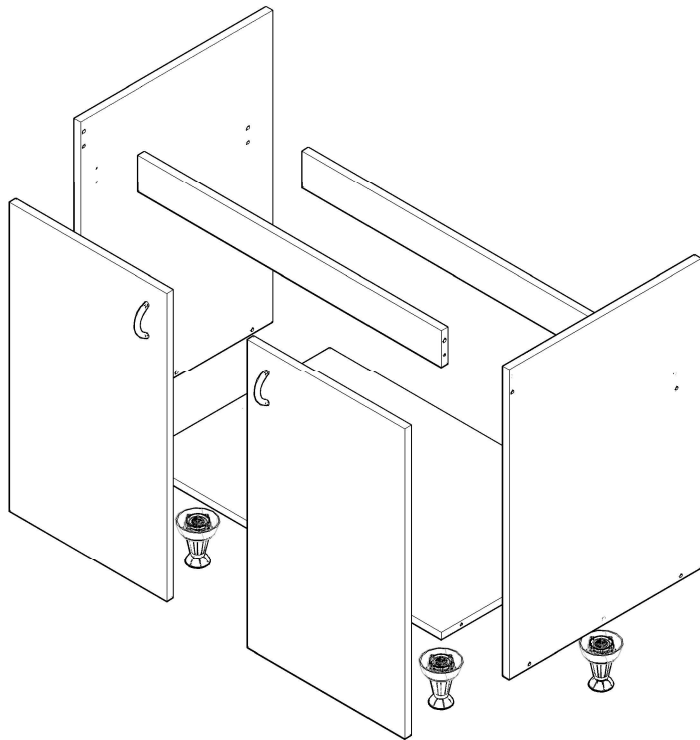
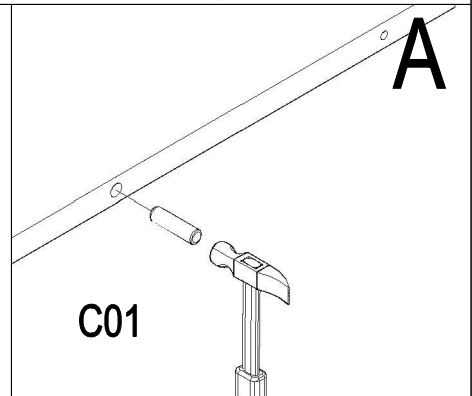
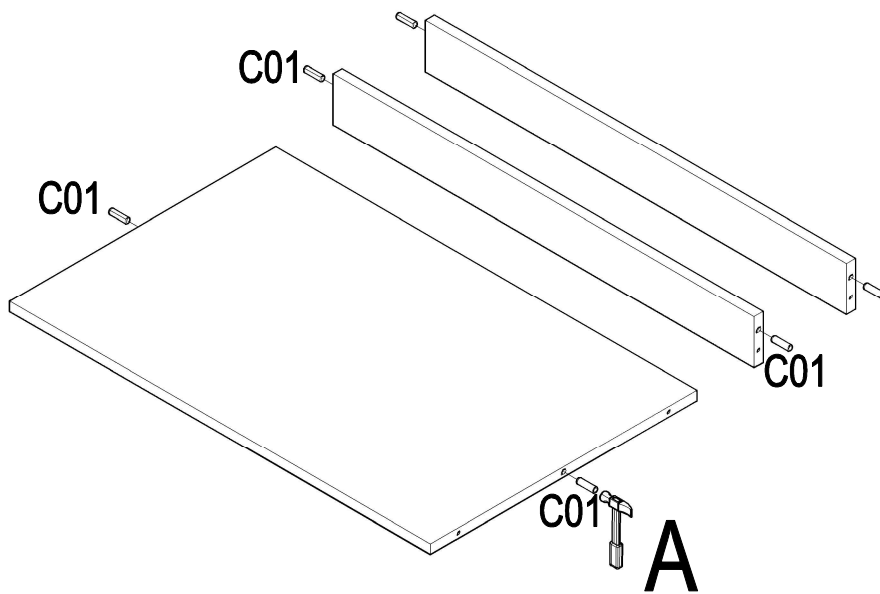


NR.13

 S01 x32	 P01 x4	 S02 x8	 B01 x4	 C01 x6	 M01 x2
 S11 x4	 D01 x1				



1.



6xC01