





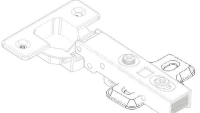

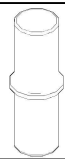


NR.22

 S01 3.5x16 x32	 S11 M4x22 x4	 C01 x6	 C10 x10	 C11 x10	 P01 x4
 B01 x4	 M01 x2	 S21 x4			

