


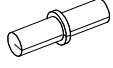
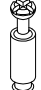

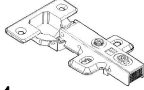

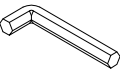
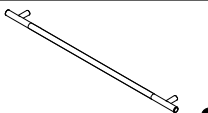
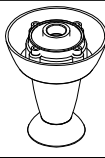
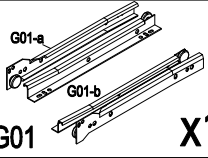
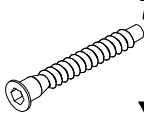


# NR. 17

 <p>3.5x16 S02 x39</p>	 <p>M4x22 S11 x4</p>	 <p>C01 x10</p>	 <p>S21 x2</p>	 <p>C10 x18</p>	 <p>C11 x18</p>
 <p>B01 x2</p>	 <p>B02 x1</p>	 <p>D01 x1</p>	 <p>M02 x2</p>	 <p>P02 x4</p>	 <p>G01-a G01-b G01 x1</p>
 <p>7x50 S01 x2</p>					

