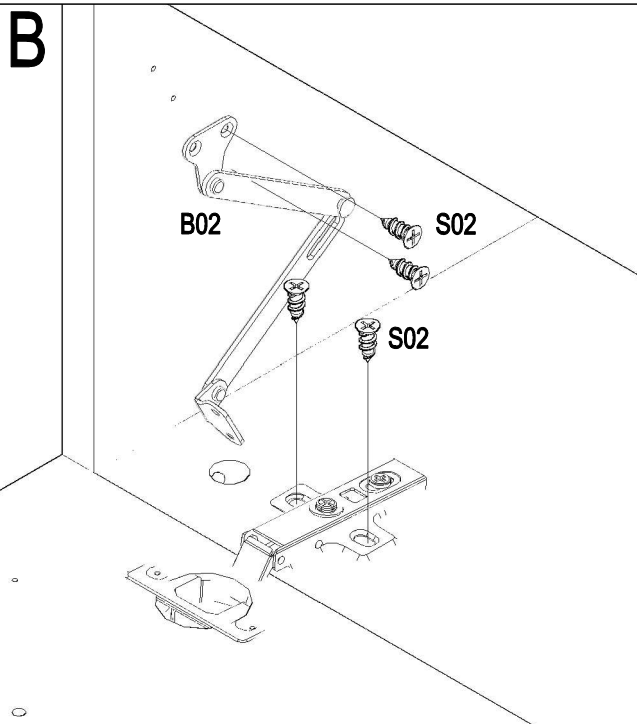
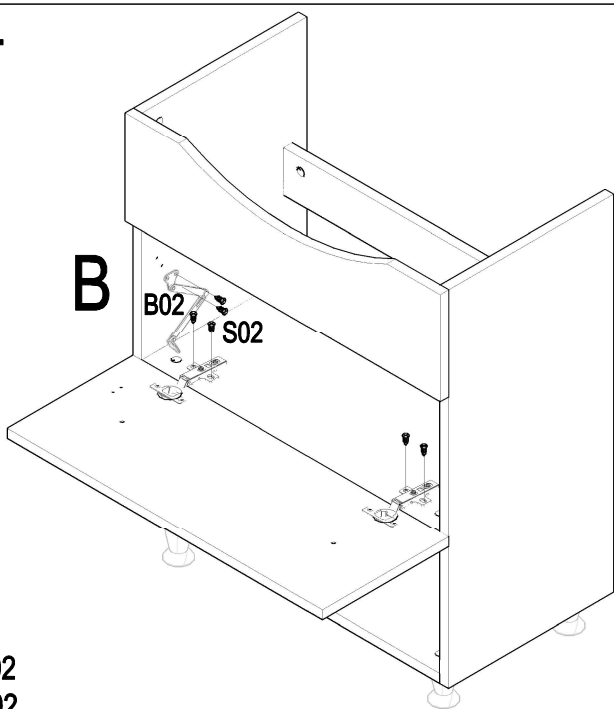


11.



1xB02
8xS02