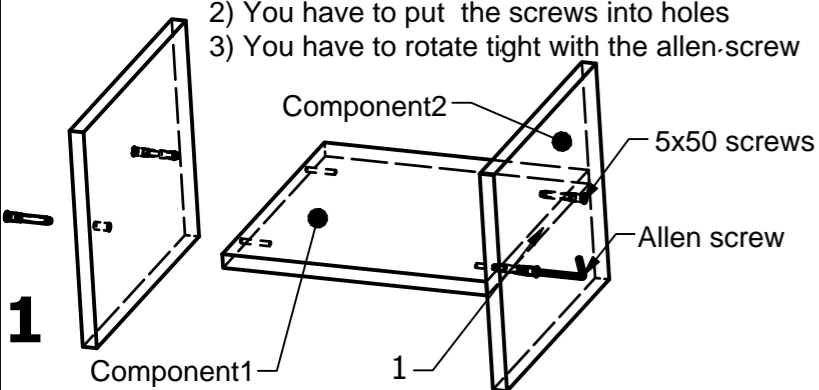


**Recomandations:**

- 1) It is recommended for the assembly to be made by 2 persons
- 2) The assembly floor it has to be straight and with a soft support (carpet, moquette), not on a cement, concrete or floor tiles.
- 3) For an easier assembly it is recommended to make the assembly in horizontal plan

**The steps of assembly with the 5x50 screws**

- 1) The 2 components have to be fixed on position
- 2) You have to put the screws into holes
- 3) You have to rotate tight with the allen-screw

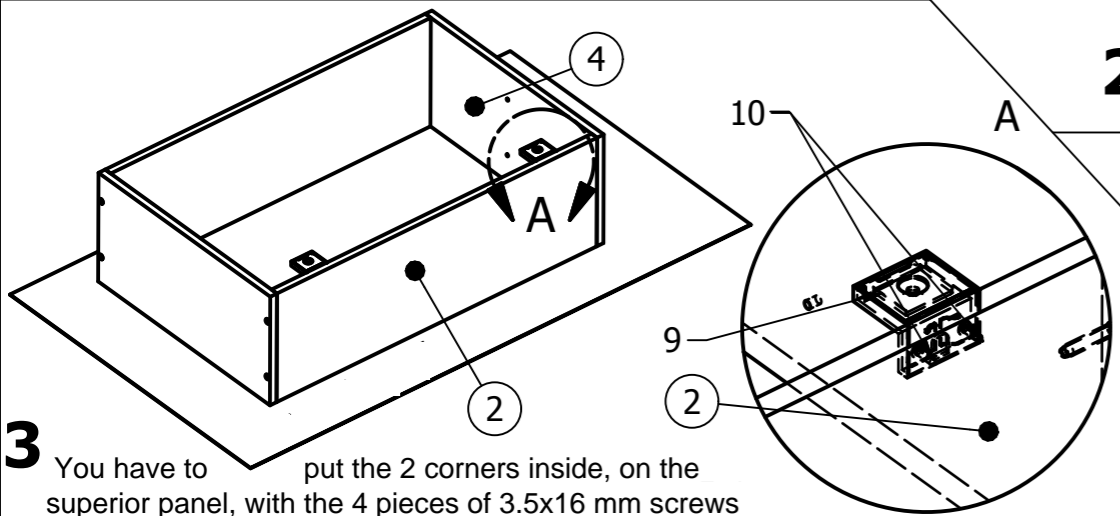
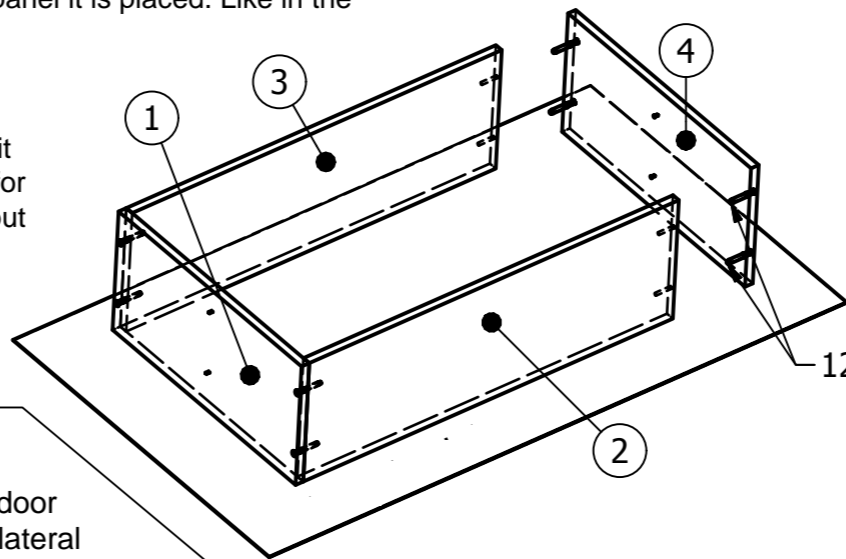


**Instructions:**

You have to start the assembly in increase order. Put on the carpet the right panel ( position no.1) after that put the superior panel ( position no.2) and than the panels no. 3,4, etc untill the back panel it is placed. Like in the pictures 1 and 2.

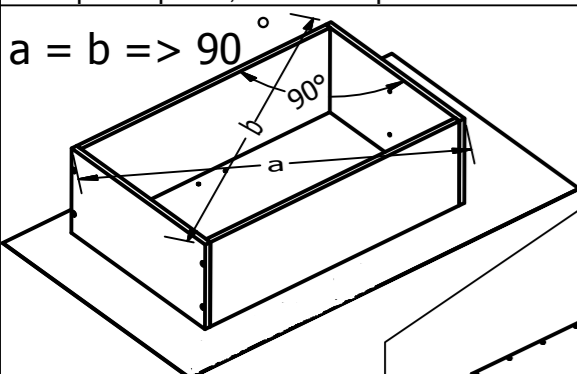
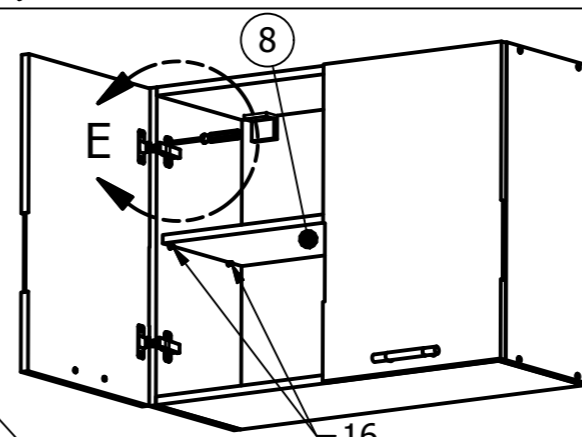
The edges without borders of the panels it should be placed up, for the back panel to be put on it.

**Assembly instructions**

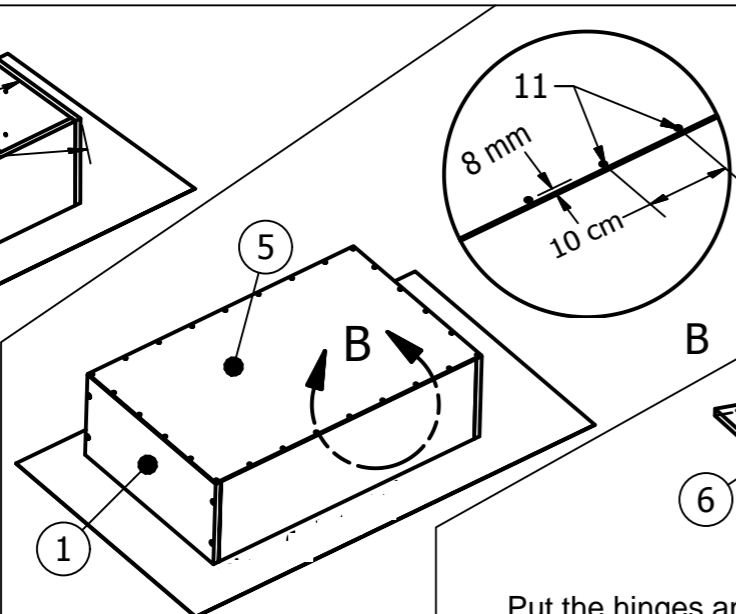


3 You have to put the 2 corners inside, on the superior panel, with the 4 pieces of 3.5x16 mm screws

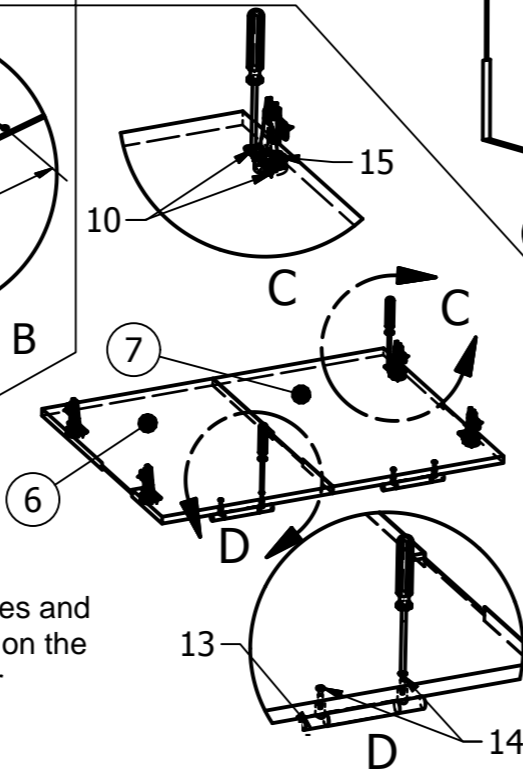
Fix the door on the lateral panel of the cabinet, with 4 pieces of 3.5x16 mm screws. Put the mobil shelf on the 4 shelf supports.



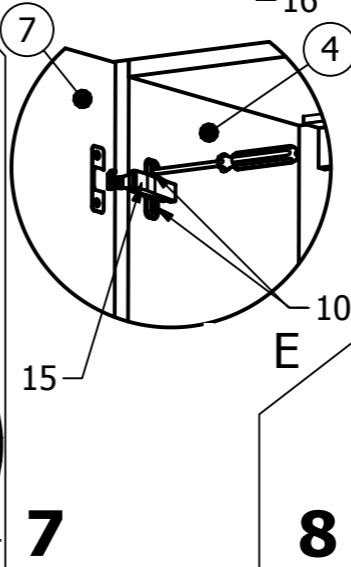
You have to check, with a roulette, if the 2 diagonals are equals



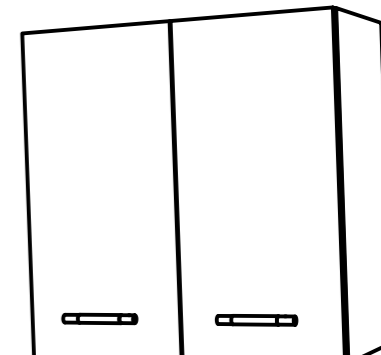
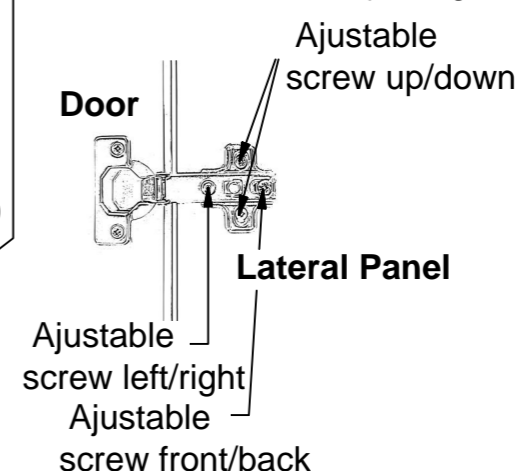
5 The back panel it should be fixed with the 20 pieces of 2.5x20 mm screws



6 Put the hinges and the handles on the cabinet door



Ajustable screw for adjusting the door.



After assembly

Position	Component Name	Component Dimension	Quantity
1	Right panel	60x28 cm	1
2	Superior panel	56,8x28 cm	1
3	Inferior panel	56,8x28 cm	1
4	Left panel	60x28 cm	1
5	Back panel	59,8x59,8 cm	1
6	Right door	59,8x29,8 cm	1
7	Left door	59,8x29,8 cm	1
8	Mobile shelf	56,7x26 cm	1
9	Corners		2
10	Screws for the positions no. 9-4 pieces; 15-16 pieces	3.5x16 mm	20
11	Screws for the back panel	2.5x20 mm	30
12	Screws	5x50 mm	8
13	Handle	96 mm	2
14	Screws for handles	M4x25 mm	4
15	Hinges		4
16	Shelf support		4
17	Allen screw		1