

Recomandations:

- 1) It is recommended for the assembly to be made by 2 persons
- 2) The assembly floor it has to be straight and with a soft support (carpet, moquette), not on a cement, concrete or floor tiles.
- 3) For an easier assembly it is recommended to make the assembly in horizontal plan

Yasmin Kitchen - 80 Superior kitchen cupboard with glass

Assembly instructions

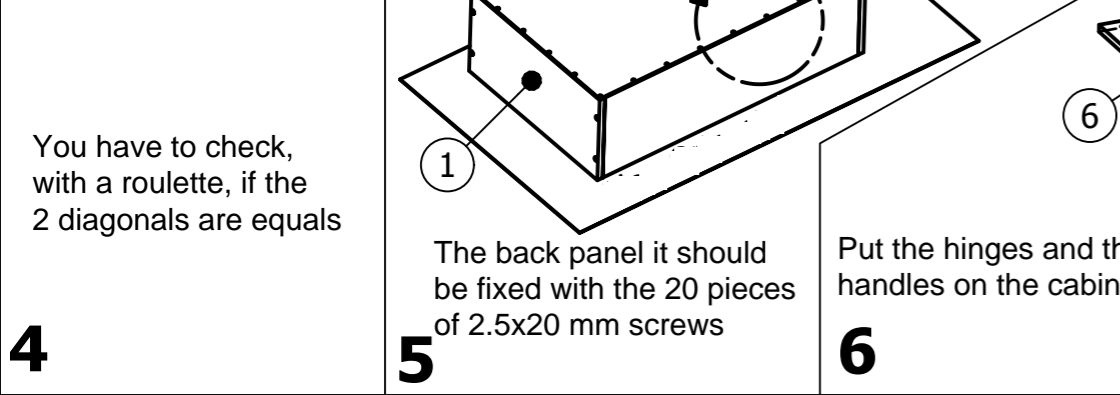
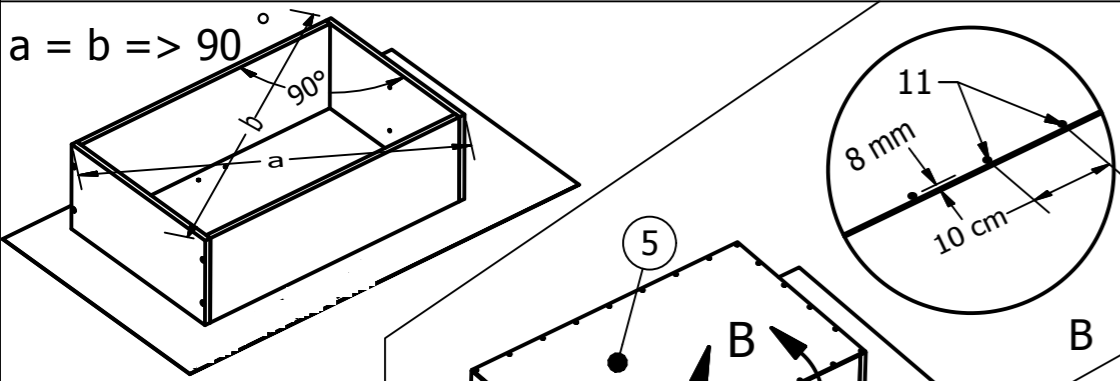
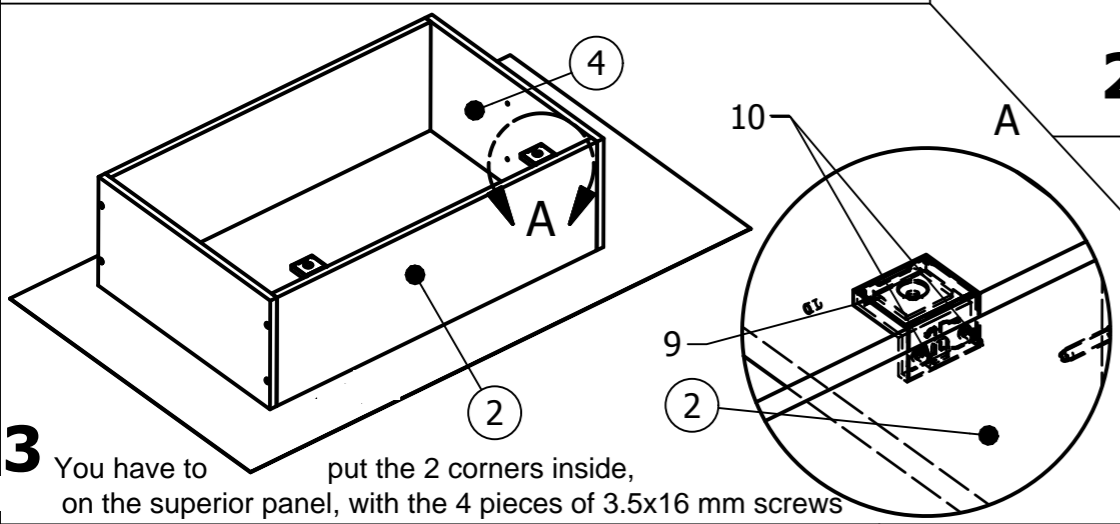
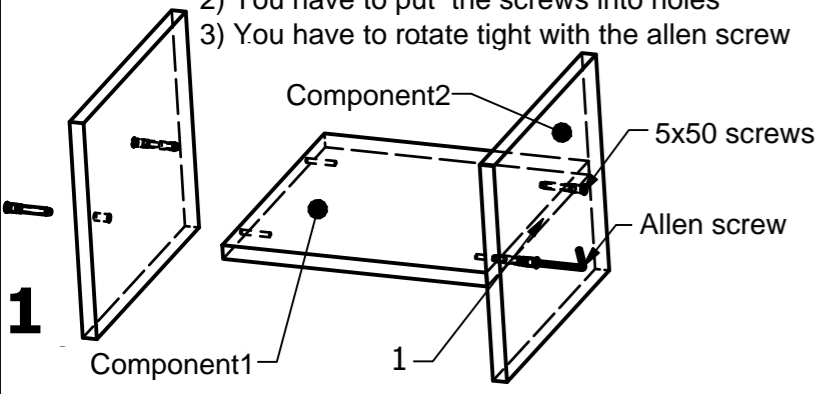
Instructions:

You have to start the assembly in increase order. Put on the carpet the right panel (position no.1) after that put the inferior panel (position no.2) and than the panels no. 3,4, etc untill the back panel it is placed. Like in the pictures 1 and

The edges without borders of the panels it should be placed up, for the back panel to be put on it.

The steps of assembly with the 5x50 screws

- 1) The 2 components have to be fixed on position
- 2) You have to put the screws into holes
- 3) You have to rotate tight with the allen screw

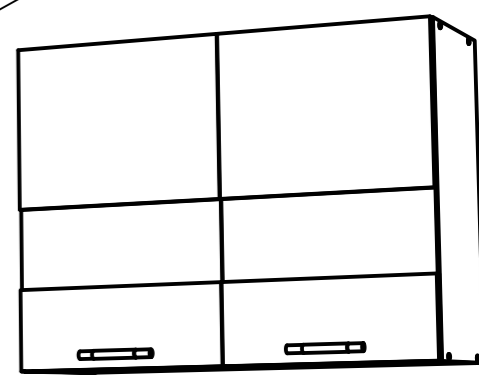


Fix the door on the lateral panel of the cabinet, with 4 pieces of 3.5x16 mm screws. Put the mobil shelf on the 4 shelf supports

Ajustable screw for adjusting the door.

Door
Lateral Panel
Ajustable screw up/down

Ajustable screw left/right
Ajustable screw front/back



After assembly

Position	Component Name	Component Dimension	Quantity
1	Right panel	60x28 cm	1
2	Superior panel	76,8x28 cm	1
3	Inferior panel	76,8x28 cm	1
4	Left panel	60x28 cm	1
5	Back panel	79,8x59,8 cm	1
6	Right door	59,8x39,8 cm	1
7	Left door	59,8x39,8 cm	1
8	Mobile shelf	76,7x26 cm	1
9	Corners		2
10	Screws for the positions no. 9 - 4 pieces 15 - 16	Ø3.5x16 mm	20
11	Screws for the back panel	Ø2.5x20 mm	30
12	Screws	Ø5x50 mm	8
13	Handle	96 mm	2
14	Screws for handles	Ø4x25 mm	4
15	Hinges		4
16	Shelf support		4
17	Allen screw		1