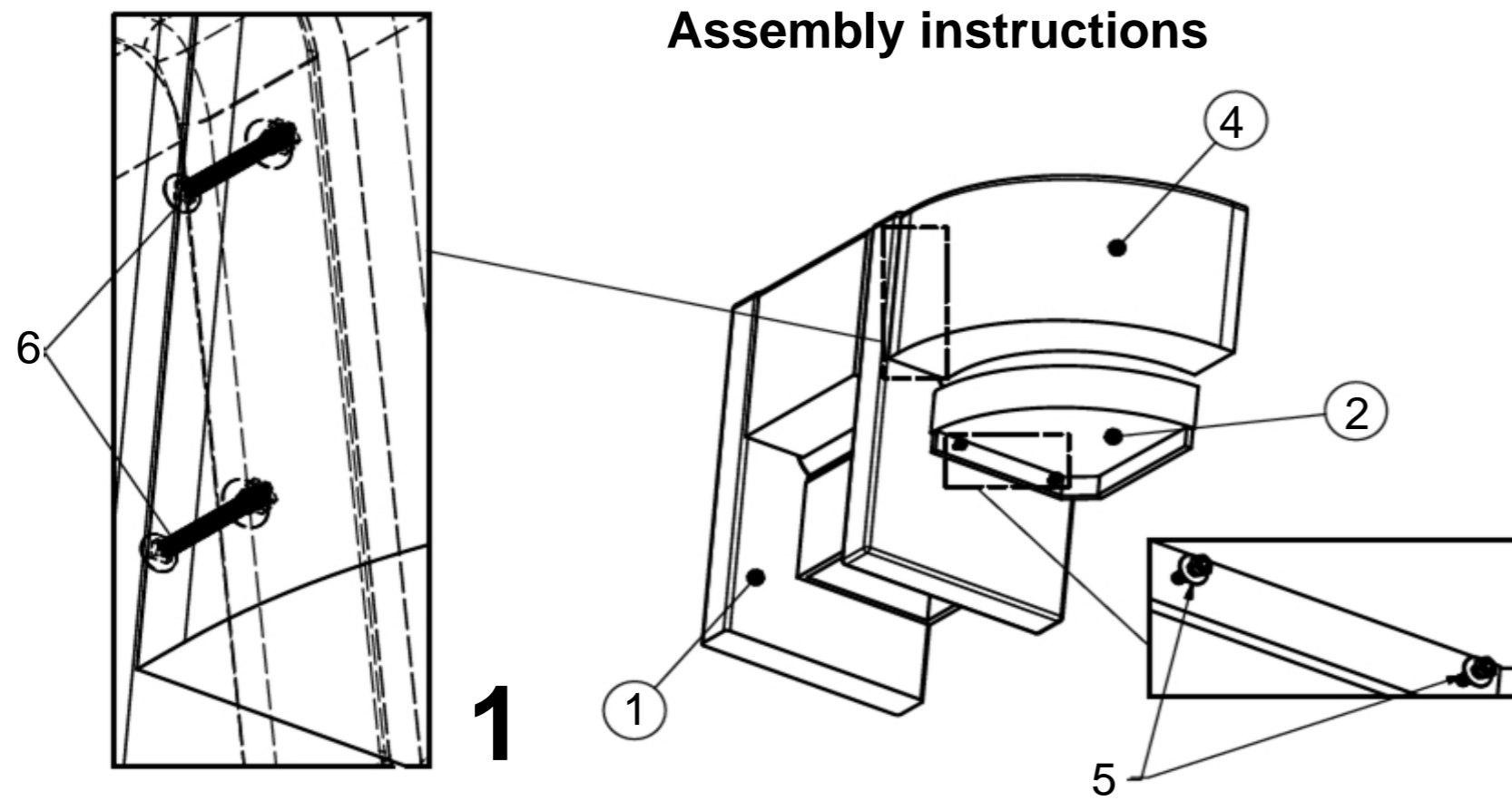


# TEO Left corner seat ( bench )

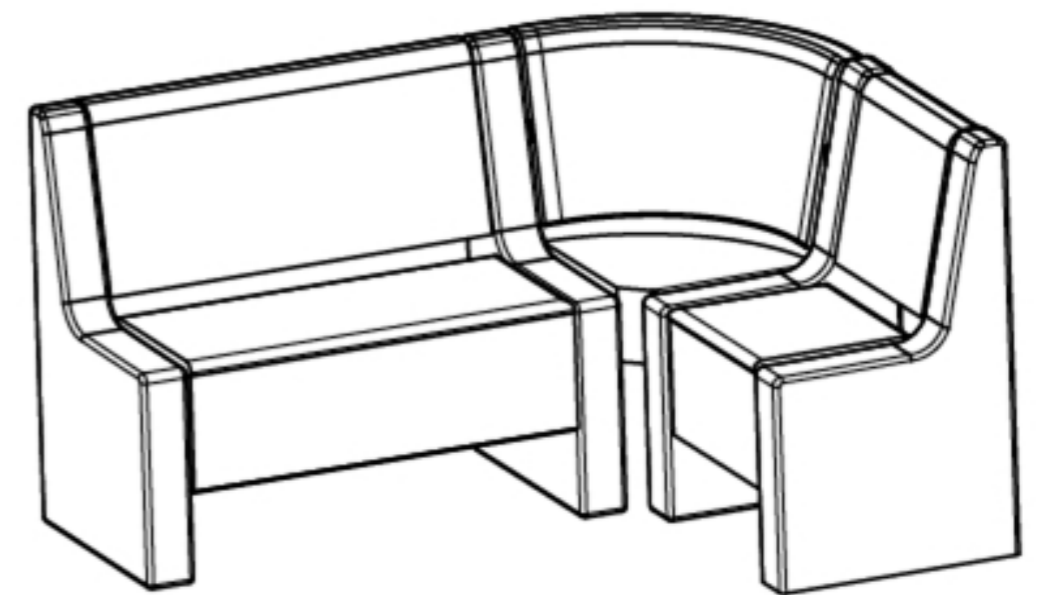
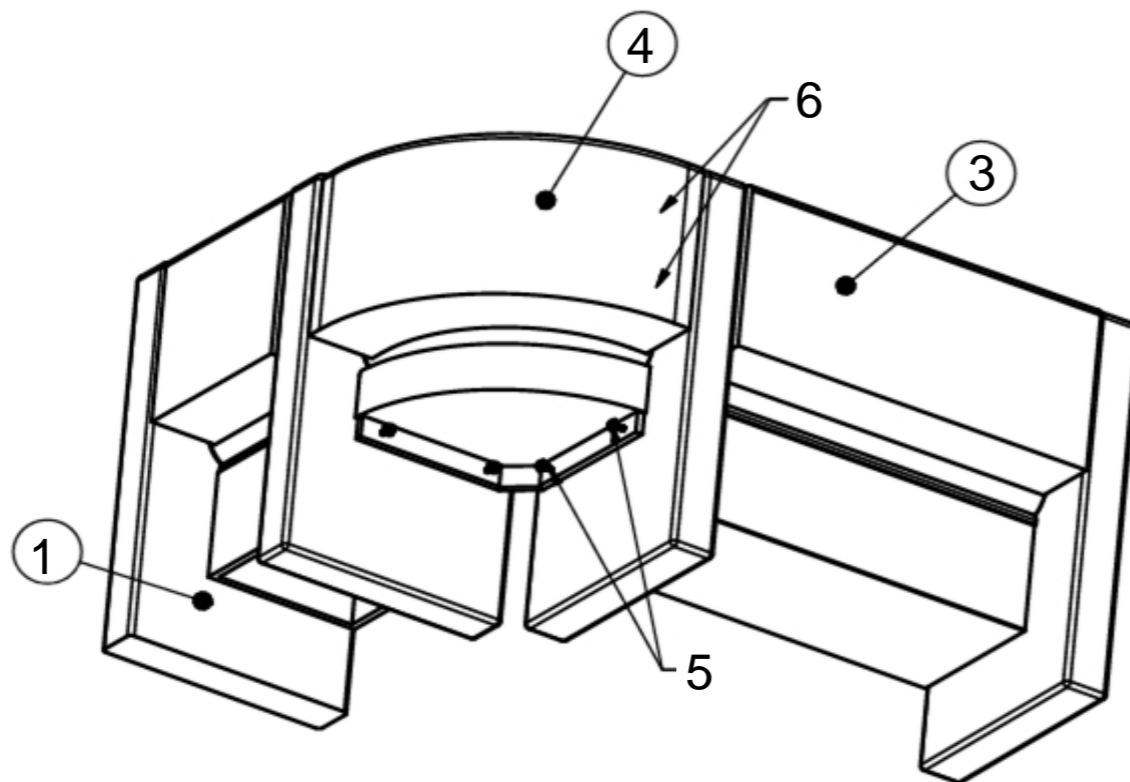
## Assembly instructions

Position	Component Name	Quantity
1	Small seat ( bench )	1
2	Corner seat	1
3	Big seat ( bench )	1
4	Corner Backrest	2
5	Screw M8X80, M8 nut, Flat washer	4
6	Screw M6X40, M6 nut, Flat washer	4



1) You have to put the corner seat into the two M8X80 screws ( position no.5) and the corner backrest into the two M6x40 ( position no.5) near the small seat ( bench)

2) You have to assembly the corner seat into the two M8X80 screws (position no.5) and the corner backrest into the two M6X40 screws near the big seat ( bench)



After assembly