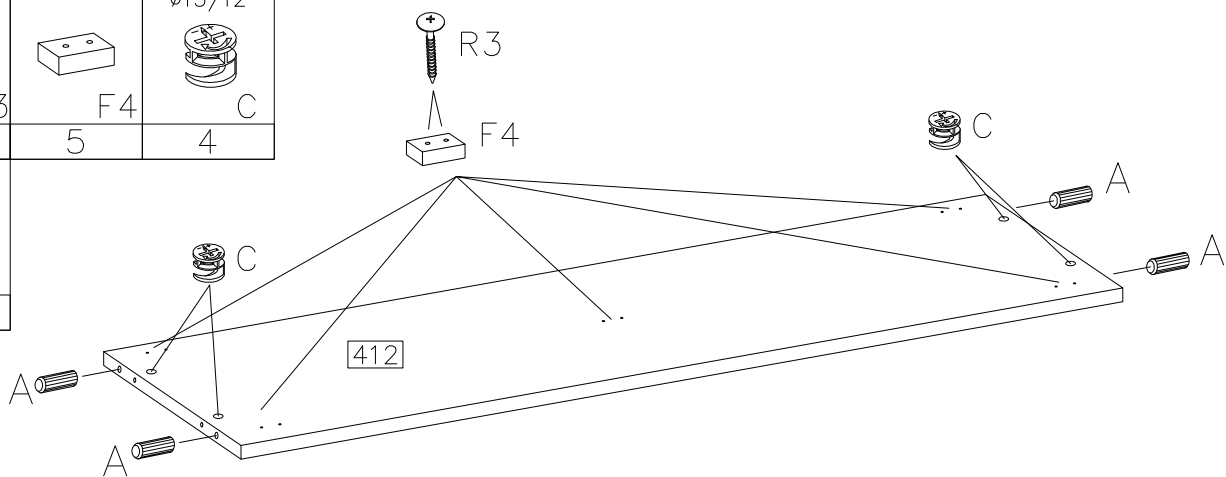


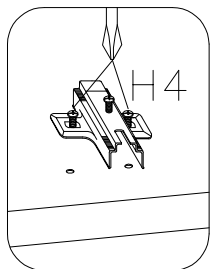
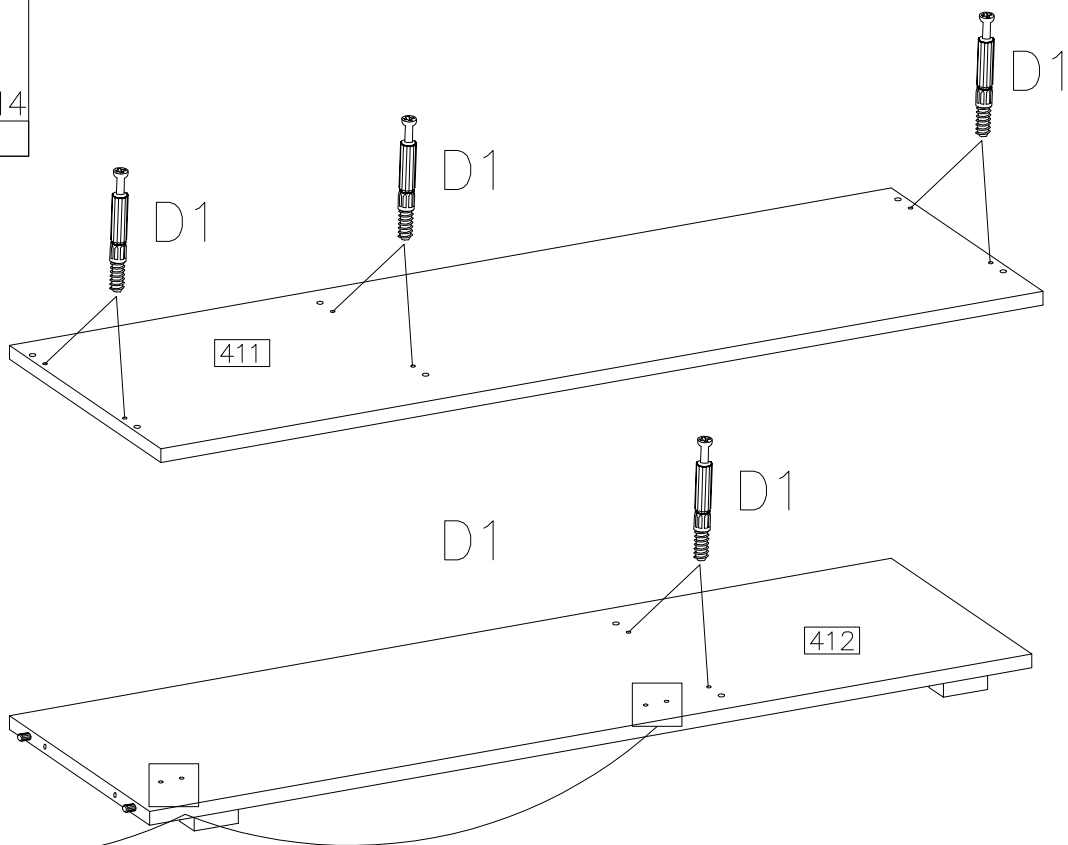
1

4.0x35mm R3	F4	ø15/12 C
10	5	4
ø8x30 A		
4		



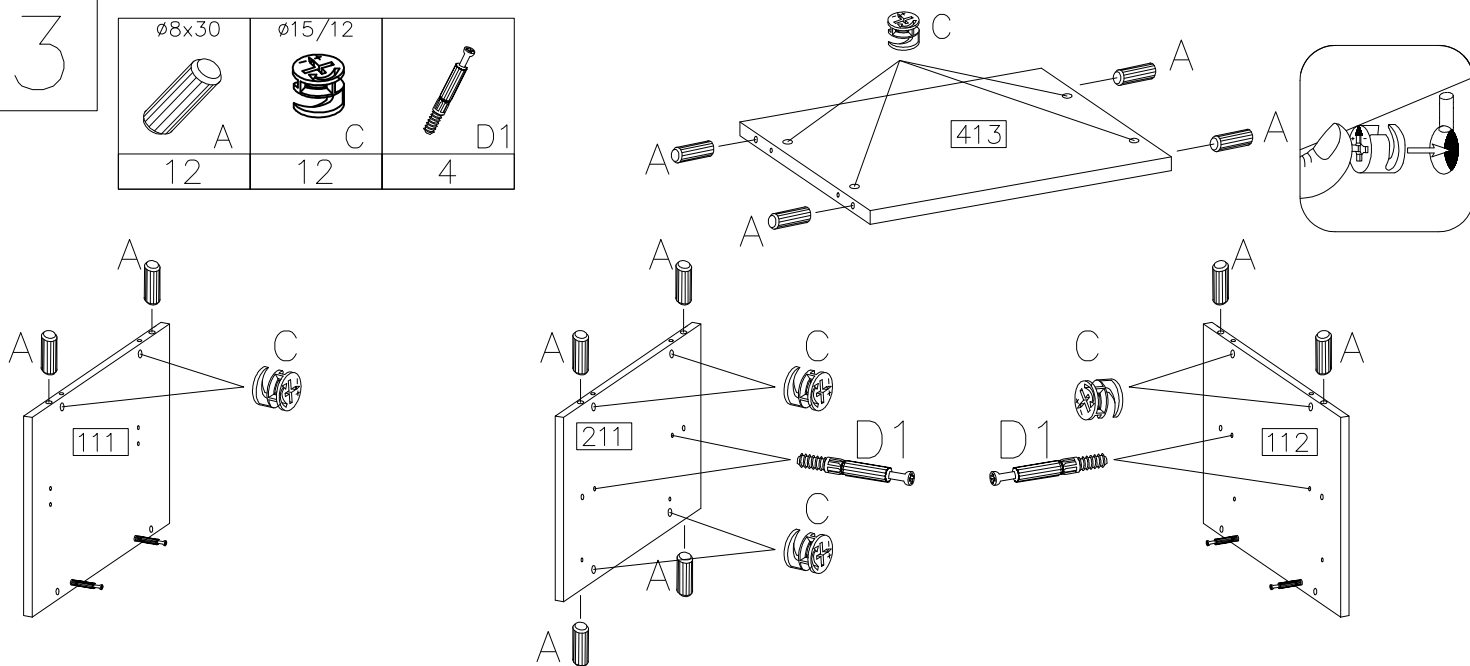
2

D1	H=0 H4
8	2

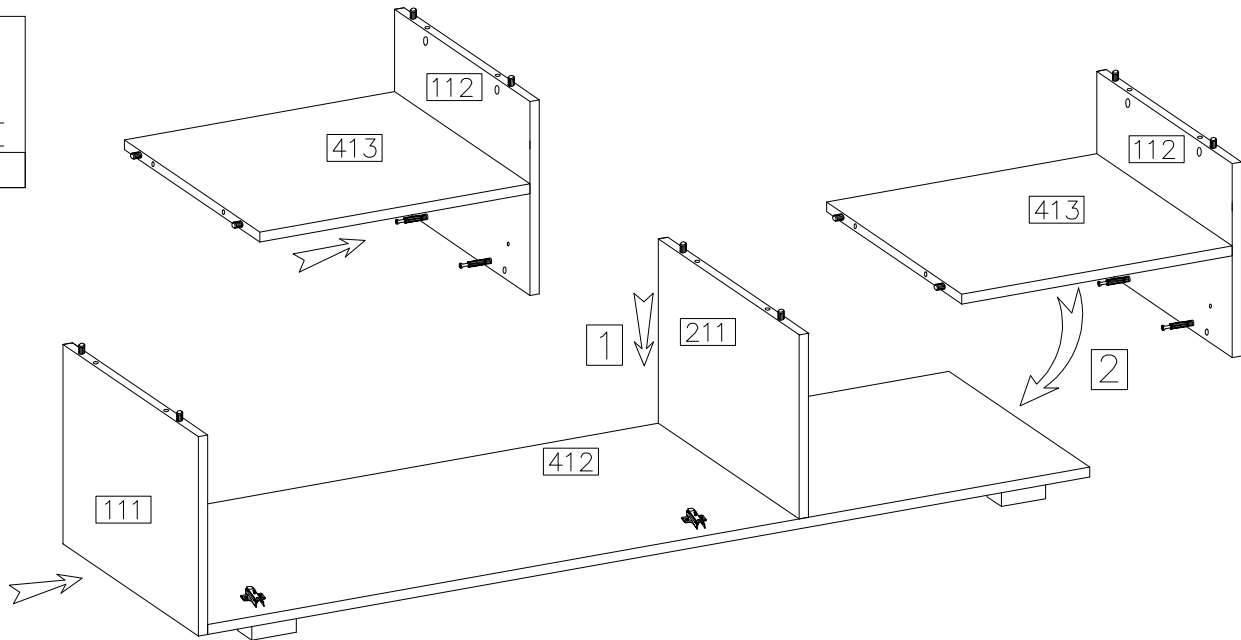
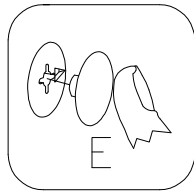
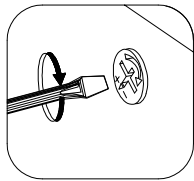
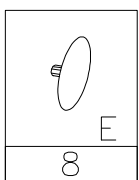


3

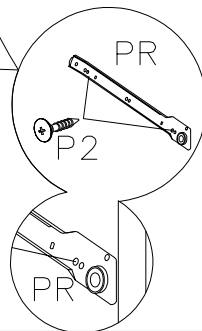
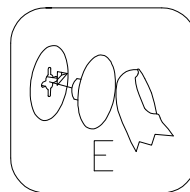
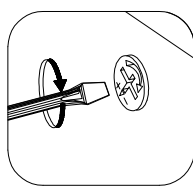
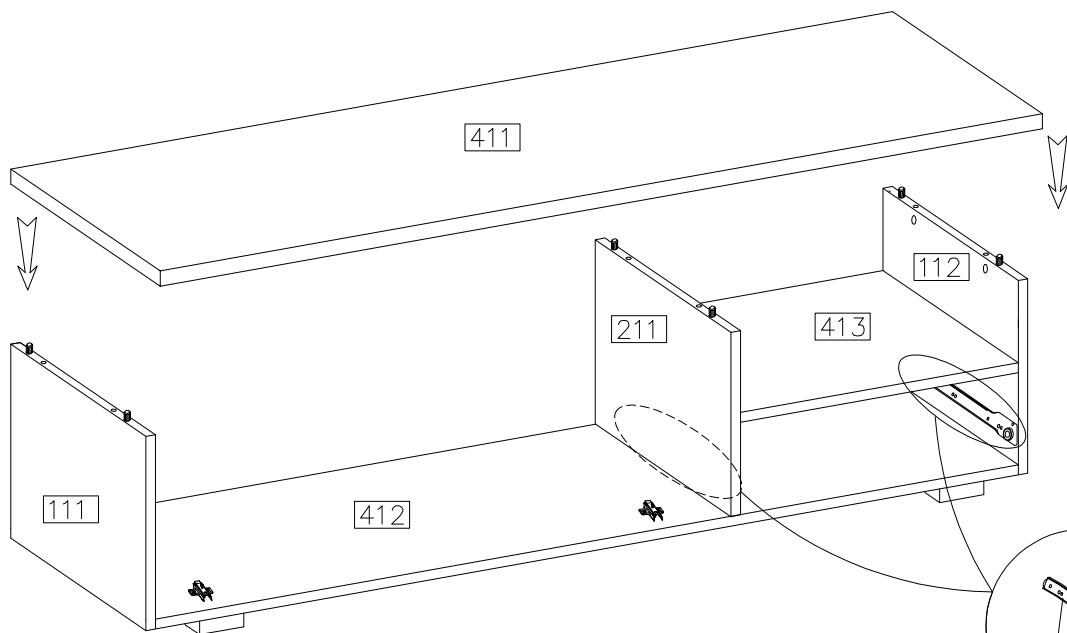
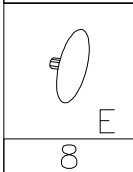
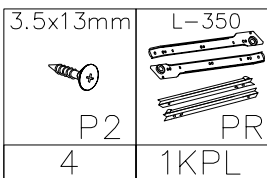
ø8x30 A	ø15/12 C	D1
12	12	4



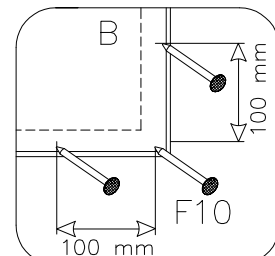
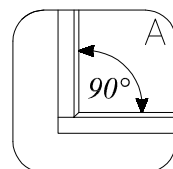
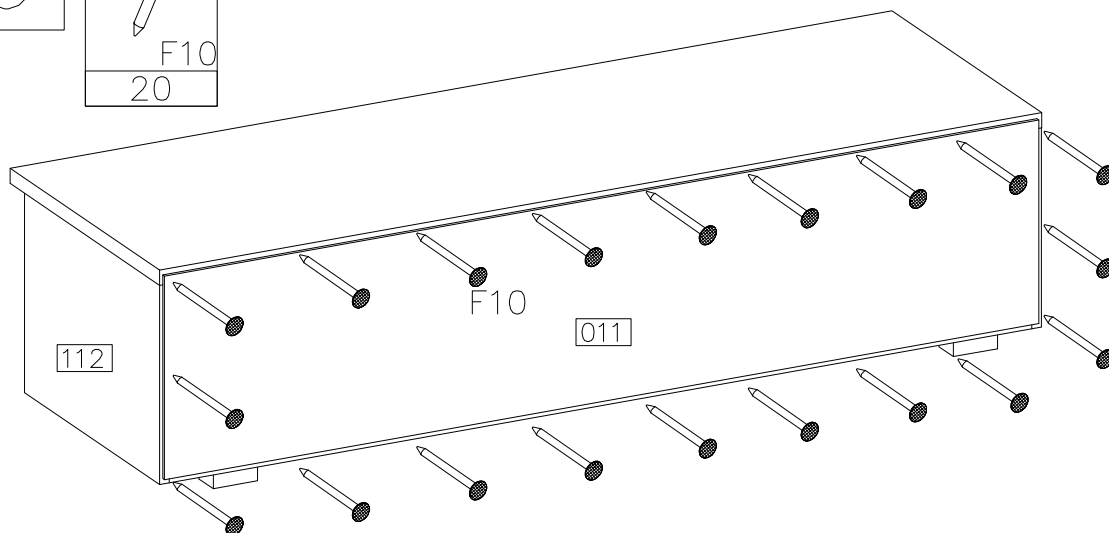
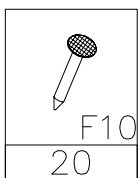
4



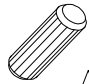

5

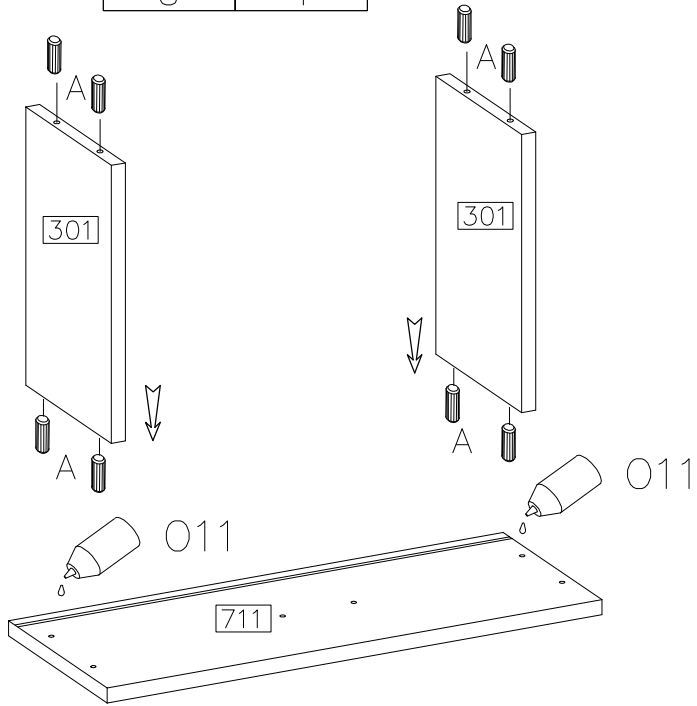


6





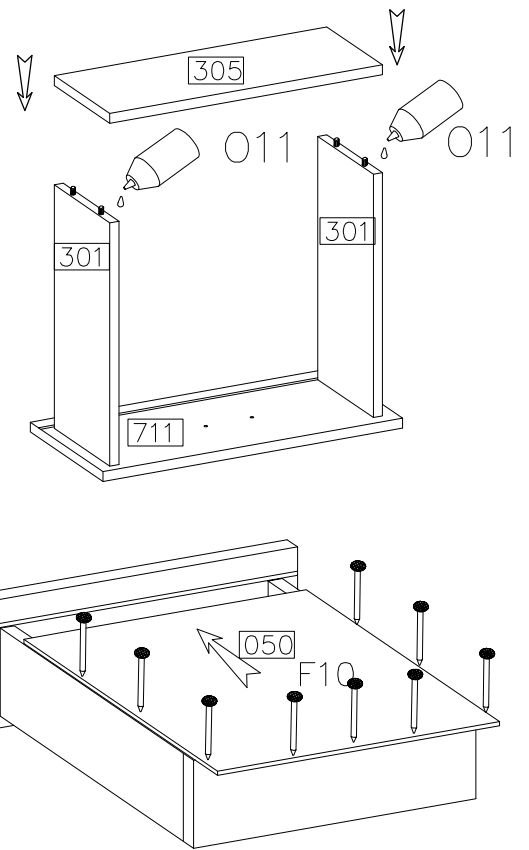
7

$\varnothing 8 \times 30$		
A		O11
8		1





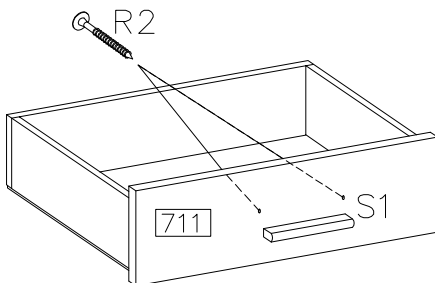
8


F10
10

O11
1

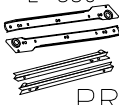



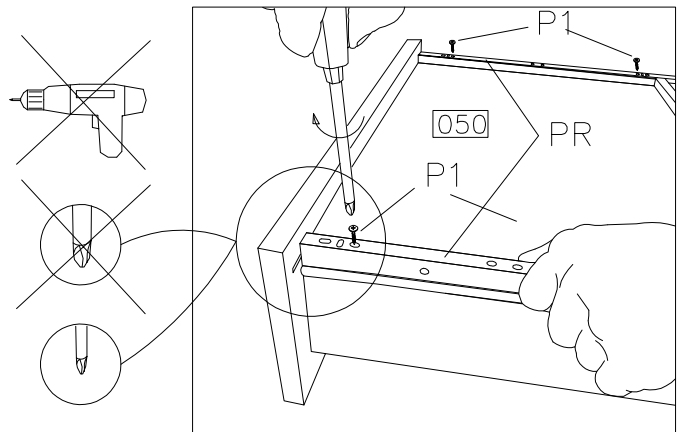
9

	4.0x27mm	
S1		R2
1		2




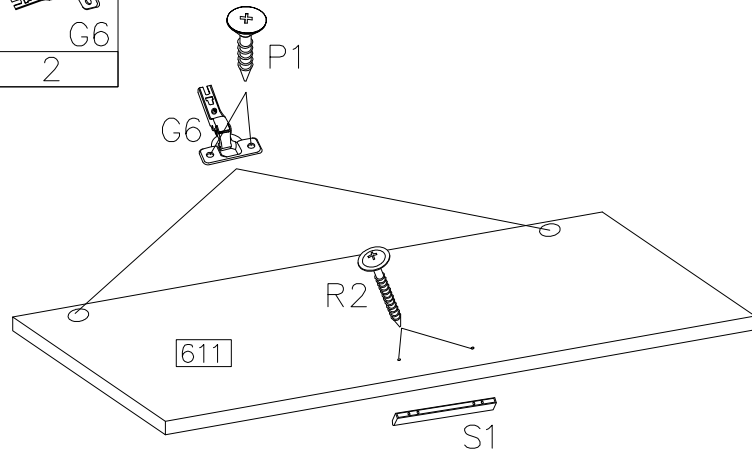
10

	4.0x16mm	
PR		P1
1KPL		4


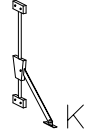



11

	4.0x27mm	4.0x16mm	ø35/KR-0
S1	R2	P1	G6
1	2	4	2



12

		
P2	K	R4
3	1	4

