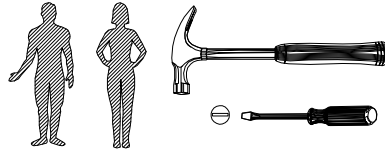
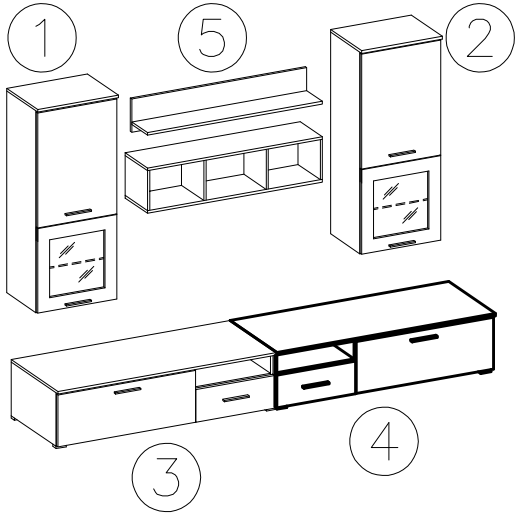
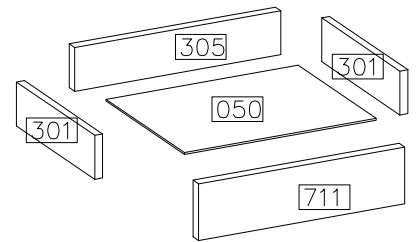
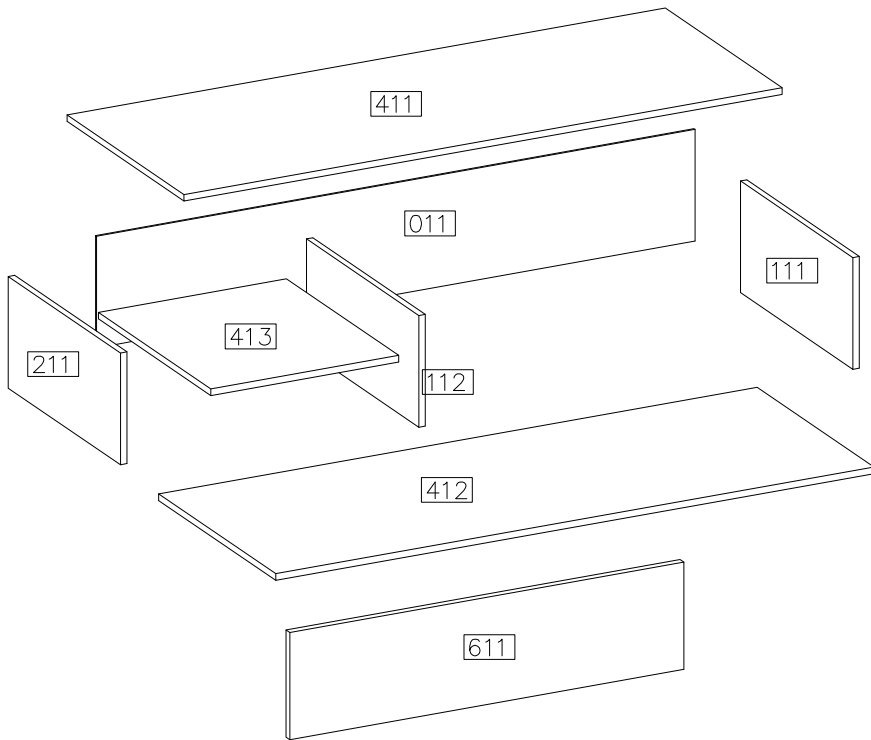
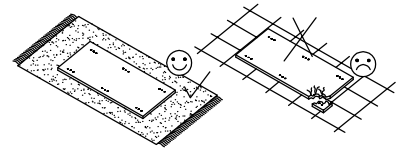
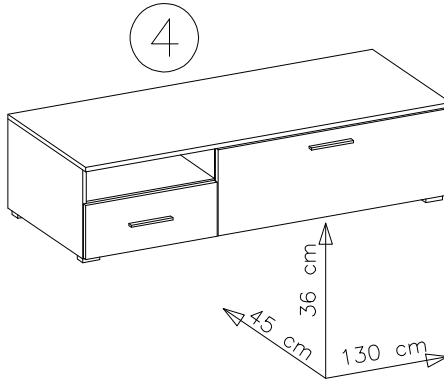


# FRANCO

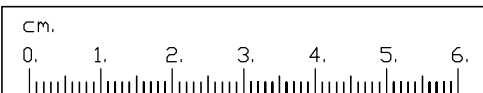
4



#	ART. NR	QUANTITY
1	411	1
2	412	1
3	413	1
4	111	1
5	112	1
6	211	1
7	011	1
8	611	1
9	711	1
10	301	2
11	305	1
12	050	1

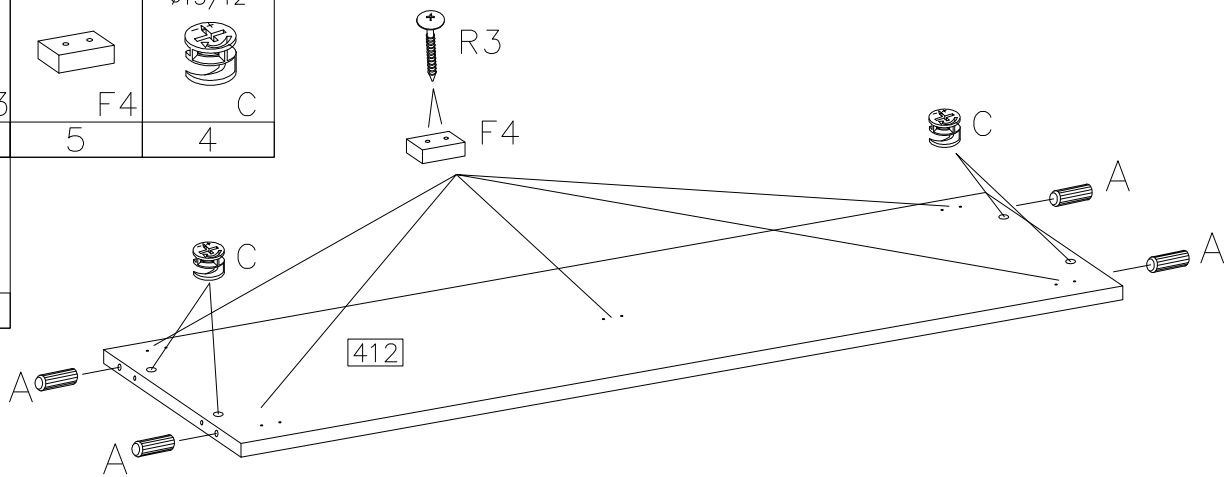


D1	$\phi 15/12$ C	E	$\phi 8 \times 30$ A	4.0x16mm P1	H=0 H4	$\phi 35/KR-0$ G6	F10	L-350 PR
16	16	16	24	8	2	2	30	1KPL
S1	4.0x27mm R2	3.5x13mm P2	K	3.0x20mm R4	4.0x35mm R3	F4	O11	
2	4	7	1	4	10	5	1	



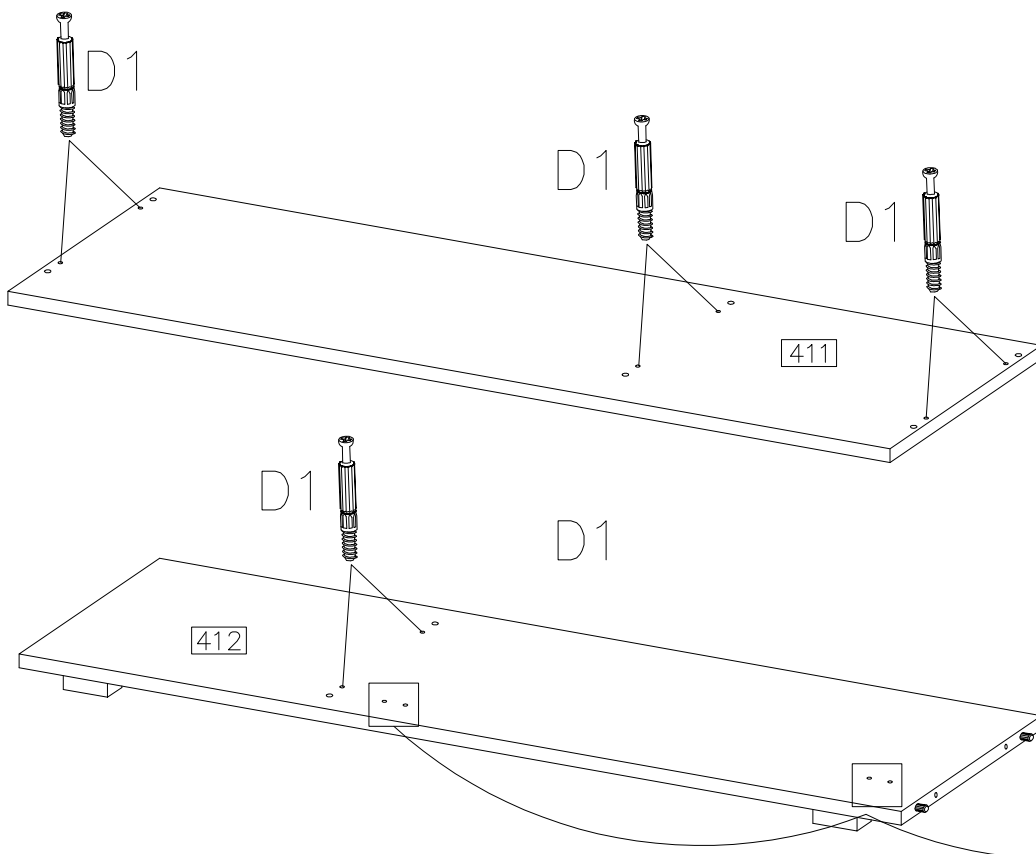
1

4.0x35mm R3	F4	ø15/12 C
10	5	4
ø8x30 A		
4		



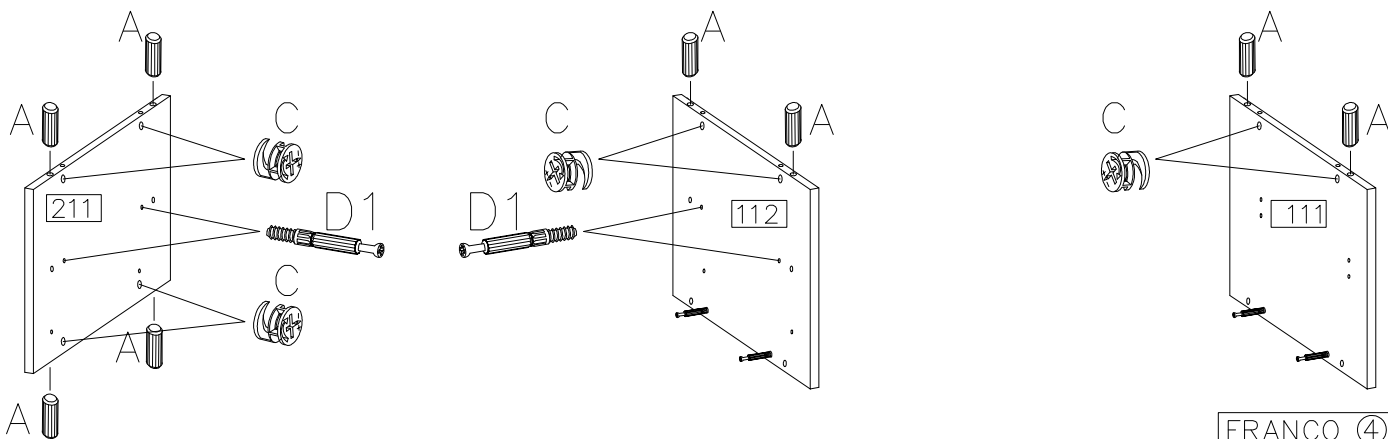
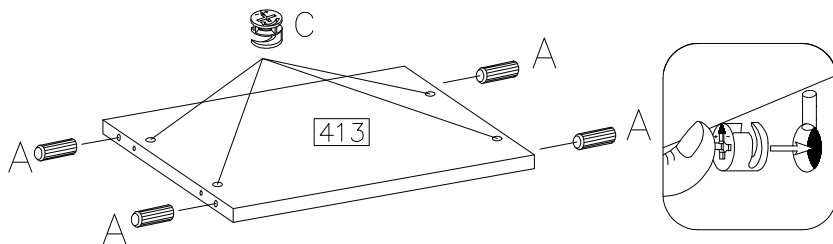
2

D1	H=0 H4
8	2

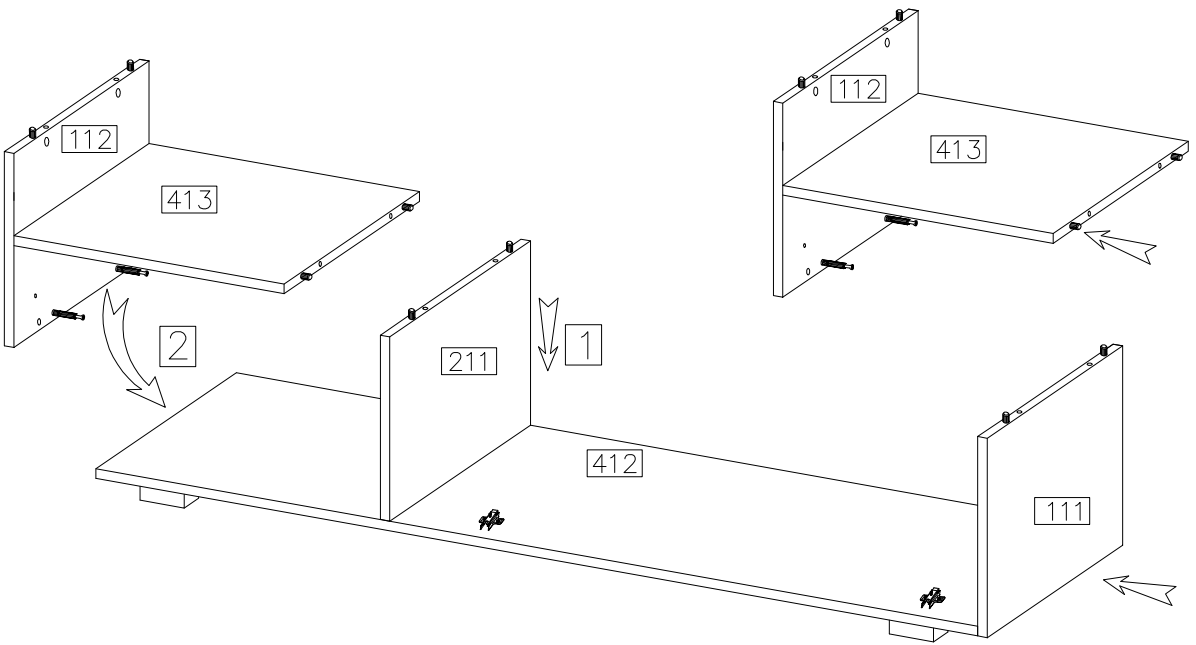
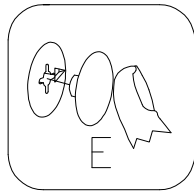
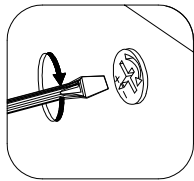
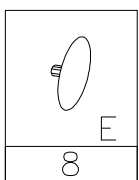


3

ø8x30 A	ø15/12 C	D1
12	12	4

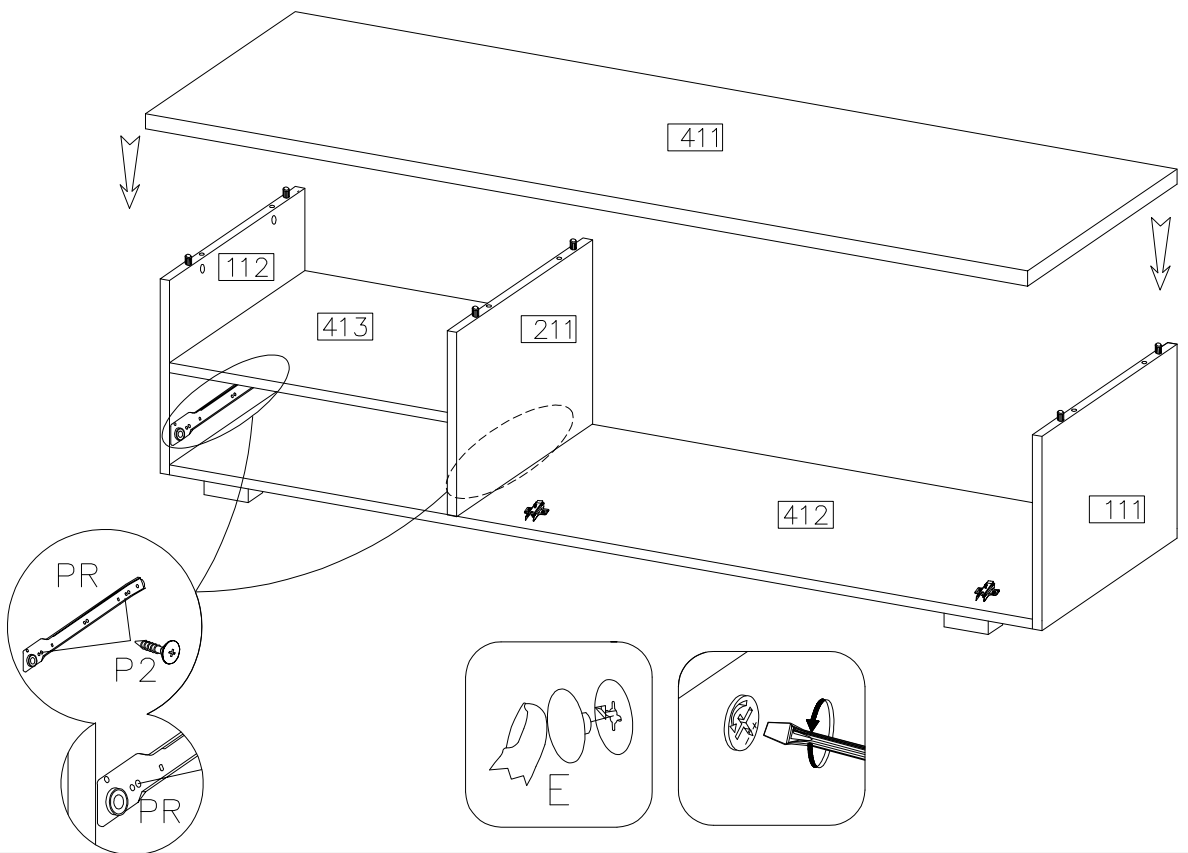
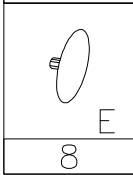


4

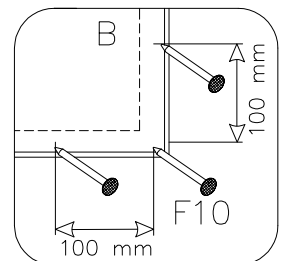
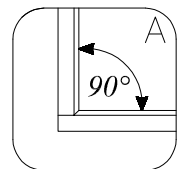
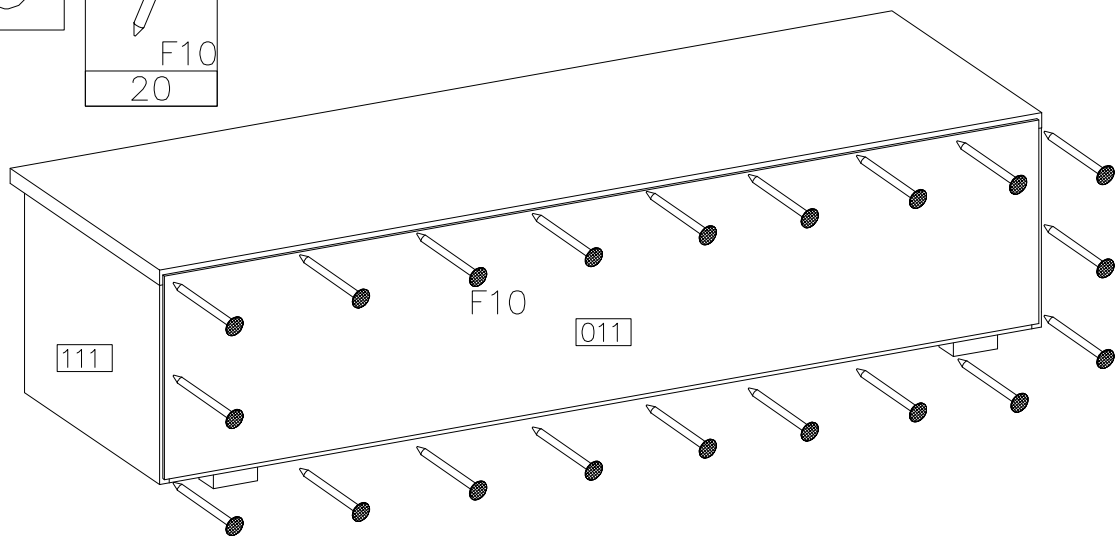
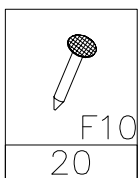


5

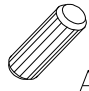

3.5x13mm	L-350
P2	PR
4	1KPL

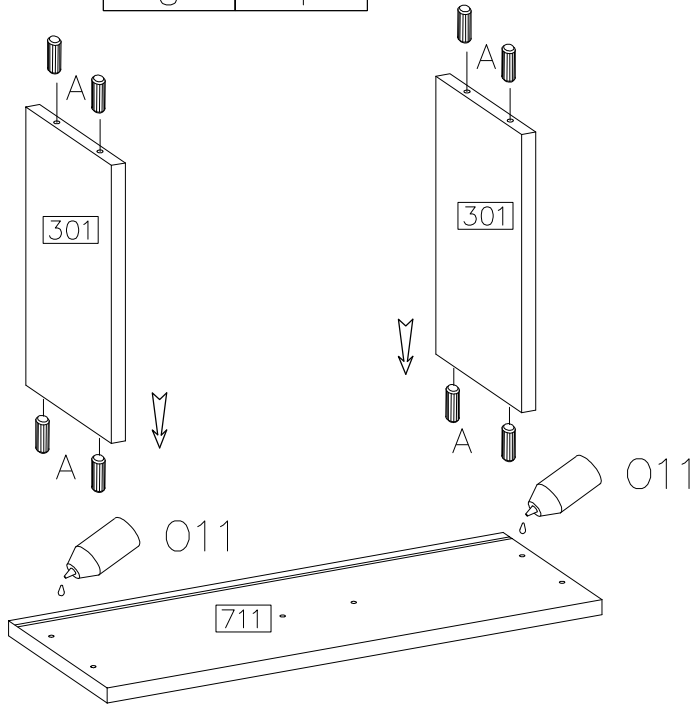


6





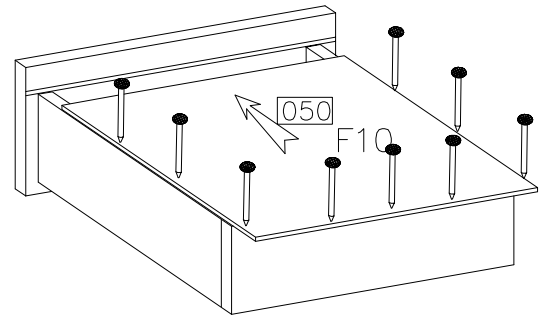
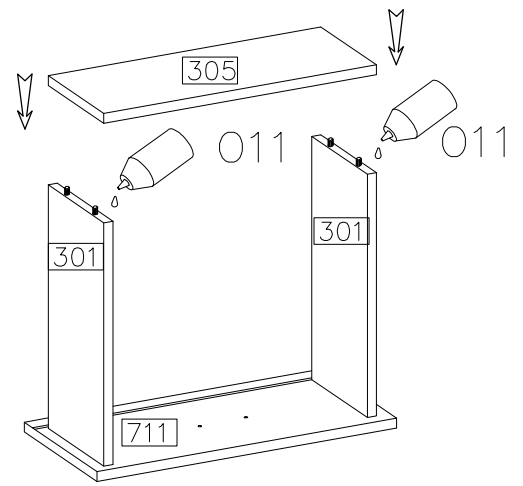
7

$\varnothing 8 \times 30$		
A	8	O11
	1	





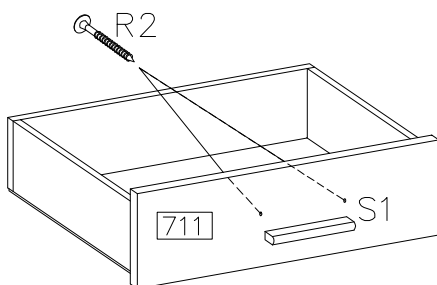
8

	F10
10	
	O11
1	

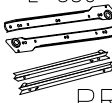



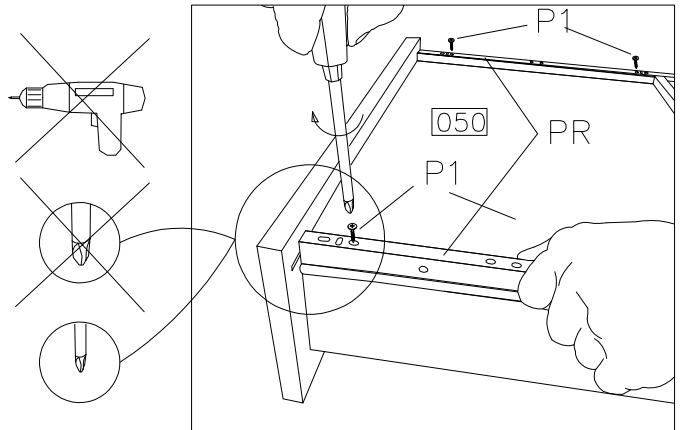
9

	4.0x27mm
S1	
1	R2



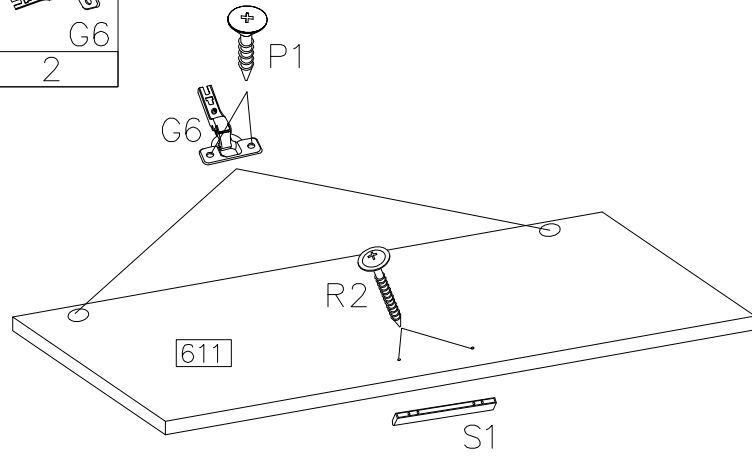
10

	L-350	4.0x16mm
PR		P1
1KPL	4	



11

	4.0x27mm	4.0x16mm	ø35/KR-0
S1	R2	P1	G6
1	2	4	2



12

3.5x13mm		3.0x20mm
P2	K	R4
3	1	4

