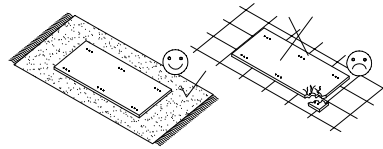
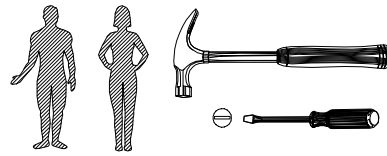
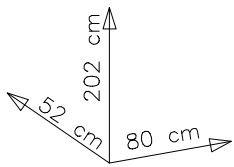
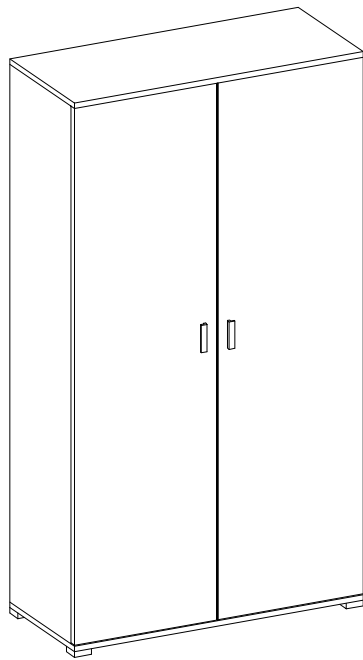
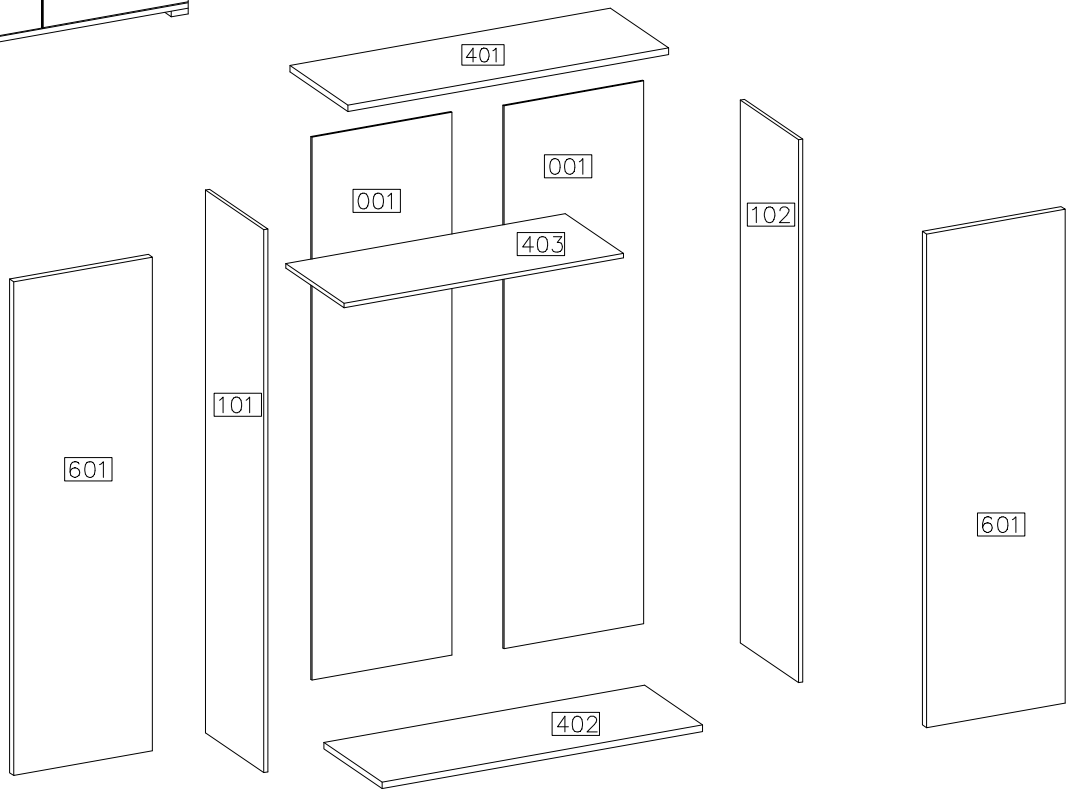


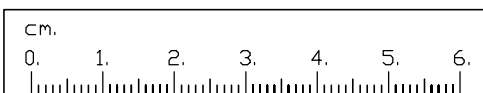
NELLY – SZAFKA



#	ART. NR	QUANTITY
1	401	1
2	402	1
3	403	1
4	101	1
5	102	1
6	001	2
7	601	2



	ø15/12mm		ø8x30mm	H=0	ø35/KR-0	3.5x13mm	ø4.0x16mm		4.0x27mm	
D1	C	E	A	H4	G6	P2	P1	S1	R2	O12
12	12	12	16	6	6	4	12	2	4	1
	4.0x35mm									
F10	R3	F4	O10							
50	8	4	2							



1

4.0x35mm



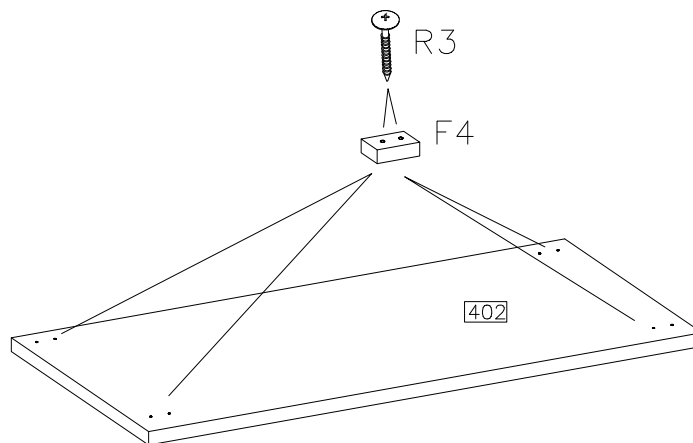
R3

8



F4

4

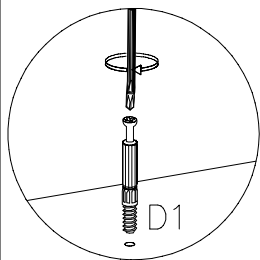
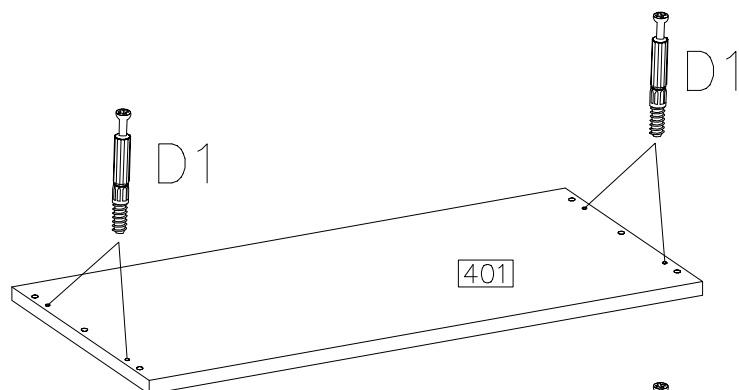


2



D1

8



3

ø15/12mm

ø8x30mm



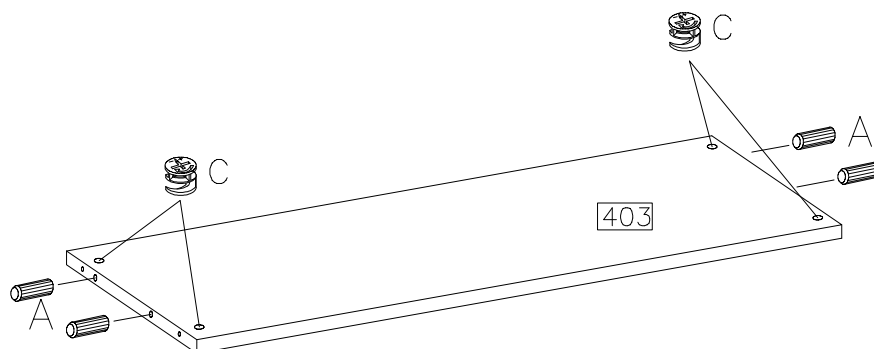
C

4


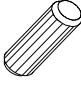
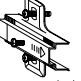





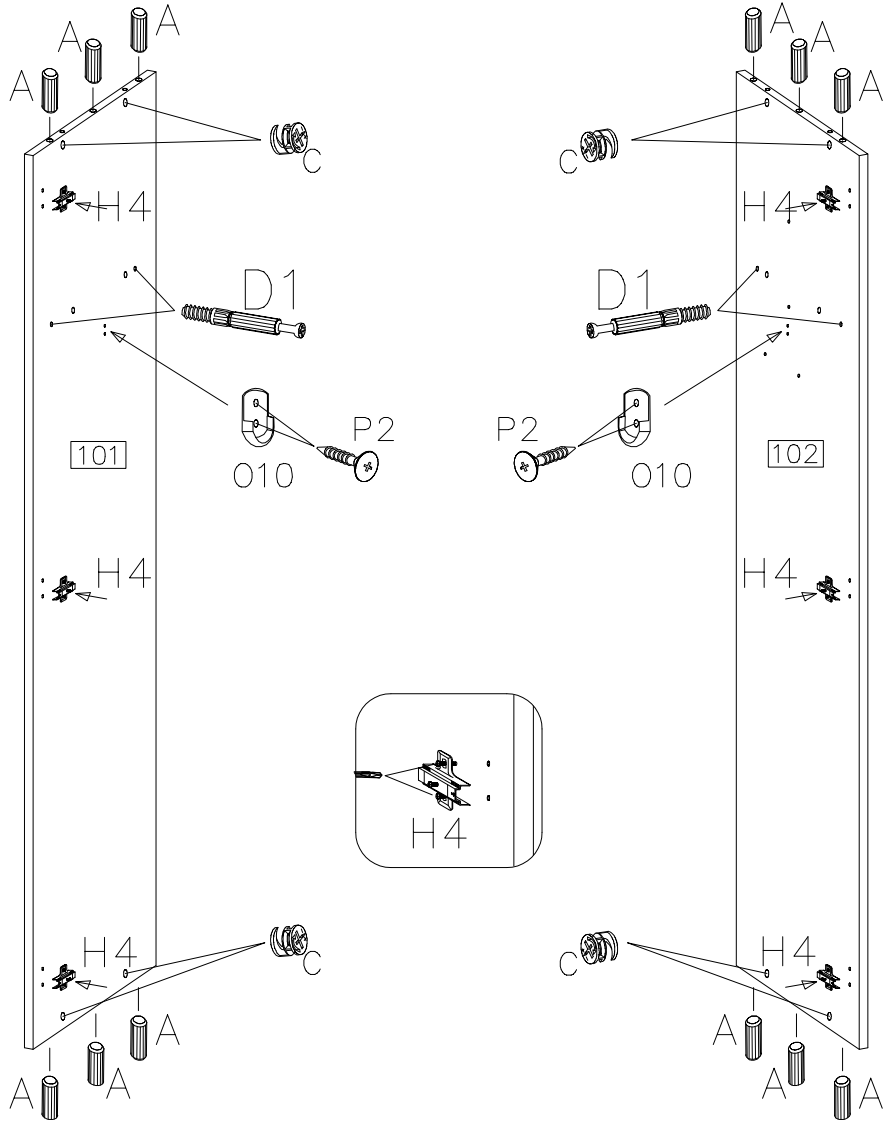
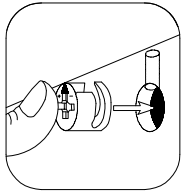
A

4

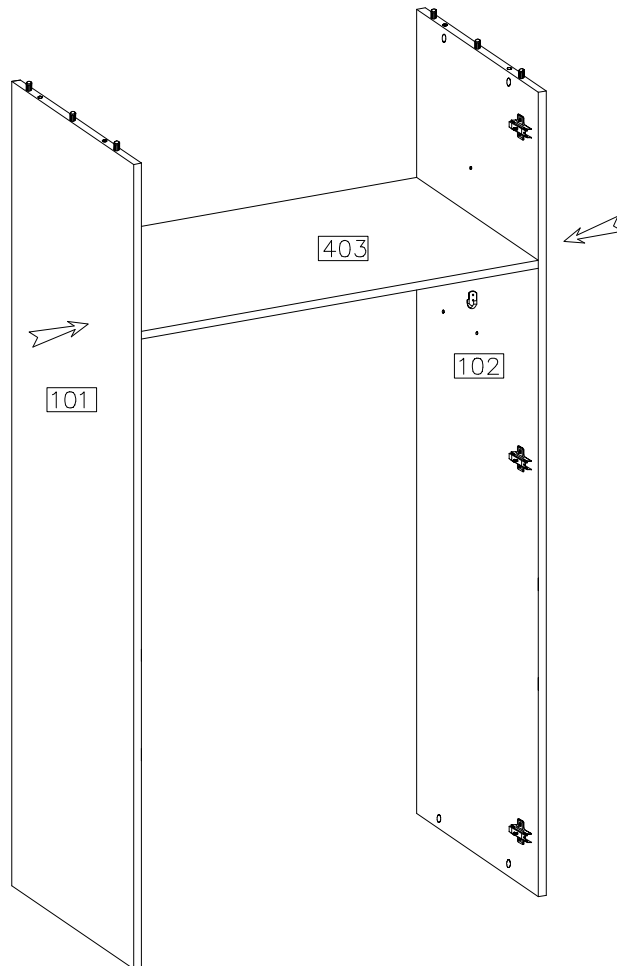
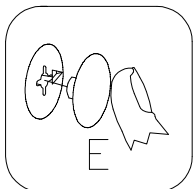
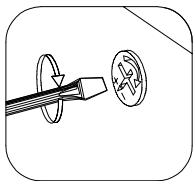
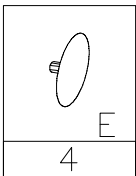


4

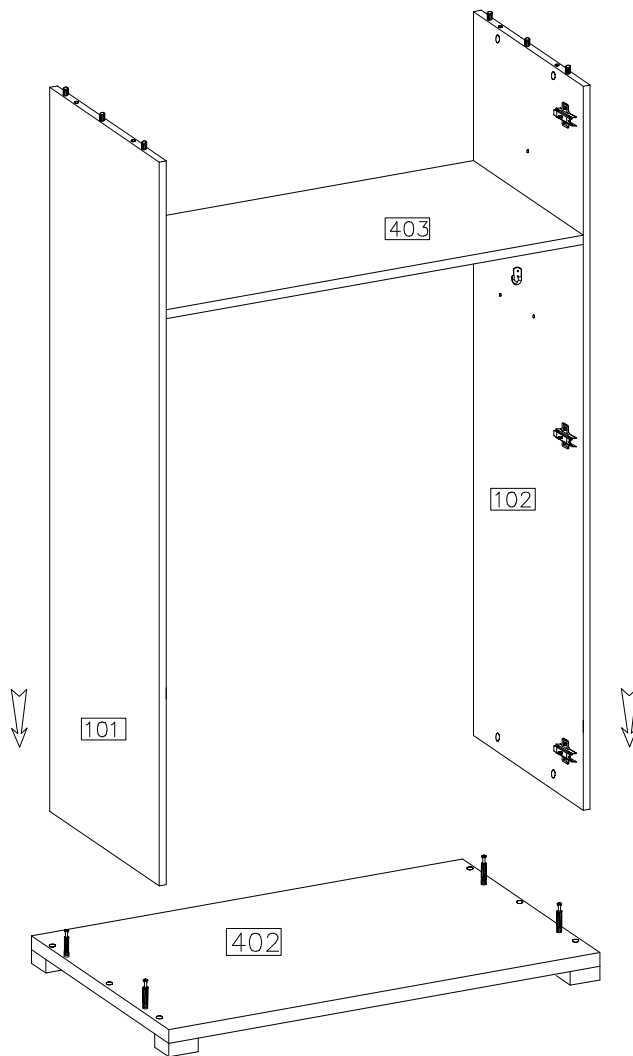
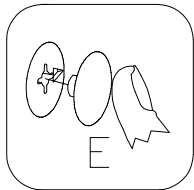
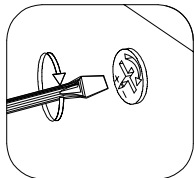
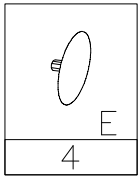
 D1	$\varnothing 8 \times 30 \text{mm}$  A
4 H=0	12
 H4	 O10
6	2
3.5x13mm  P2	$\varnothing 15/12 \text{mm}$  C
4	8



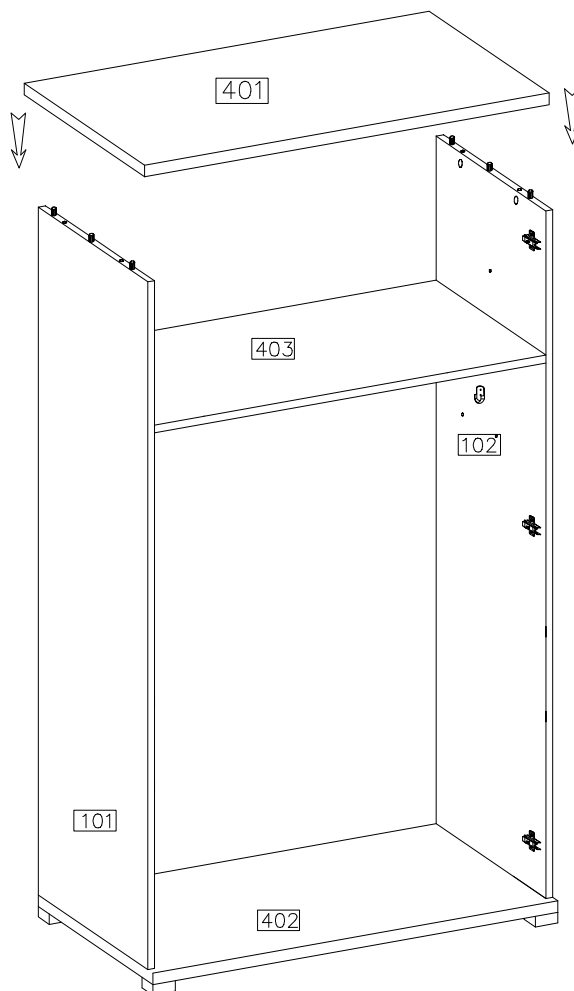
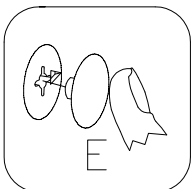
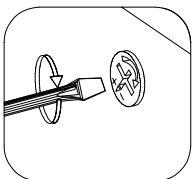
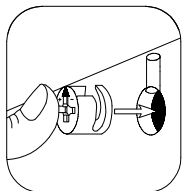
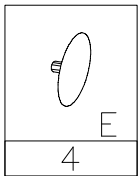
5



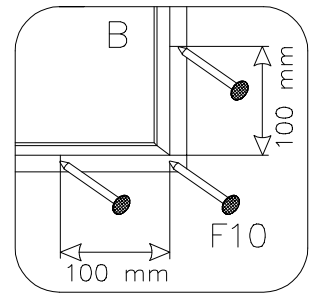
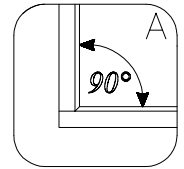
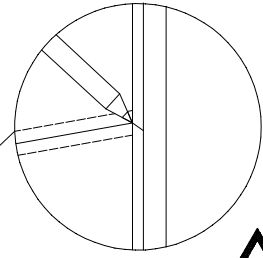
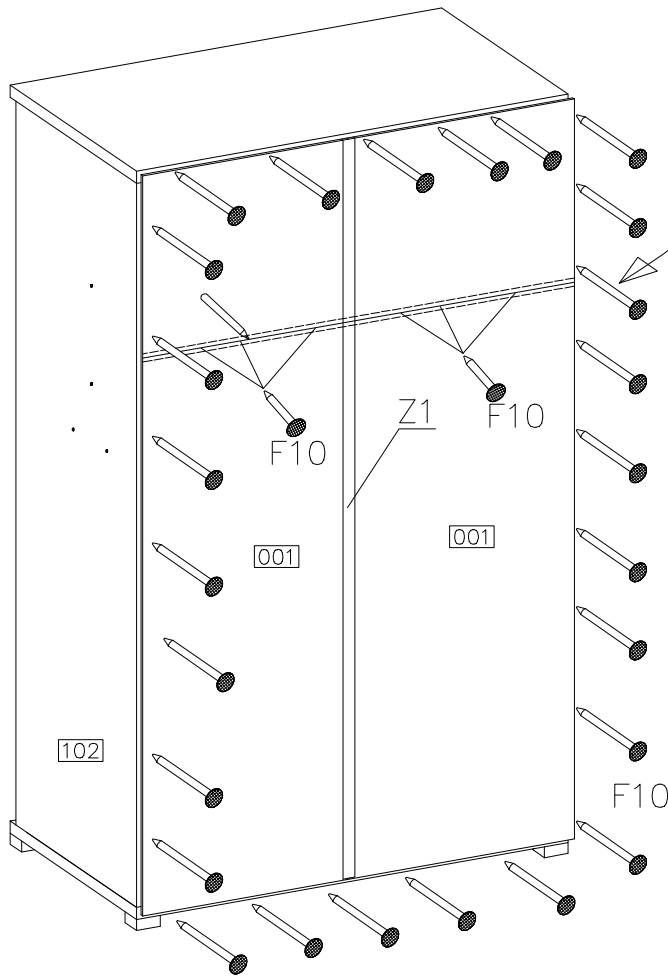
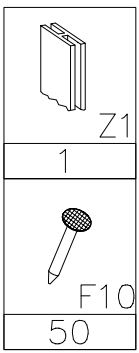
6



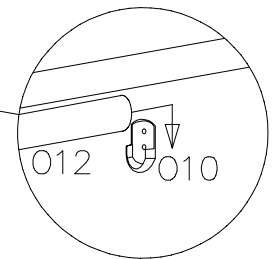
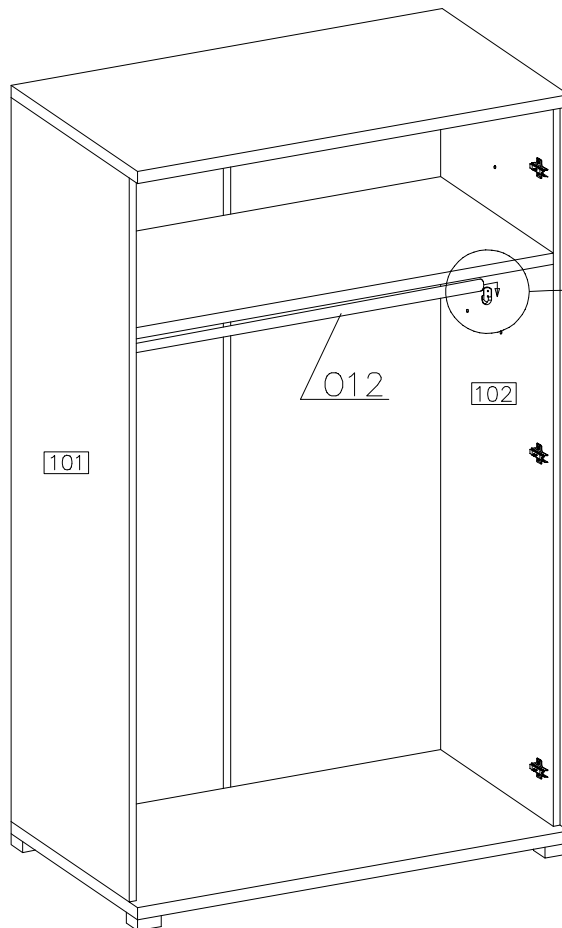
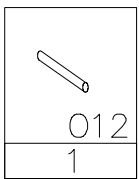
7



8

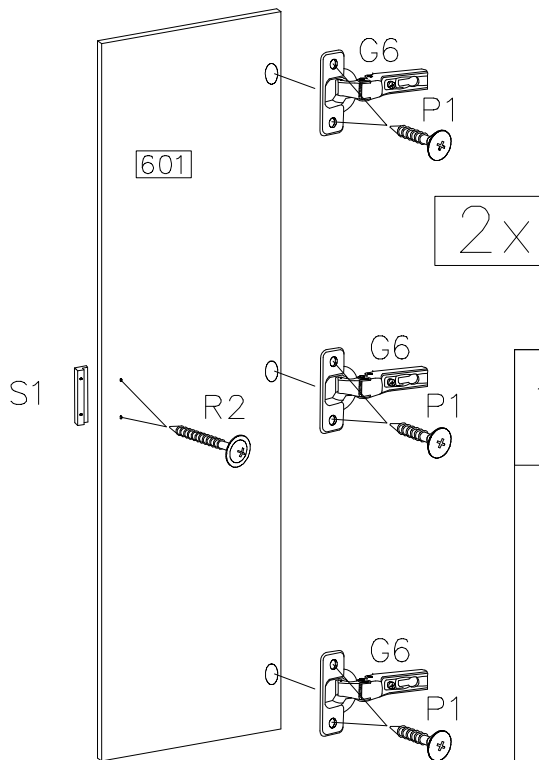
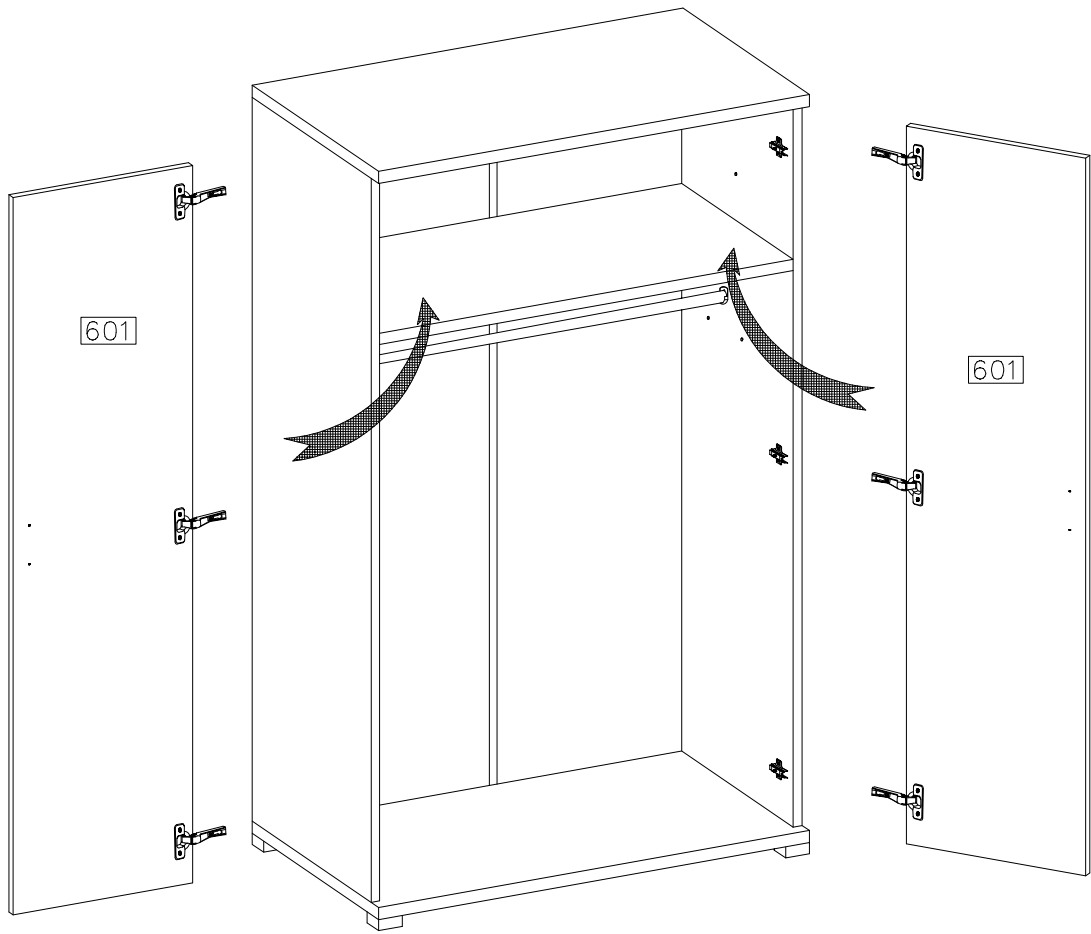


9

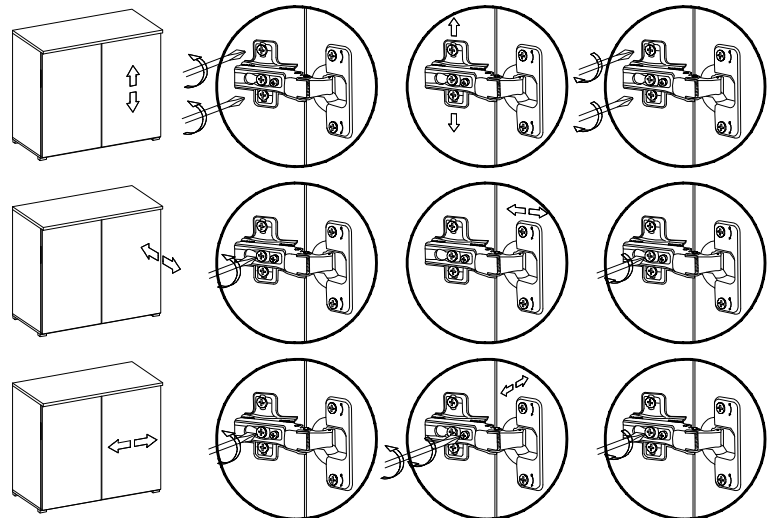


10

∅35/KR-0 G6 6	∅4.0x16mm P1 12	S1 2	4.0x27mm R2 4
---------------------	-----------------------	---------	---------------------



11



NELLY

