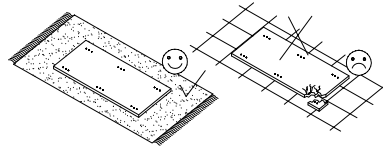
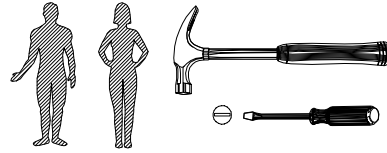
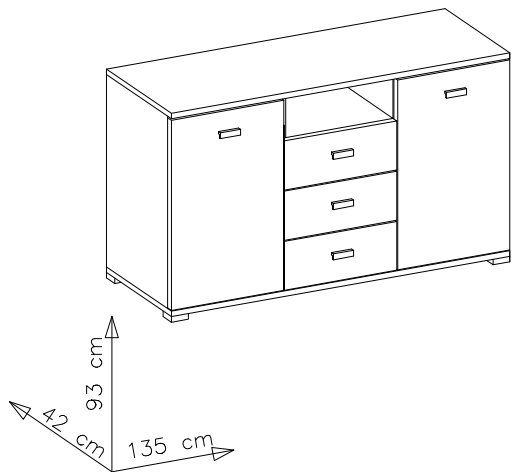
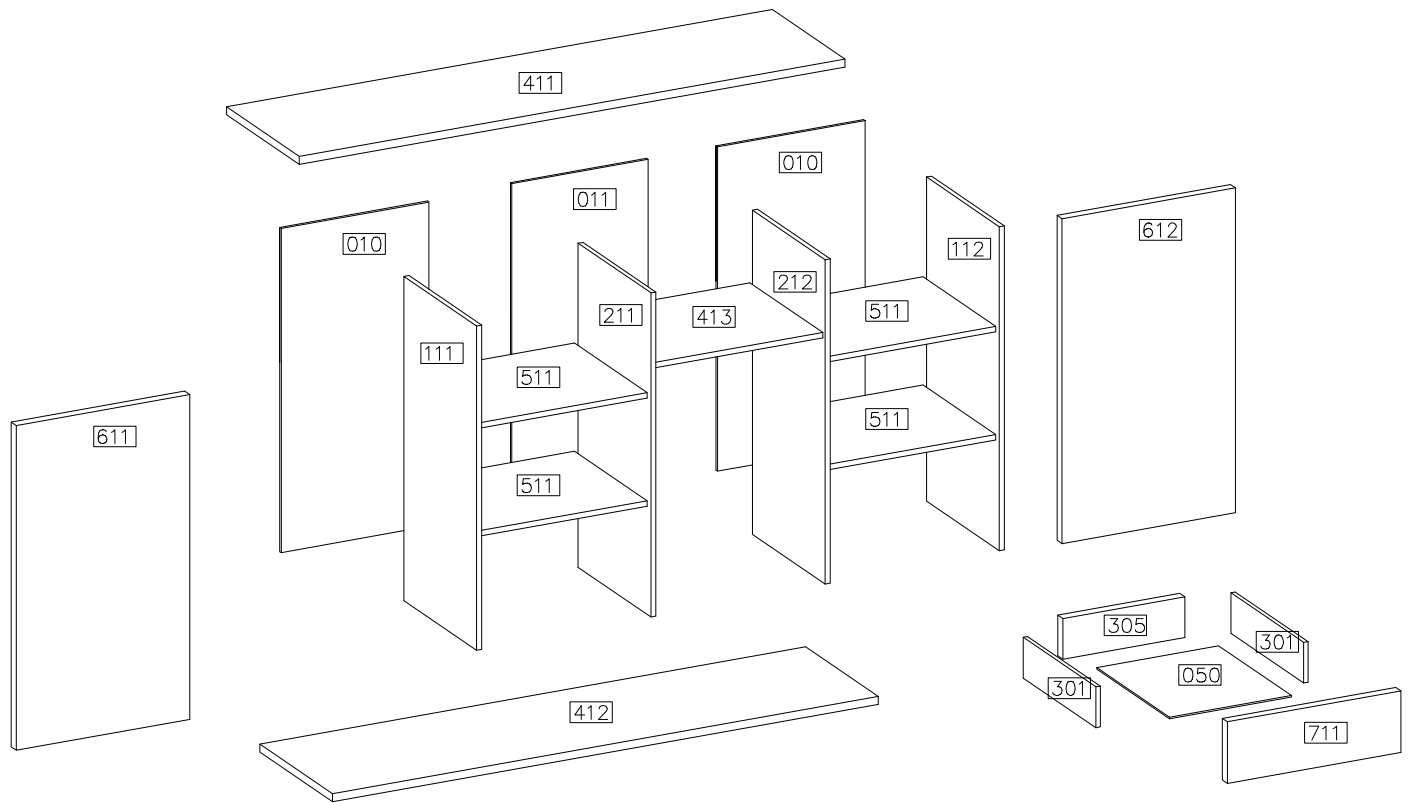


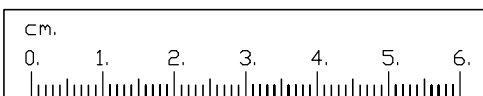
NELLY KOMODA 135



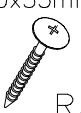
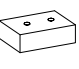
#	ART. NR	QUANTITY
1	411	1
2	412	1
3	413	1
4	111	1
5	112	1
6	211	1
7	212	1
8	611	1
9	612	1
10	511	4
11	711	3
12	301	6
13	305	3
14	050	3
15	010	2
16	011	1

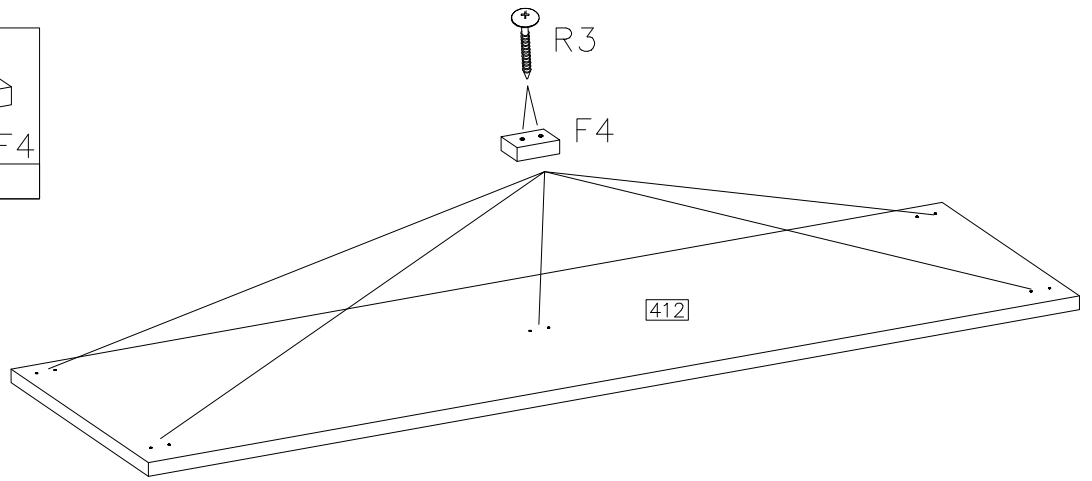


	ø15/12mm 		ø8x30mm 	H=0 	ø35/KR-0 	3.5x13mm 	ø4.0x16mm 		4.0x27mm
20	20	20	44	4	4	12	20	5	10
	4.0x35mm 		L-350 						
60	10	5	3KPL	1	10	16			




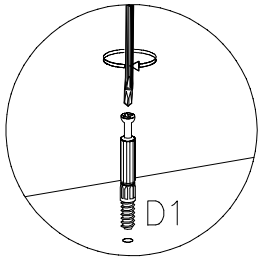
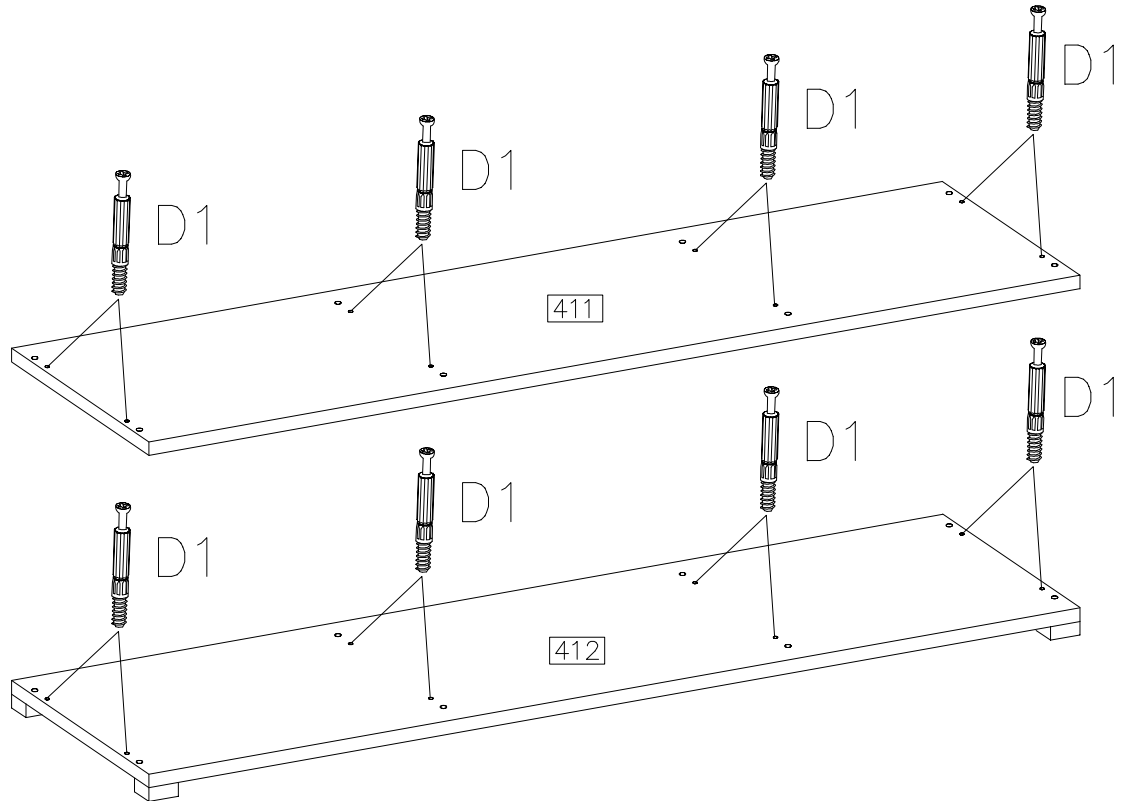
1

4.0x35mm	
	
R3	F4
10	5

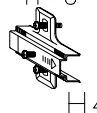
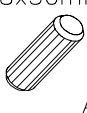




2

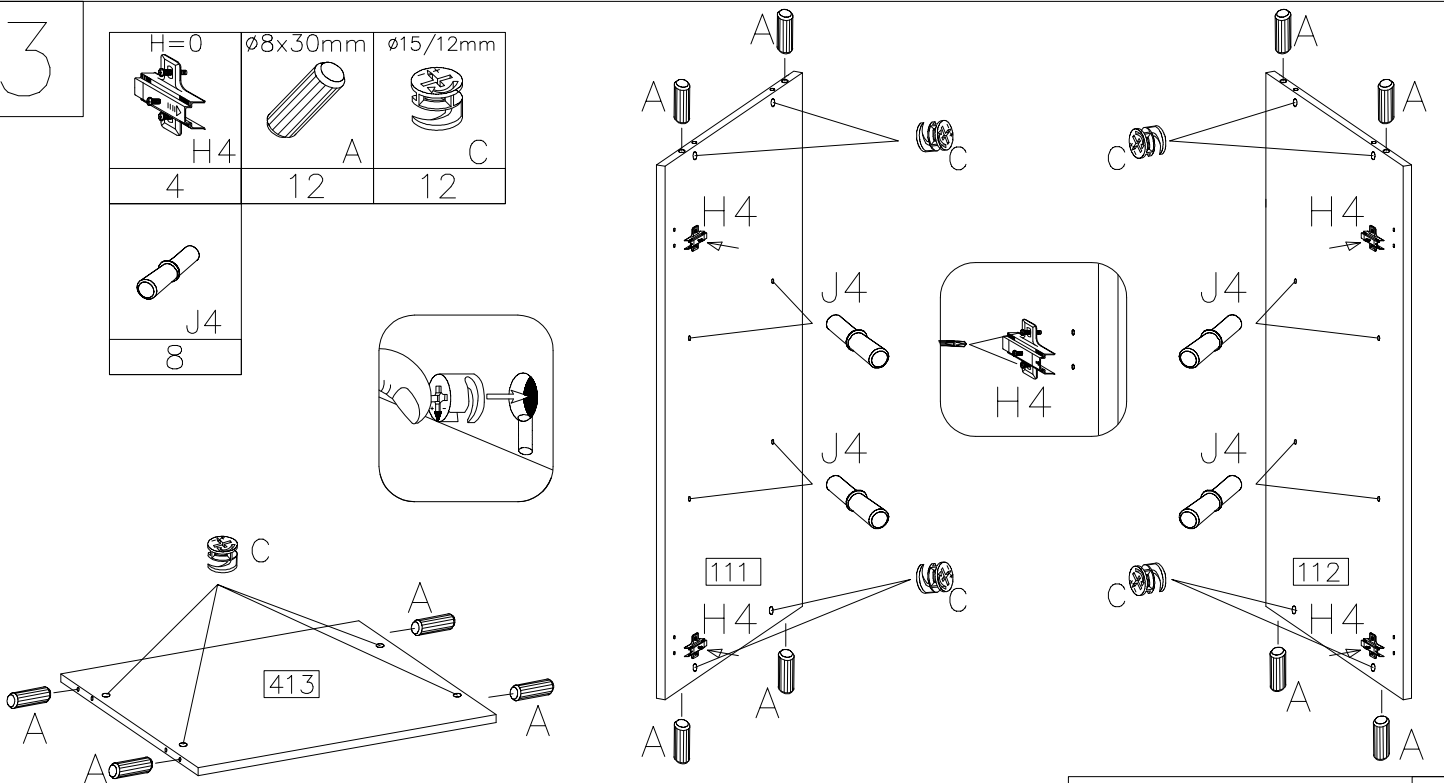
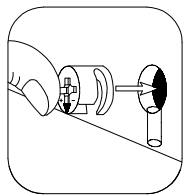

D1
16





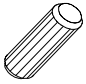

3

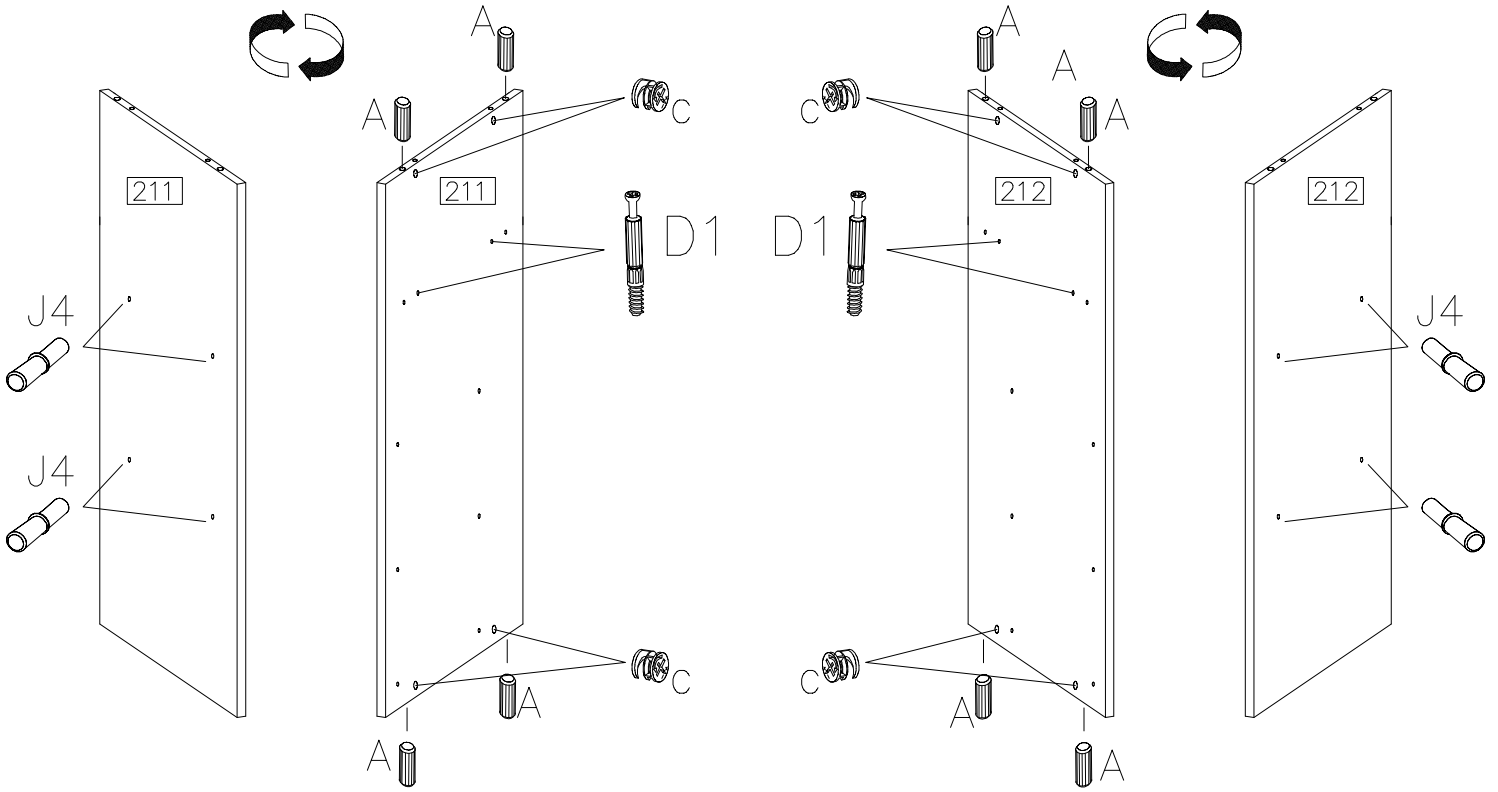
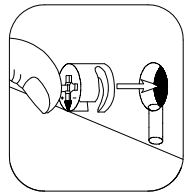
H=0	ø8x30mm	ø15/12mm
		
H4	A	C
4	12	12


J4
8

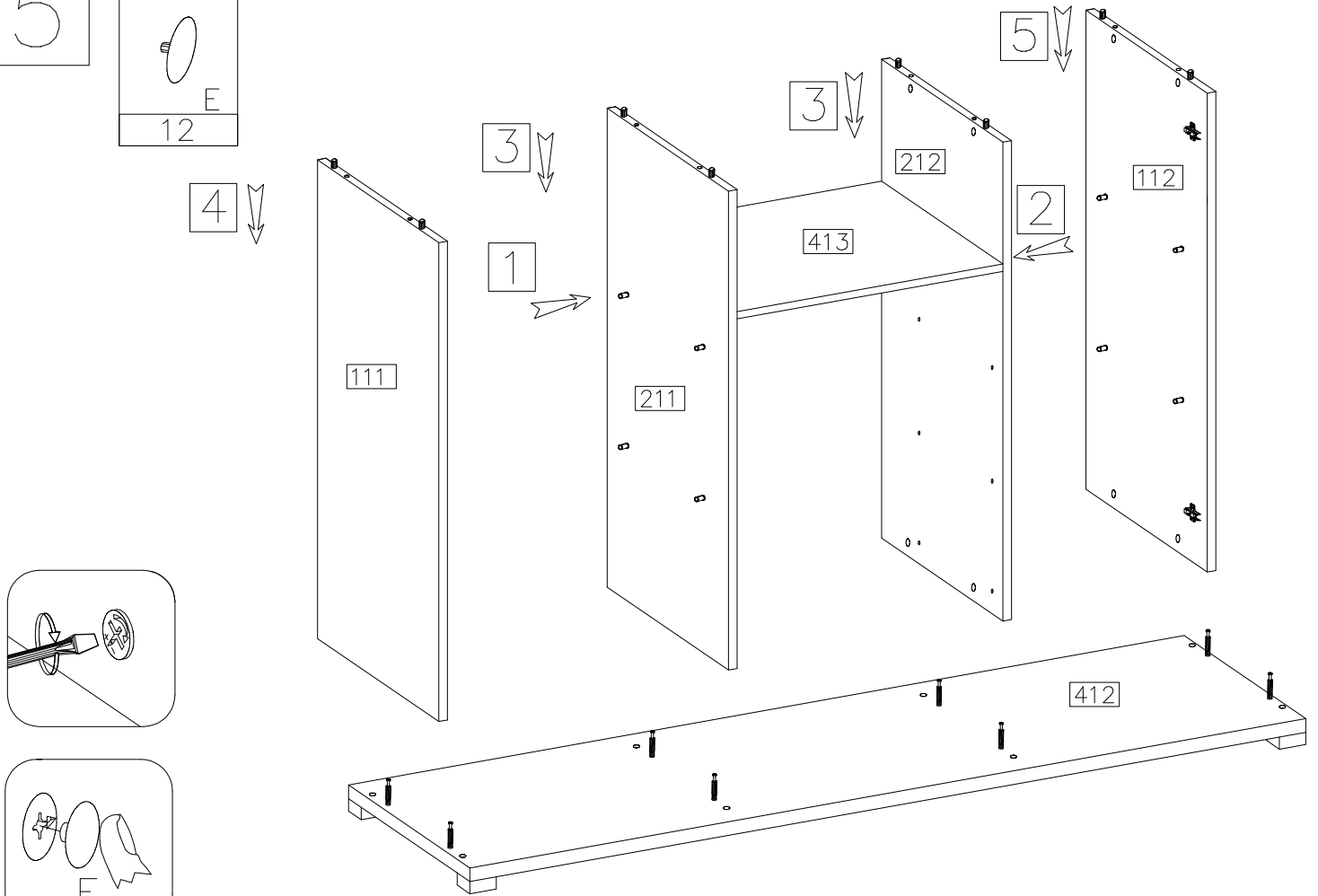
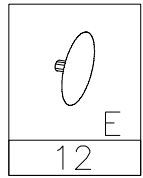


4




	$\varnothing 15/12\text{mm}$ 	$\varnothing 8 \times 30\text{mm}$ 	
D1	C	A	J4
4	8	8	8

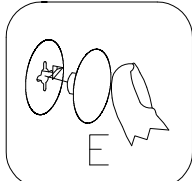
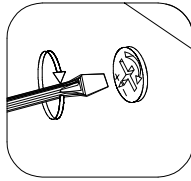
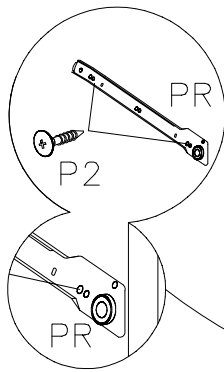
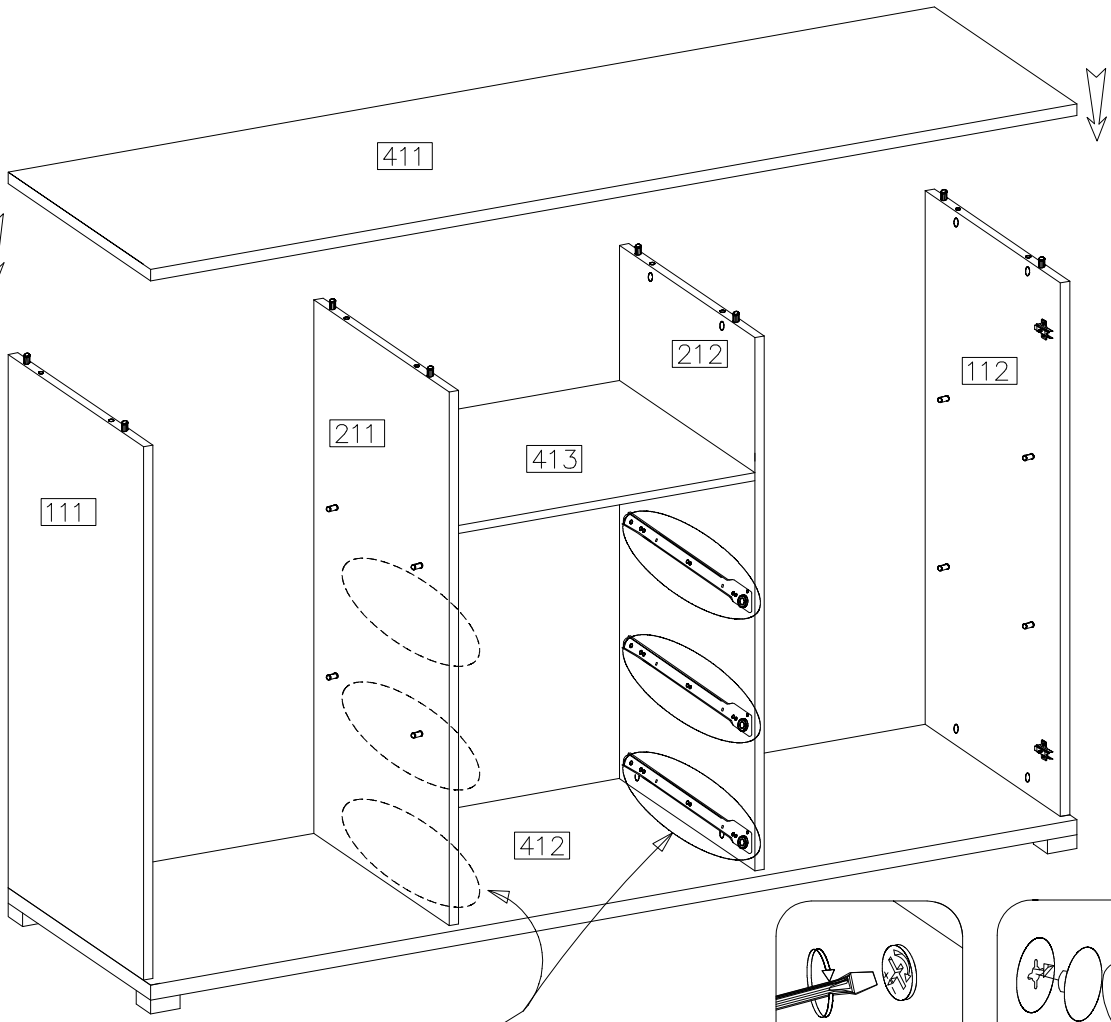


5





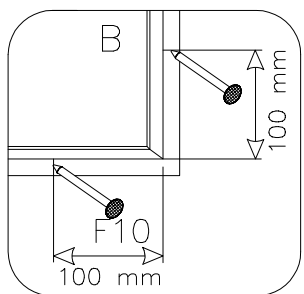
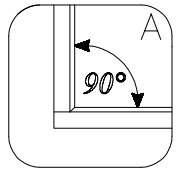
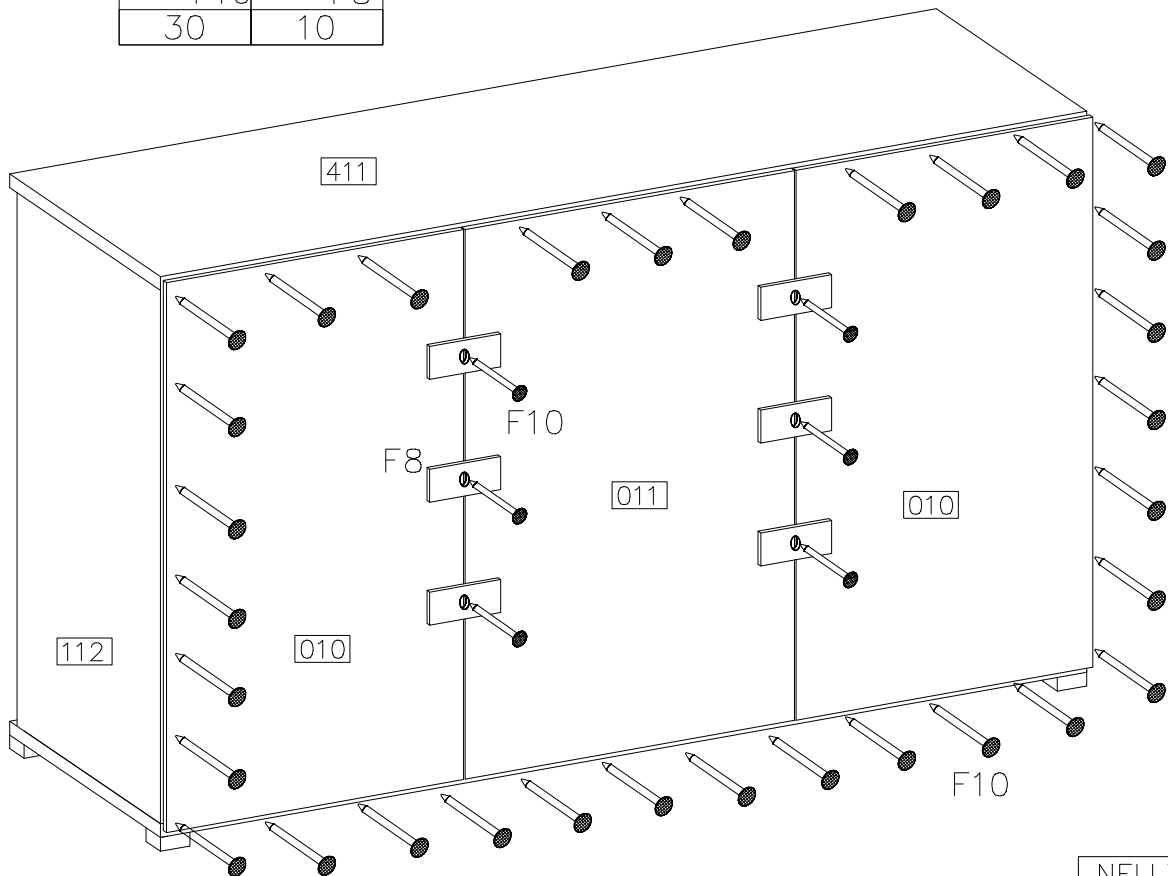
6

	L-350 
E	PR
8	3KPL
3.5x13mm	
	
P2	
12	



7

	
F10	F8
30	10



8



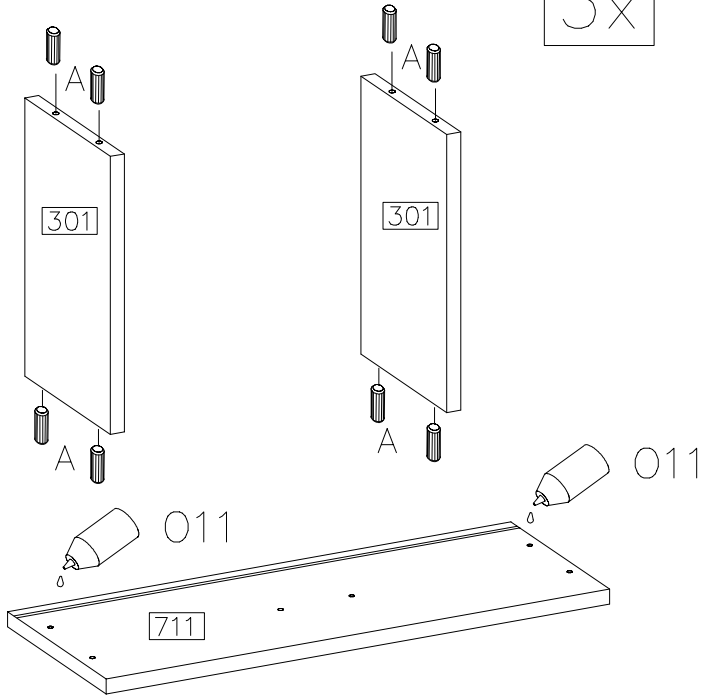
011

ø8x30mm



A

24



9



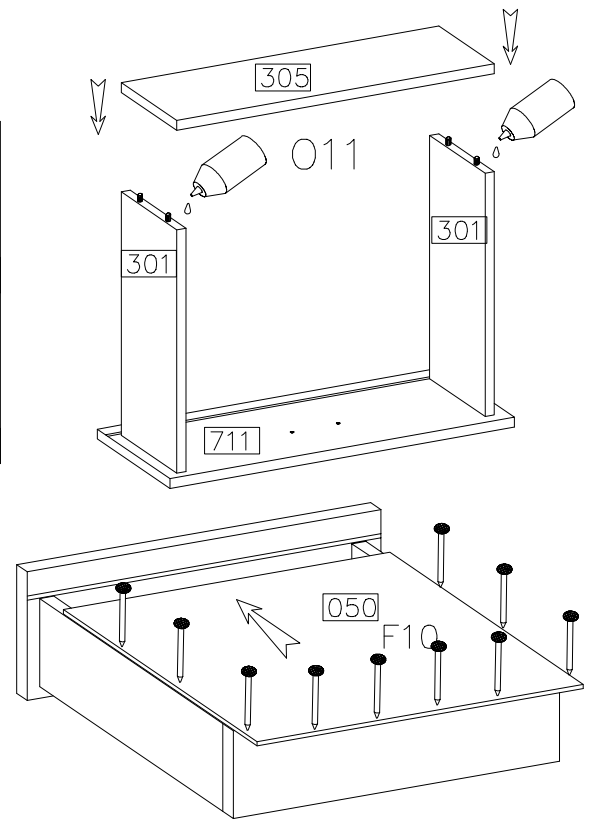
F10

30



011

3x



10



S1

3

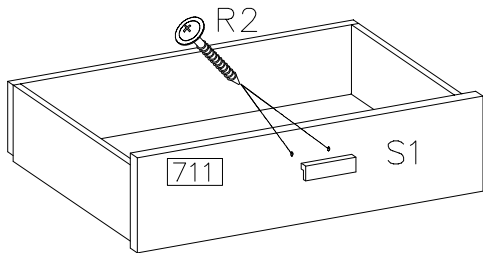
4.0x27mm



R2

6

3x



11

L-350

PR

3KPL

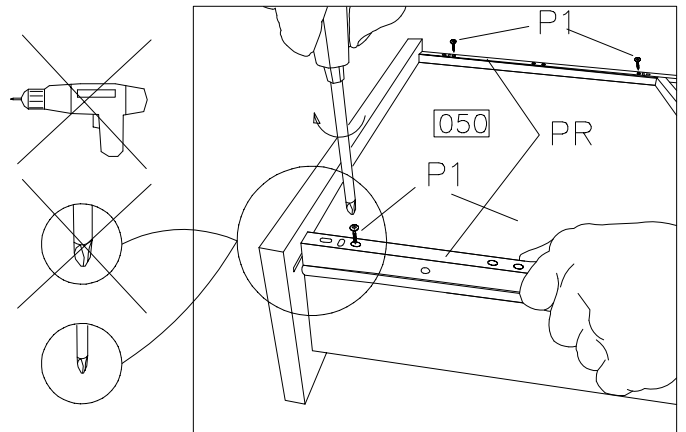
ø4.0x16mm



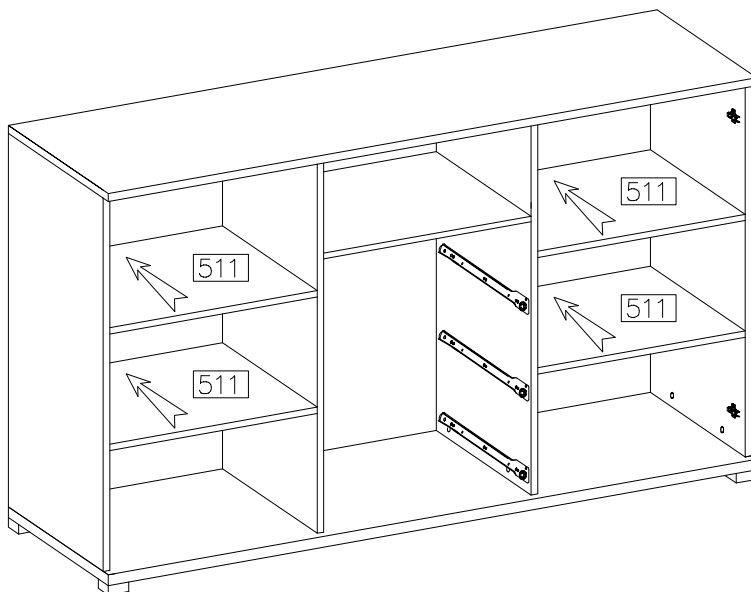
P1

12

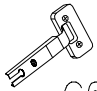

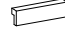

3x

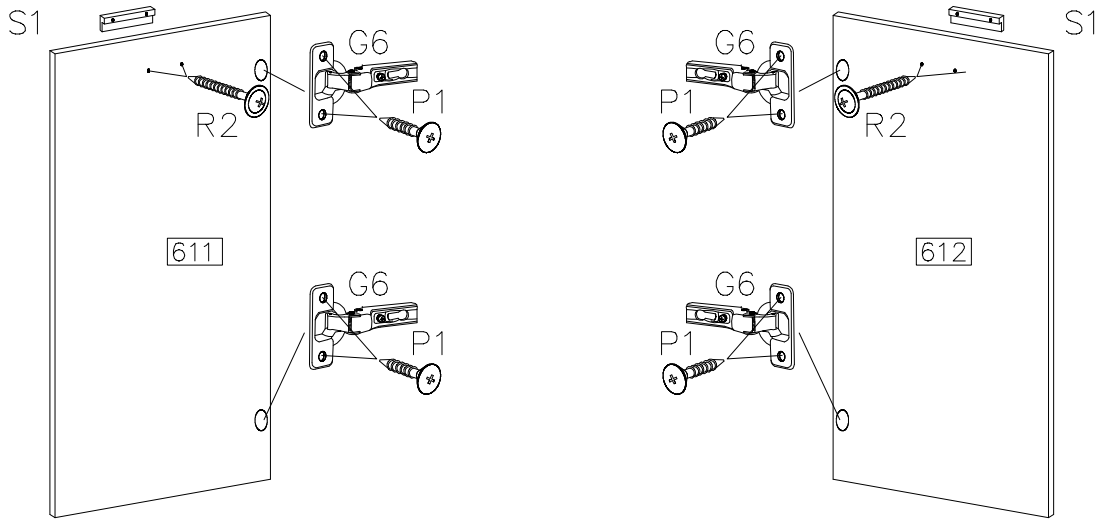


12

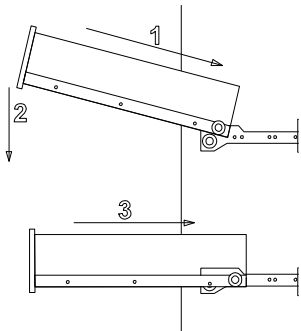
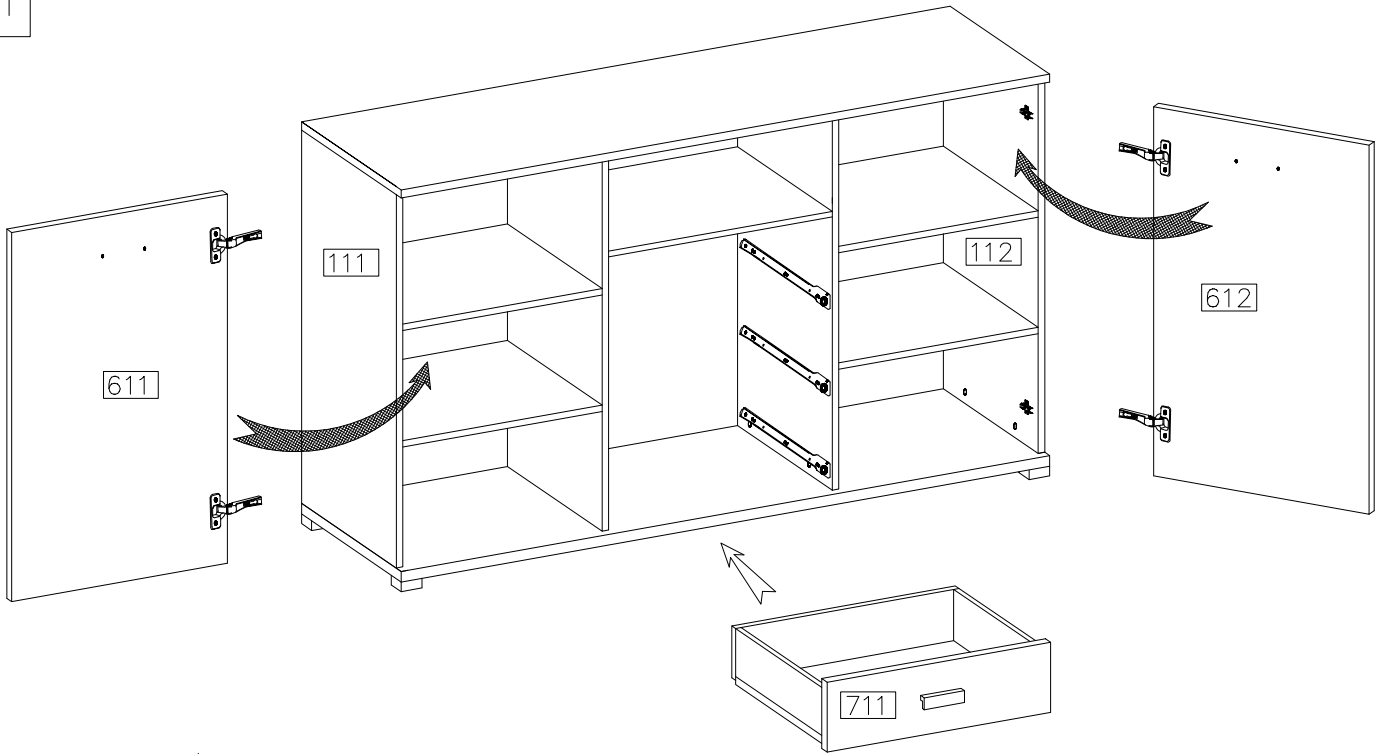


13

 G6 4	 P1 8	 S1 2	 R2 4
---	---	--	---



14



15

