
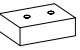
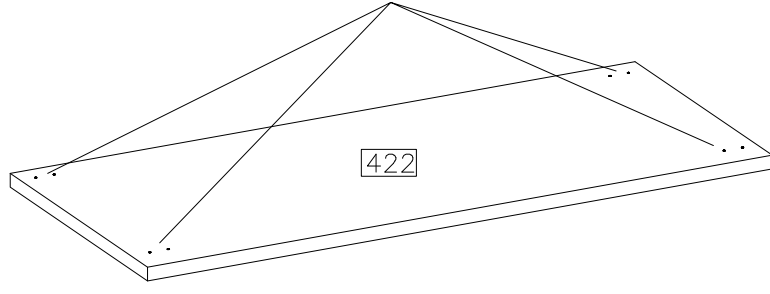
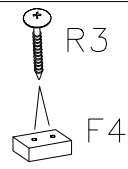



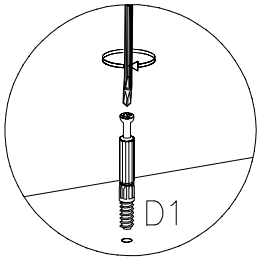
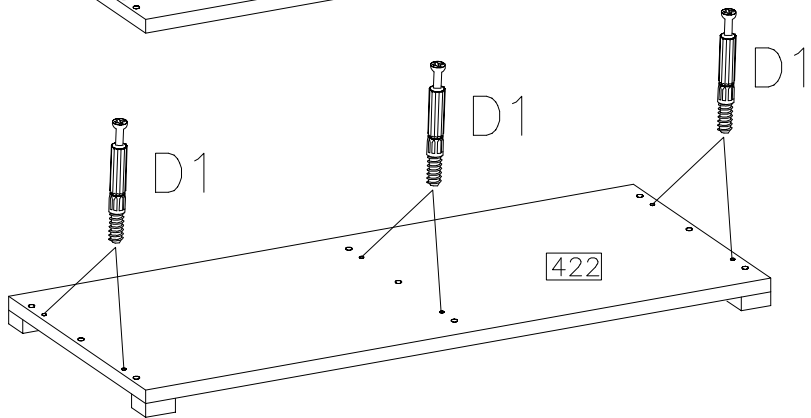
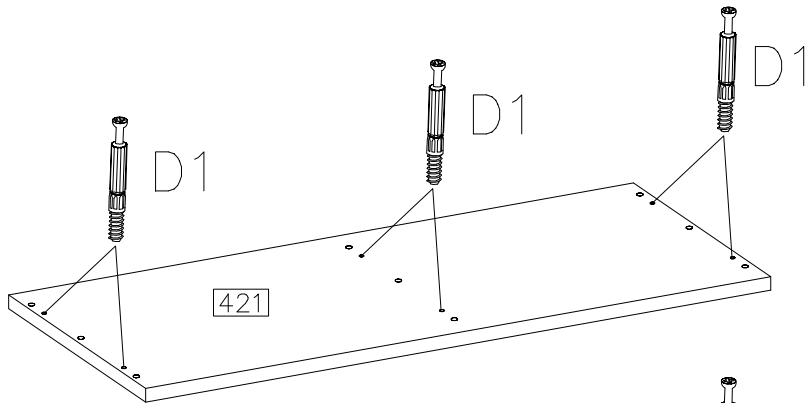
1

4.0x35mm		
	R3	F4
	8	4

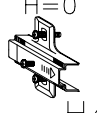
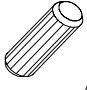




2

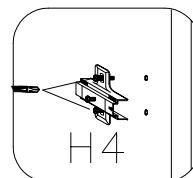
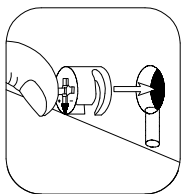
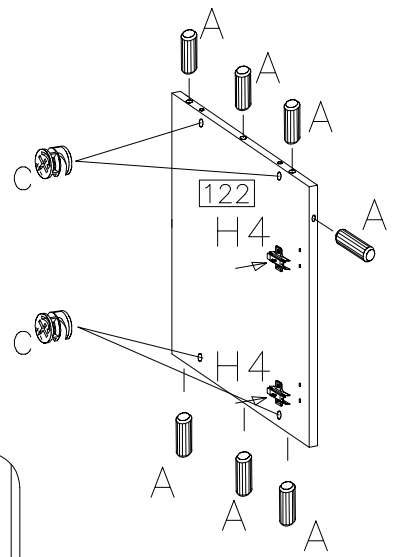
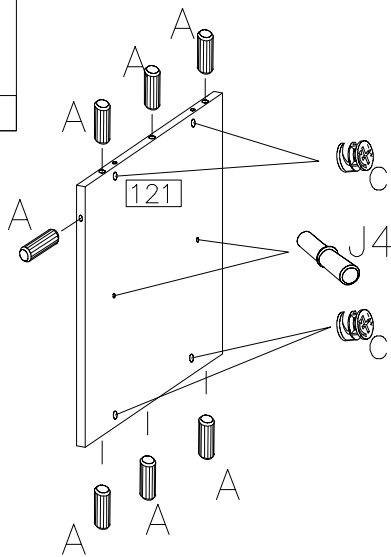

D1
12




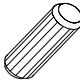

3

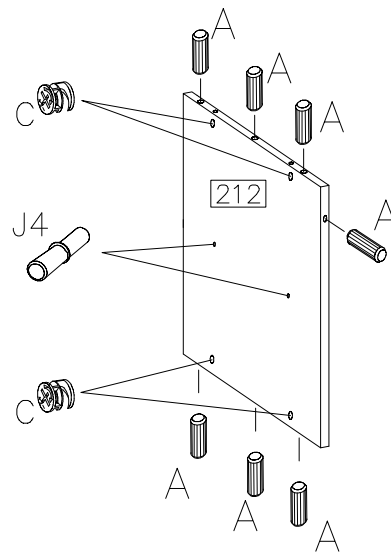
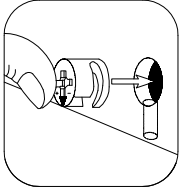
H=0 	ø8x30mm 	ø15/12mm 
H4	A	C
2	14	8


J4
2

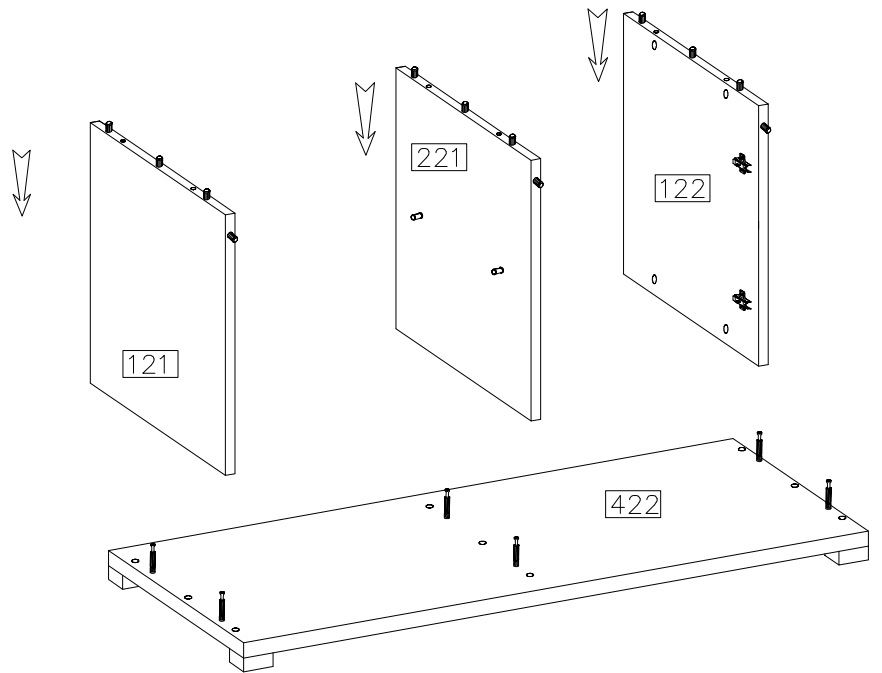
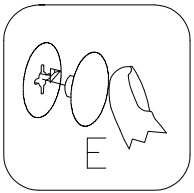
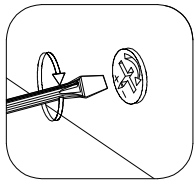
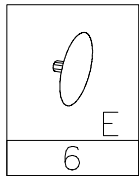


4

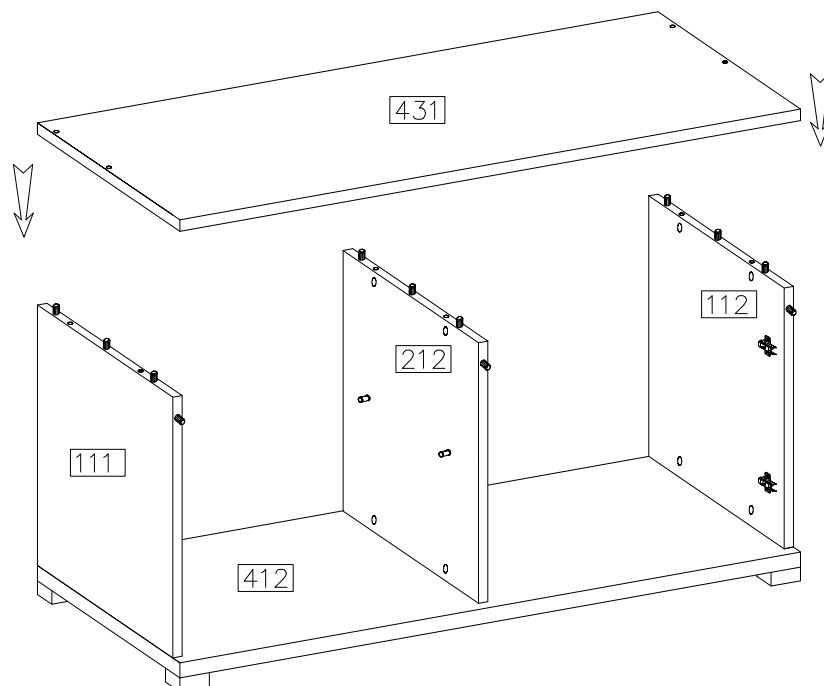
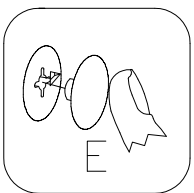
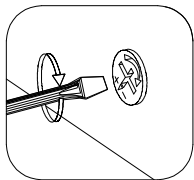
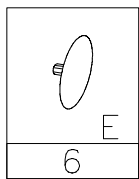
$\varnothing 15/12\text{mm}$ 	$\varnothing 8 \times 30\text{mm}$ 	
C 4	A 7	J4 2



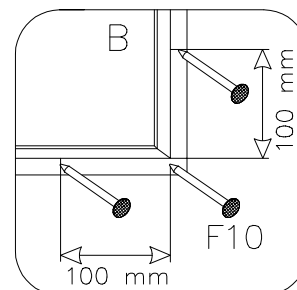
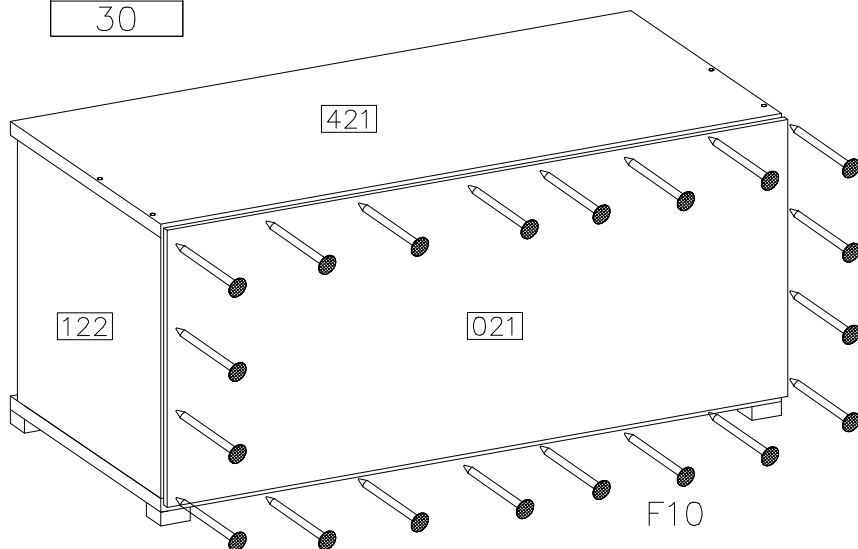
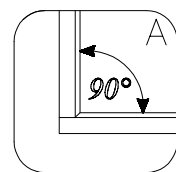
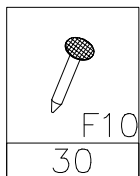
5



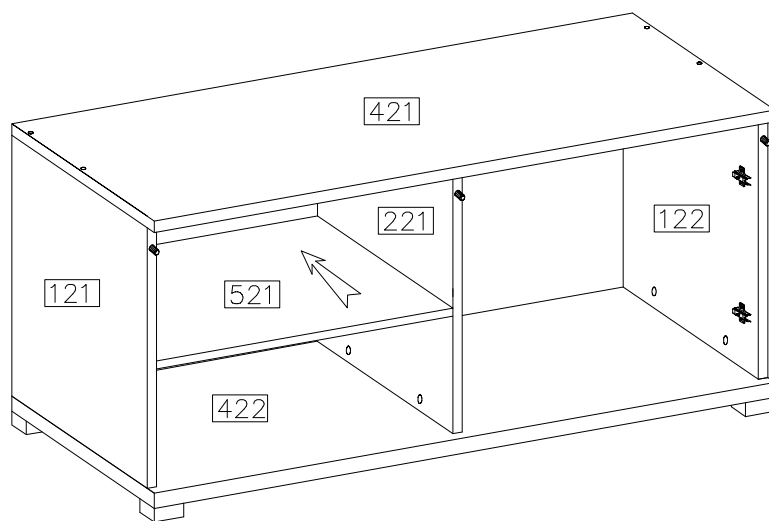
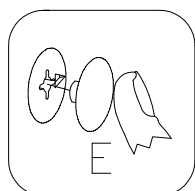
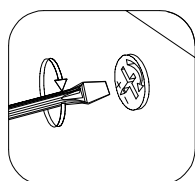
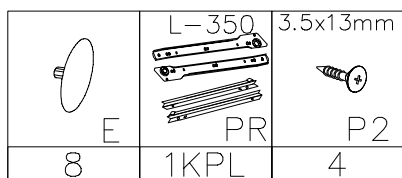
6



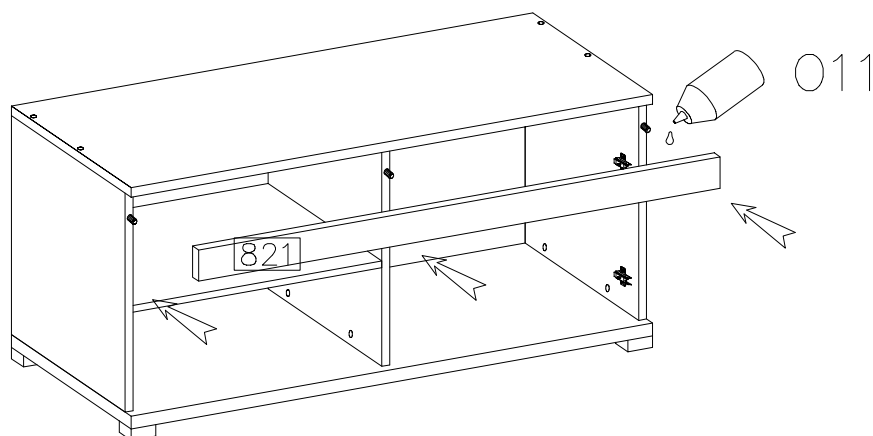
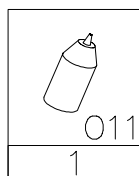
7



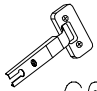

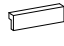

8

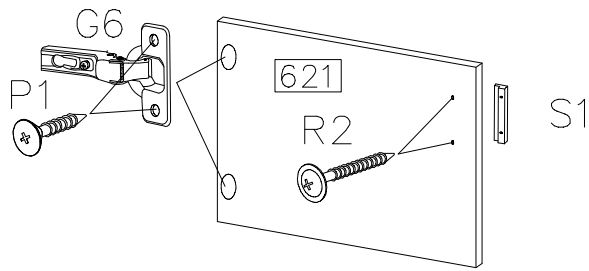


9

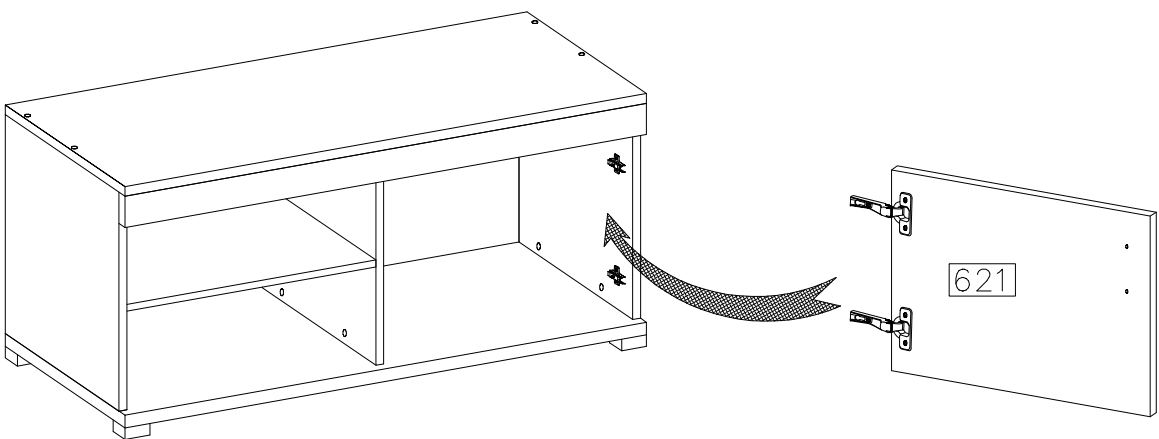


10

 G6 2	 P1 4	 S1 1	 R2 2
---	---	--	---



11



12

