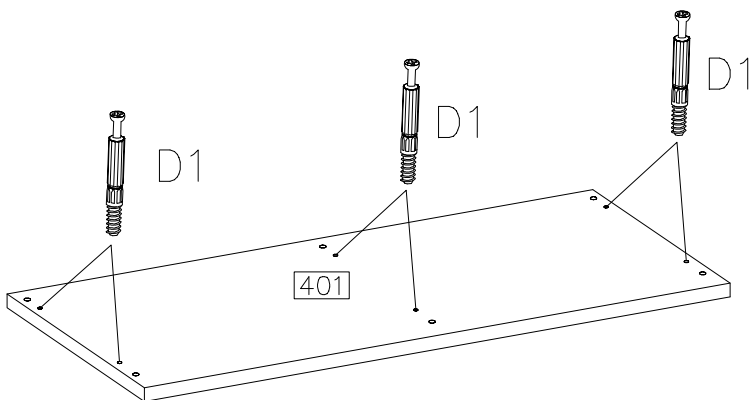
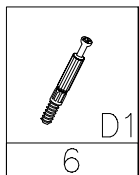
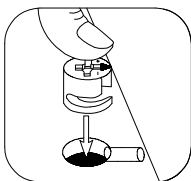
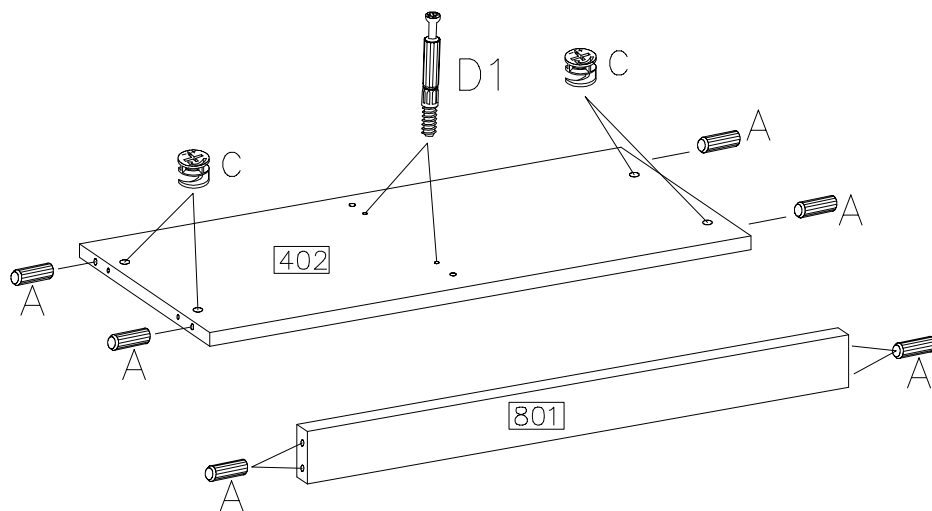
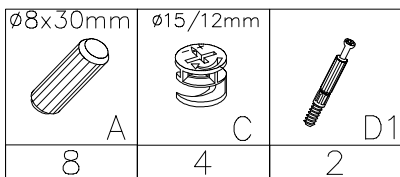


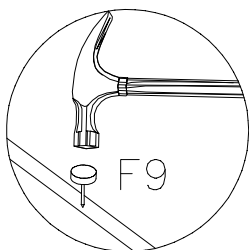
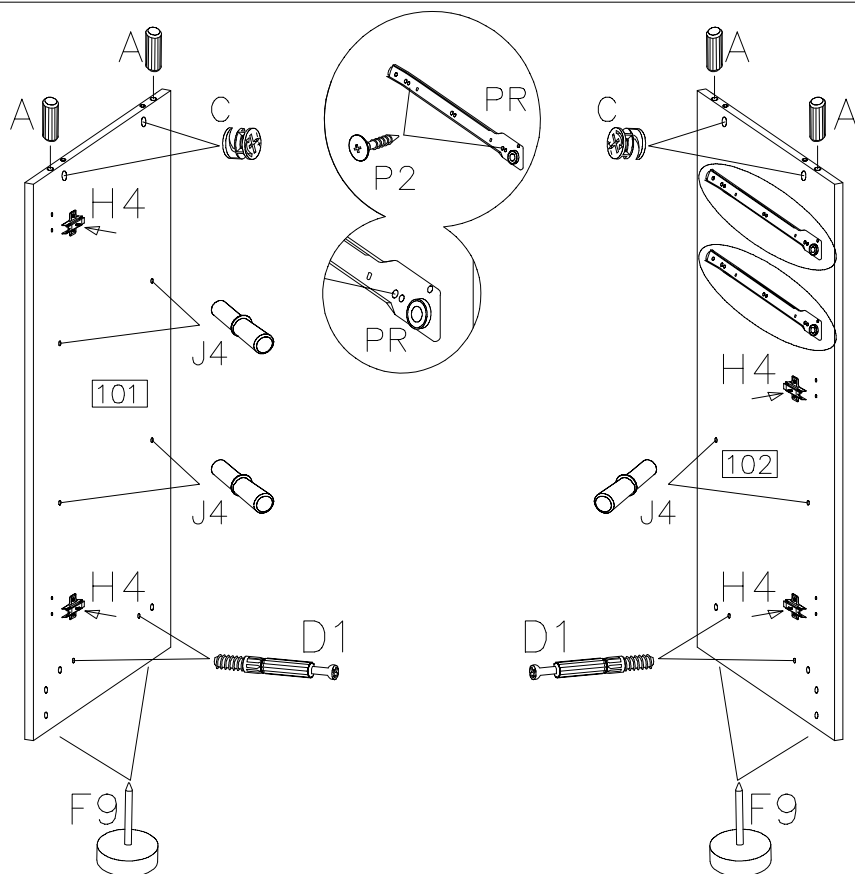
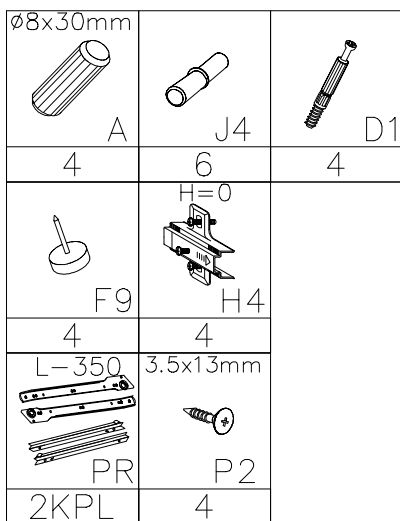
1





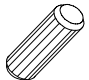


2

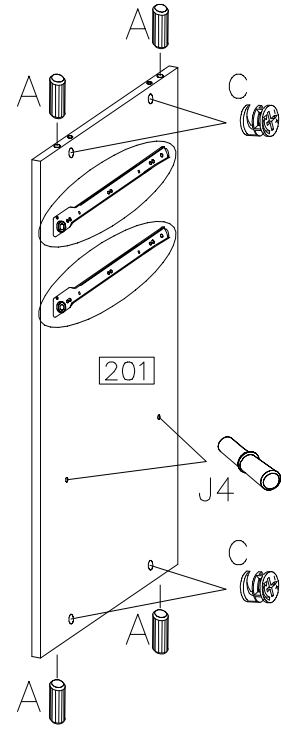
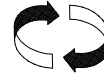
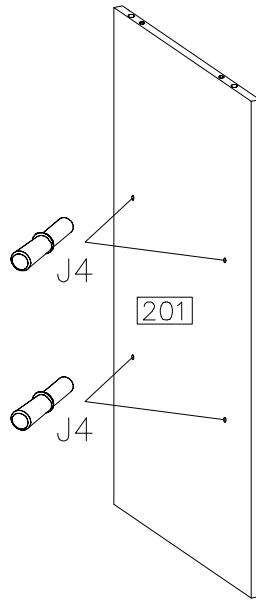
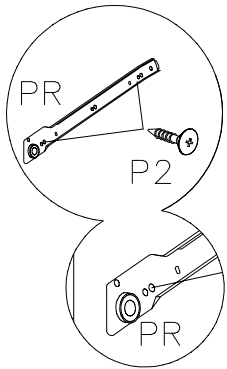


3

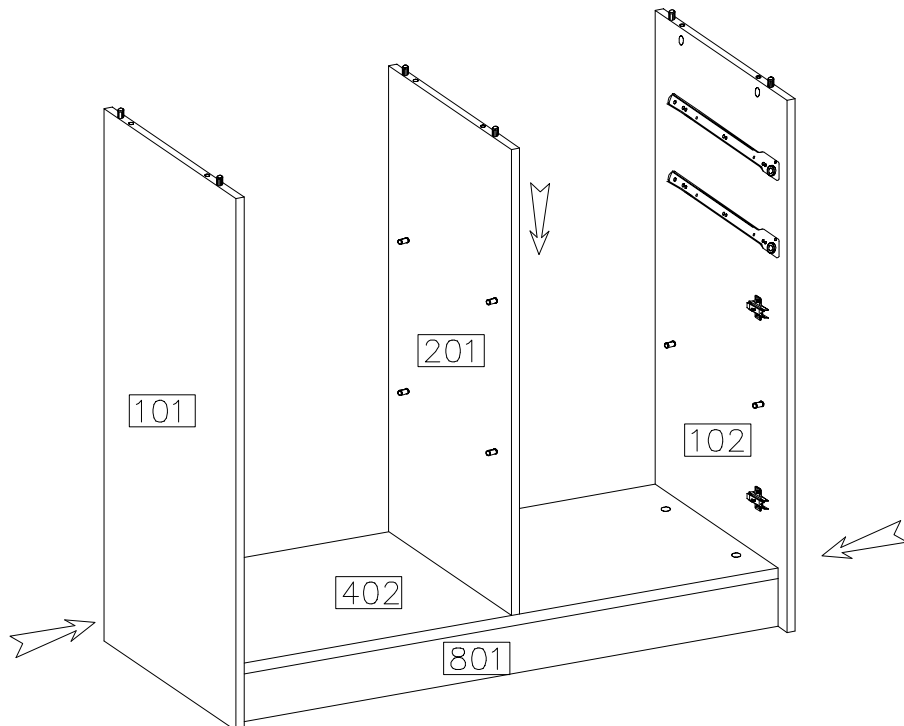
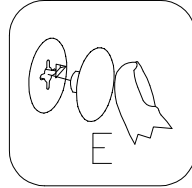
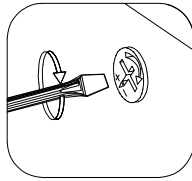
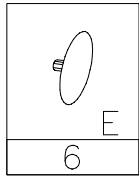


4

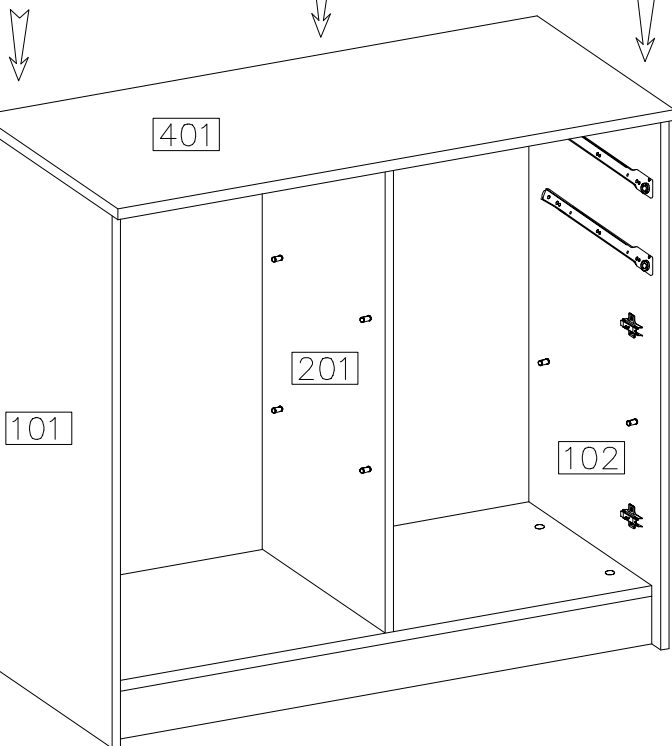
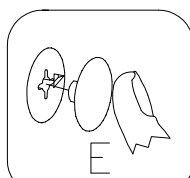
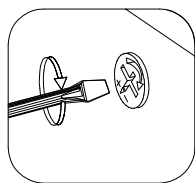
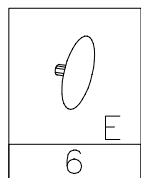
L-350  PR	3.5x13mm  P2
2KPL  A	4  C
4	4
	 J4
	6



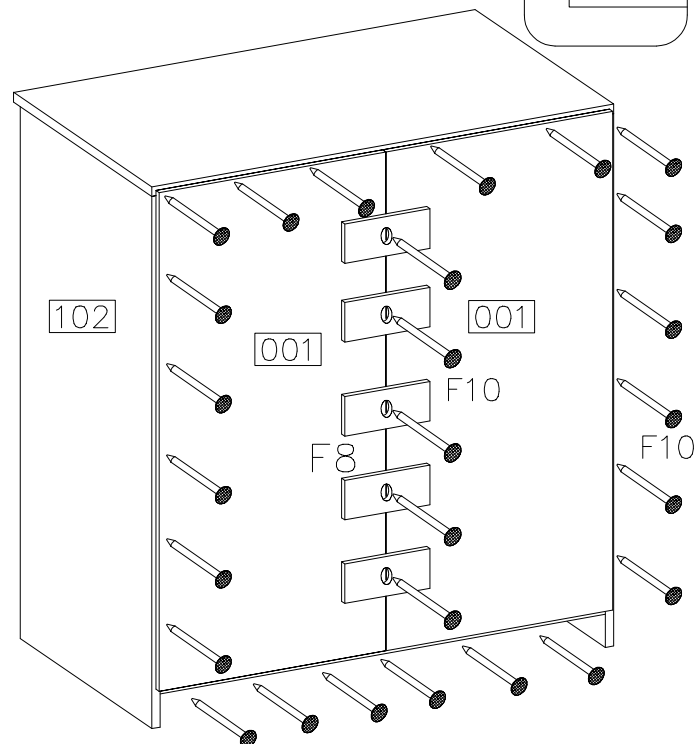
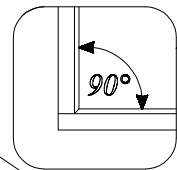
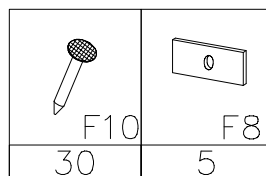
5



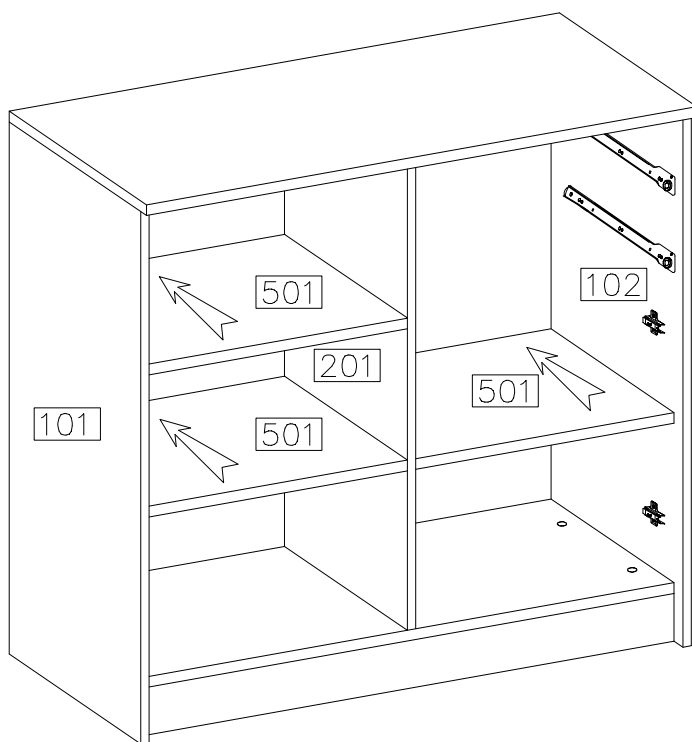
6



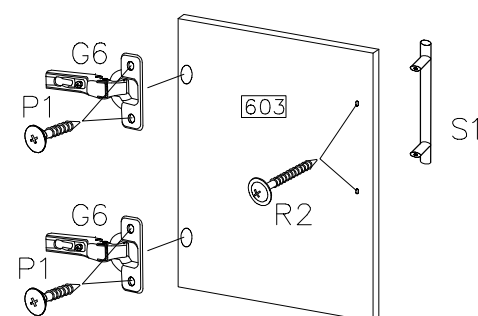
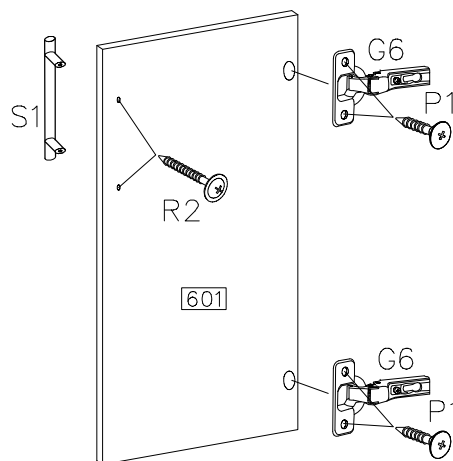
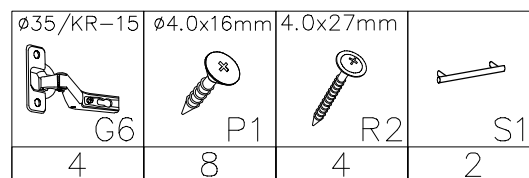
7




8



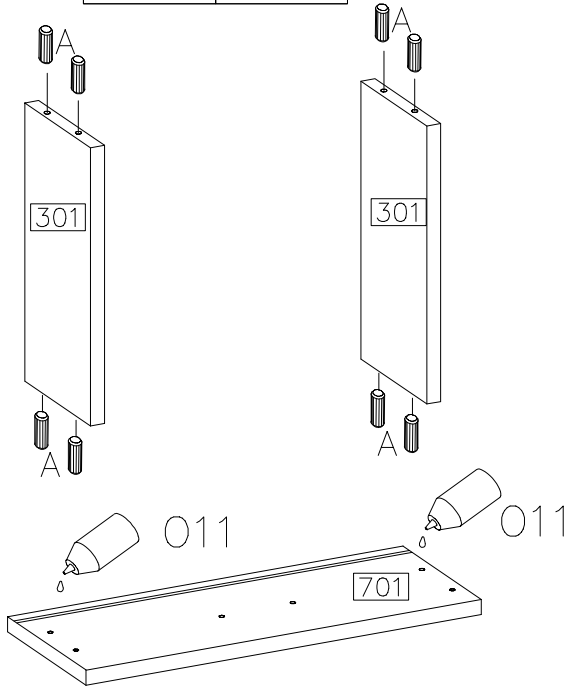
9





10

	Ø8x30mm
011	A
1	16

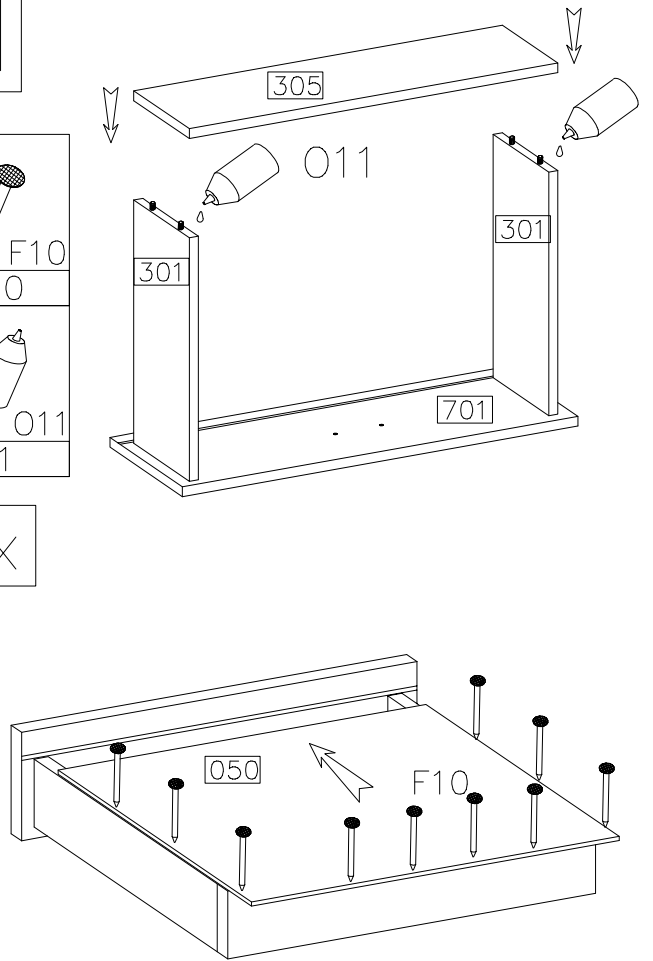
2x




11

	F10
20	
	011
1	

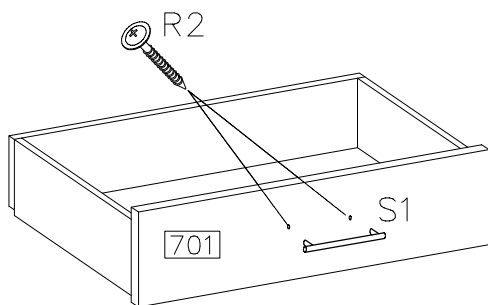
2x



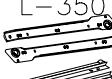

12

	4.0x27mm
S1	R2
2	4

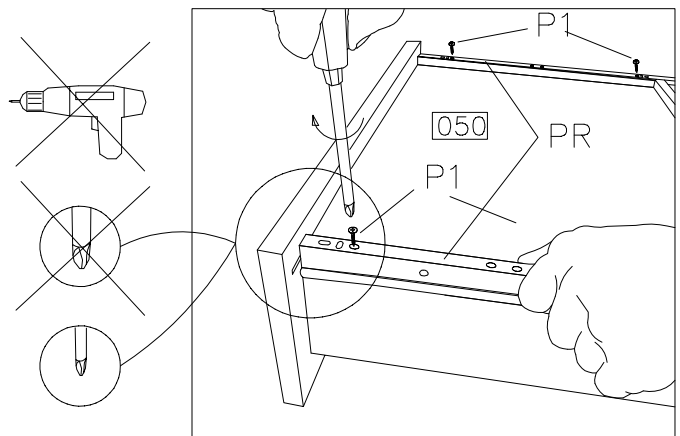
2x



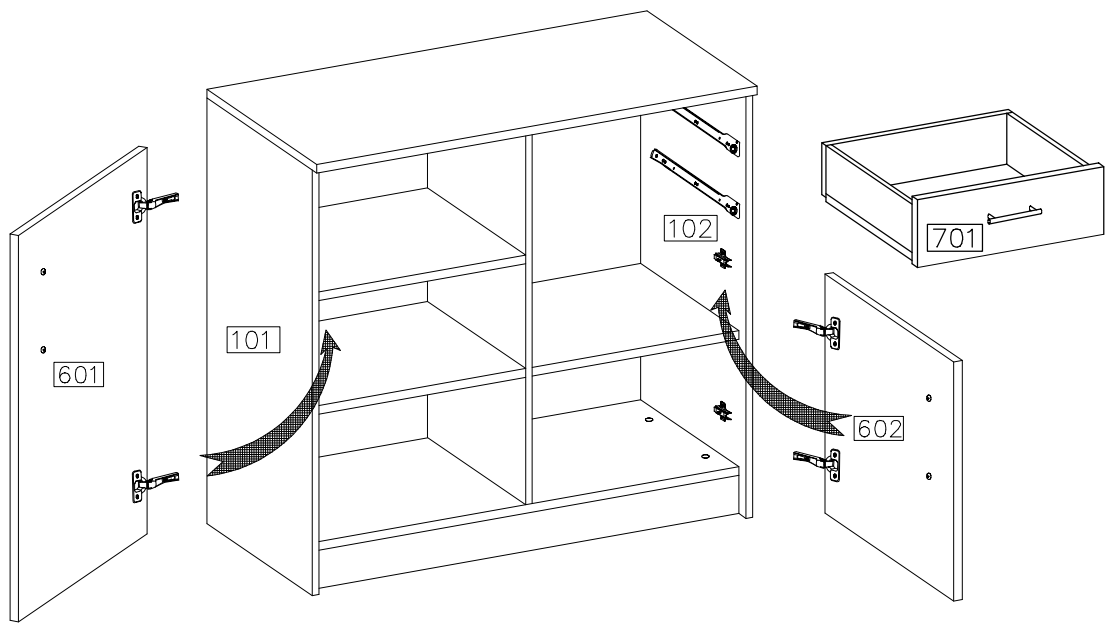
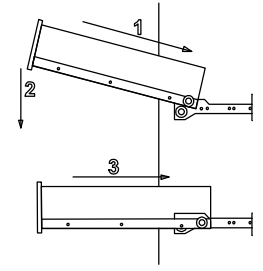
13

	L-350	Ø4.0x16mm
PR		P1
2KPL	8	

2x



14



15

