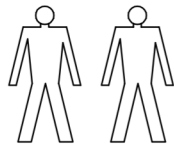
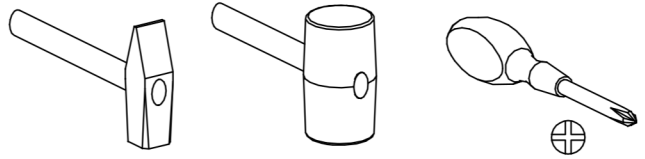


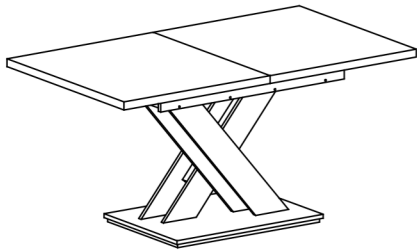
PLEASE READ THE INSTRUCTIONS
BEFORE ASSEMBLY!



TOOLS NEEDED FOR ASSEMBLY

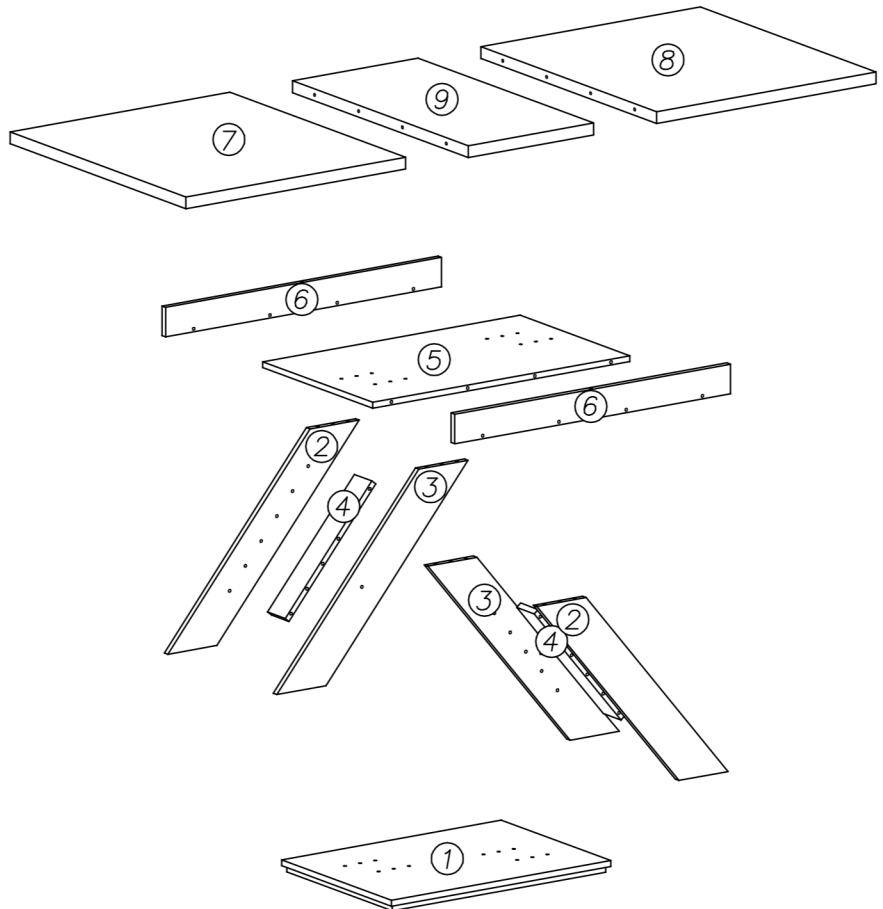









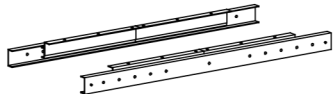
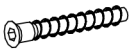




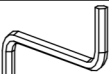
STÓŁ BRONX



IMPORTANT INFORMATION:

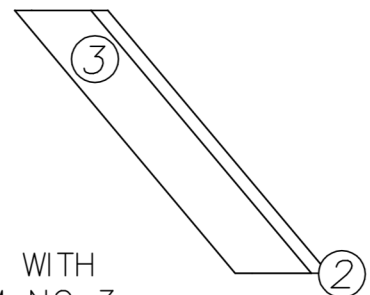
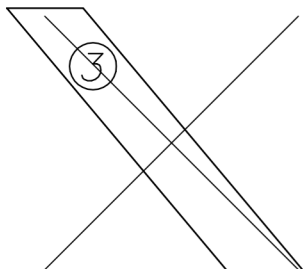
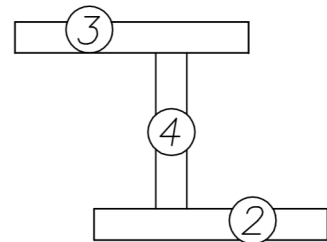
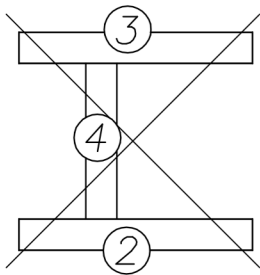
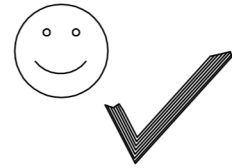
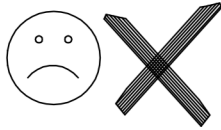
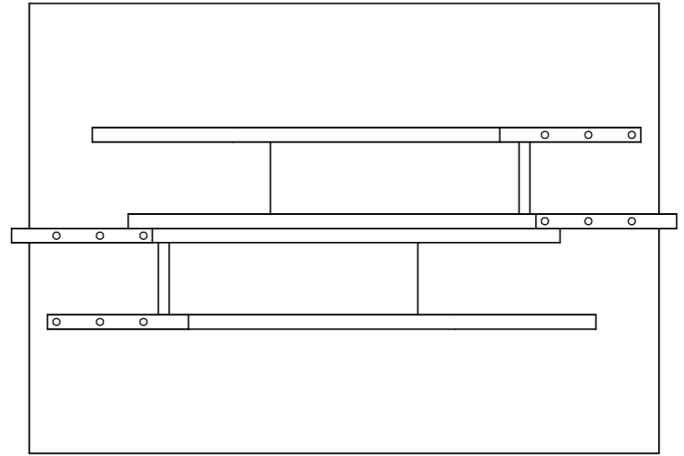
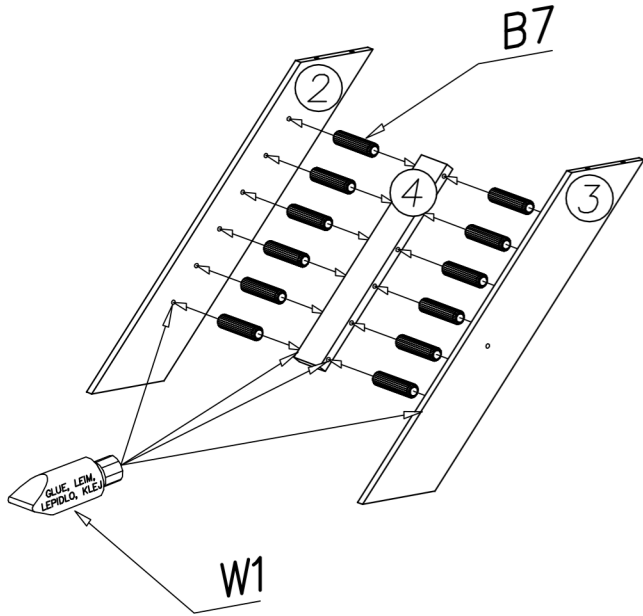
1) REMOVE THE PROTECTIVE FOIL IF THE
TABLE IS IN HIGH GLOSS



P5  x2	A4  7 x 50 x20	I11  x20			
B5  x10	J10  x4	G34  4 x 15 x8	G10  6,3 x 13 x30	H13  x1	
A2  7 x 70 x12	B7  8 x 30 x24	P4  x4	N7  x1	W1  GLUE, LEIM, LEPIDLO, LIN x1	W2  x1

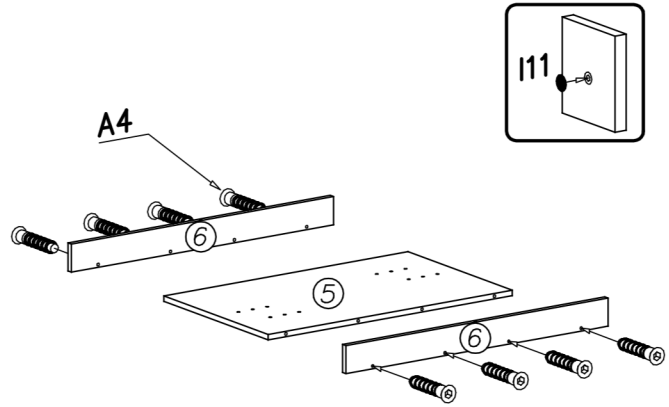
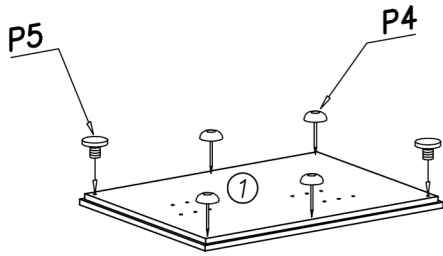
1

x2



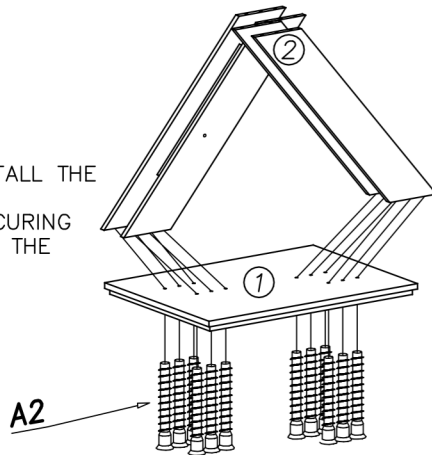
ASSEMBLE ITEM NO 2 WITH
DISPLACEMENT TO ITEM NO 3

II



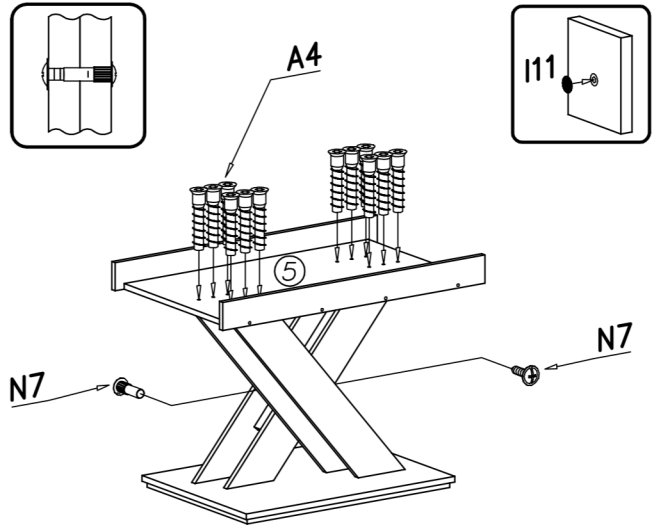
III

LOOSELY INSTALL THE SCREWS AND WASHERS SECURING THE LEGS TO THE TABLE BASE

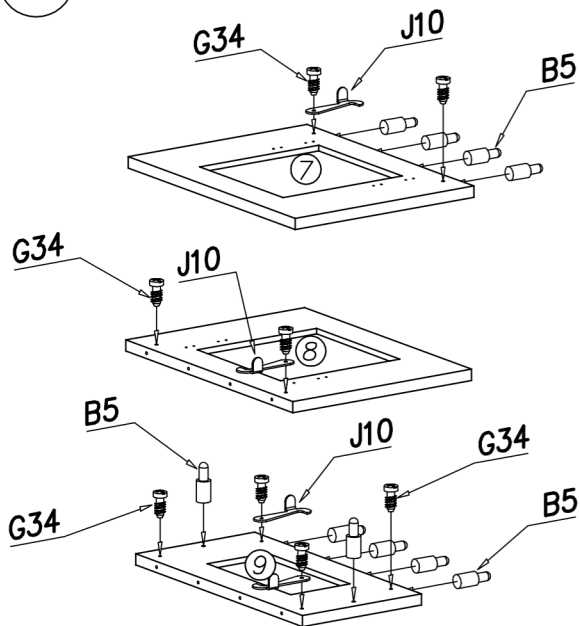


IV

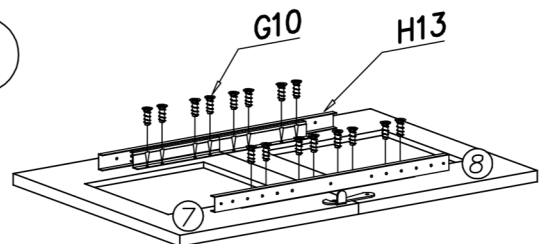
LOOSELY INSTALL THE SCREWS AND WASHERS SECURING THE LEGS TO THE TABLE TOP



V

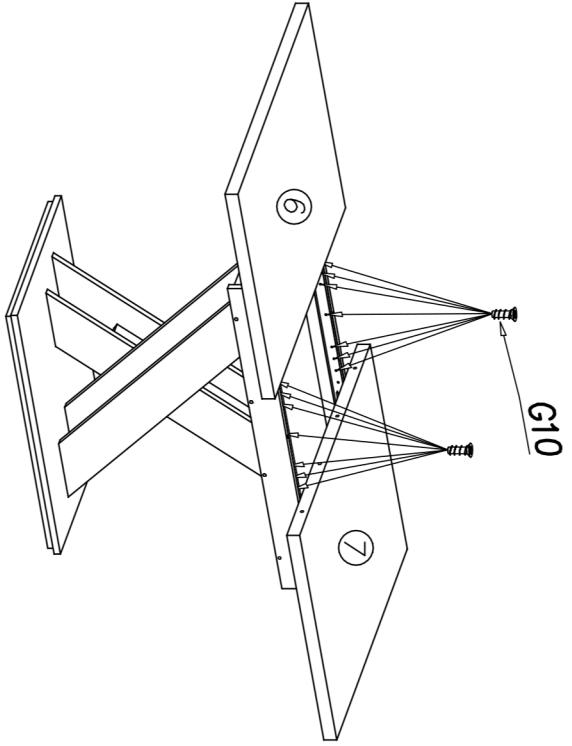


VI

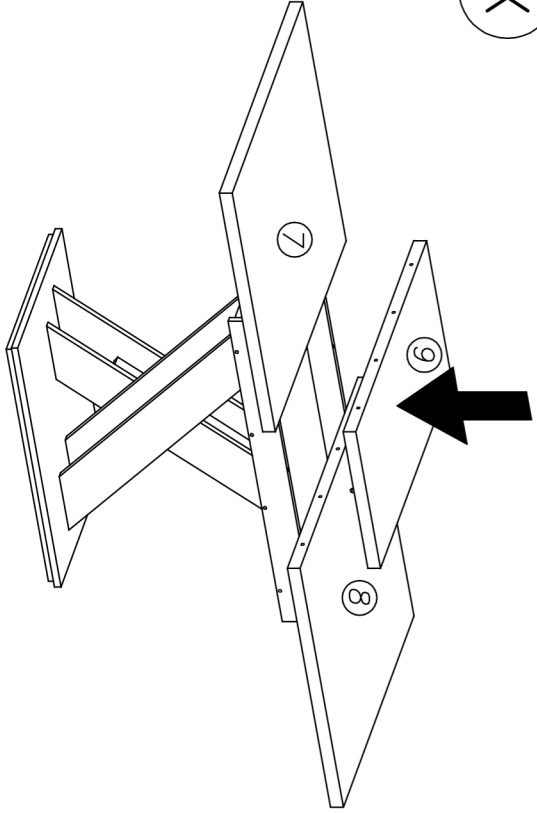


AFTER THIS STEP TIGHTEN ALL SCREWS

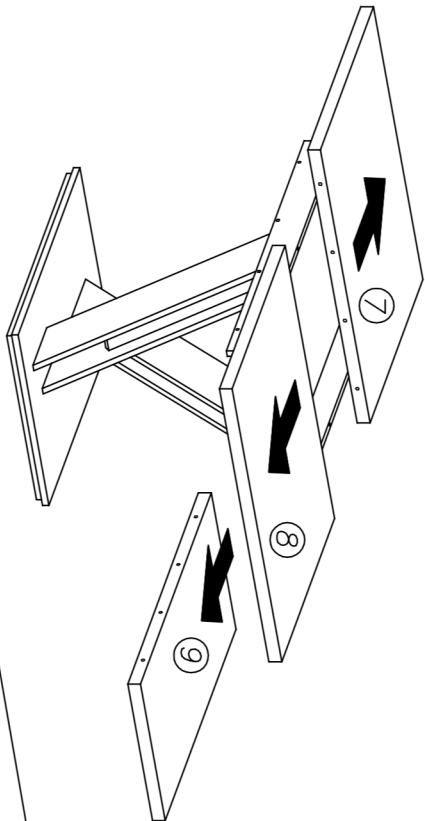
VII



IX



VIII



X

