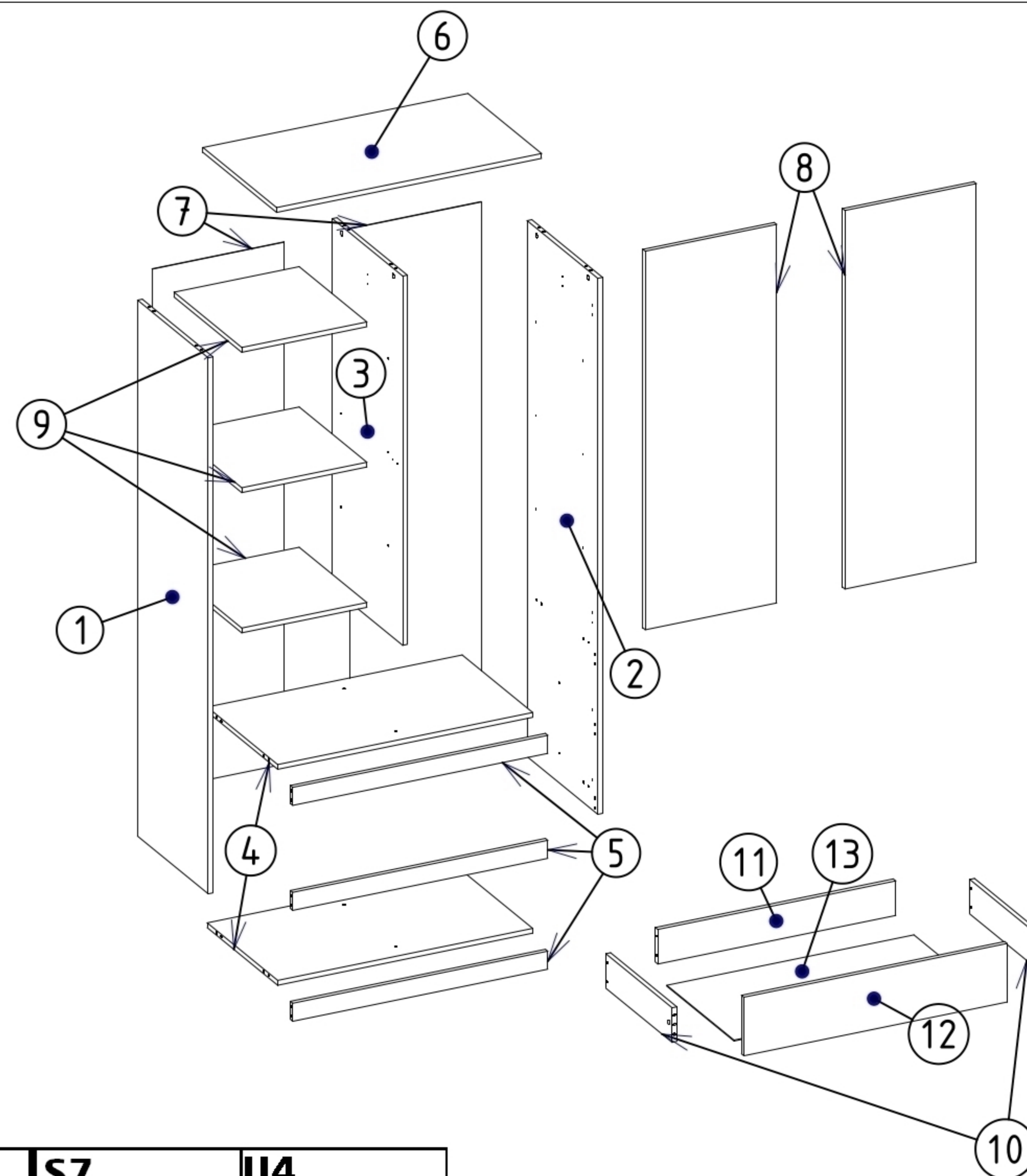
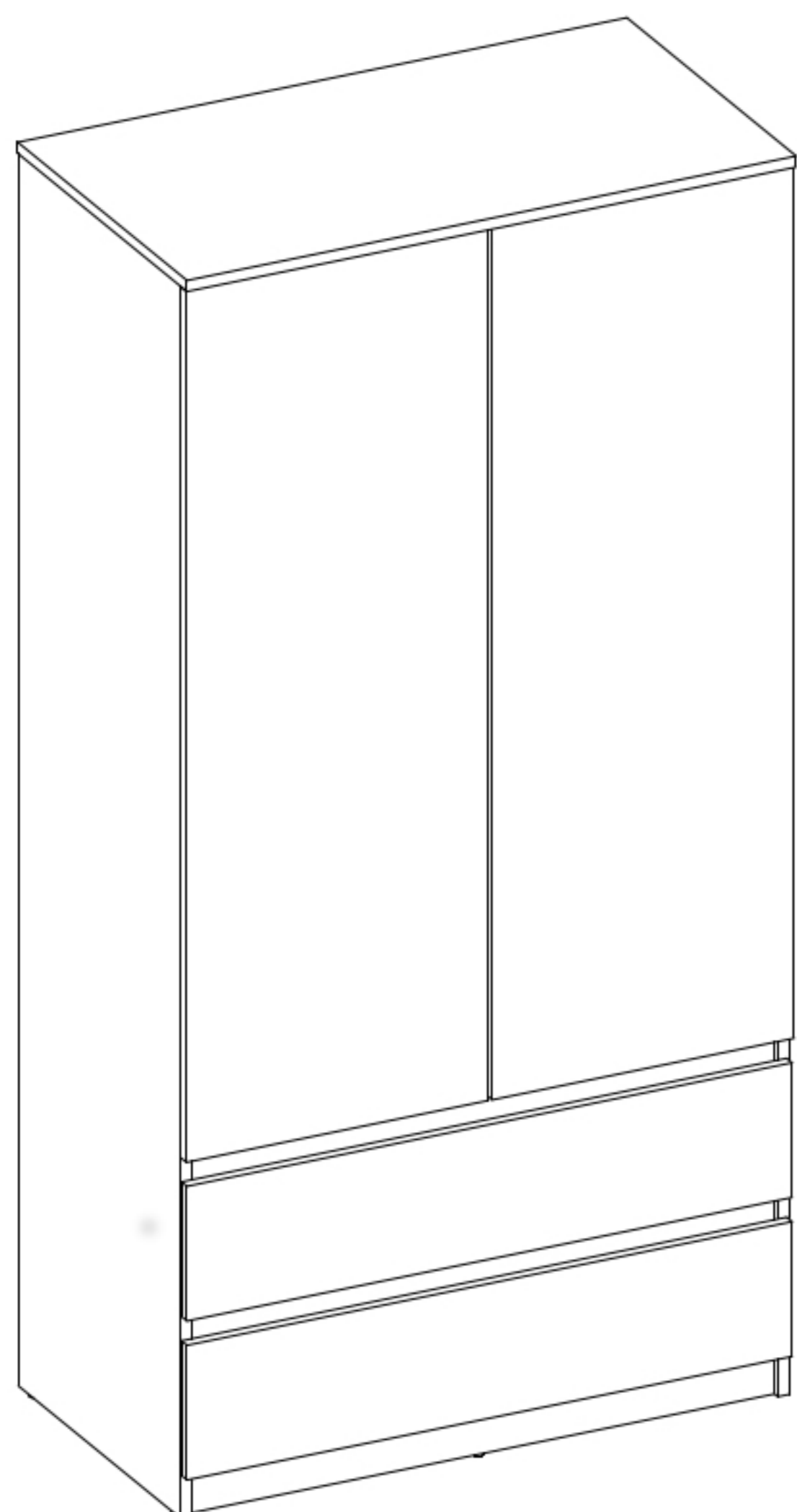

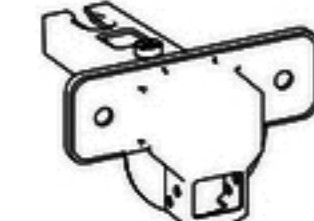

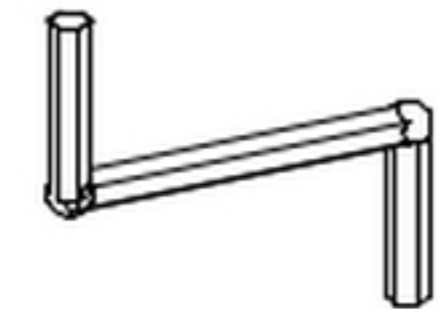


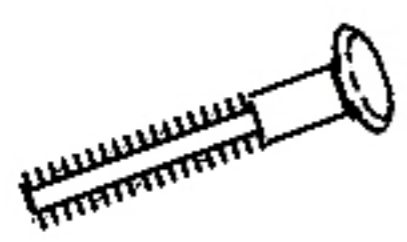




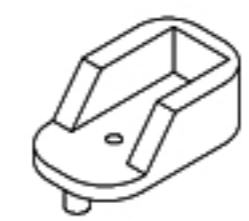
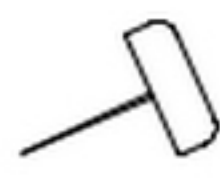




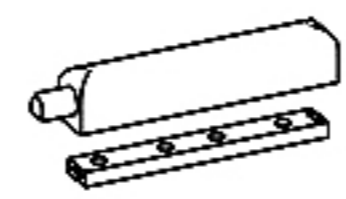

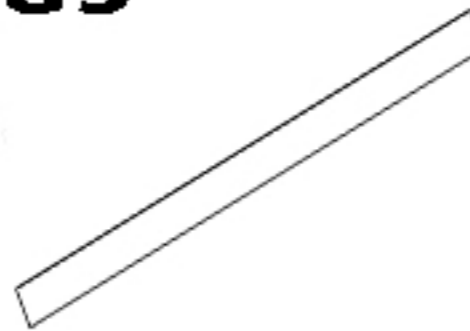



SS-90

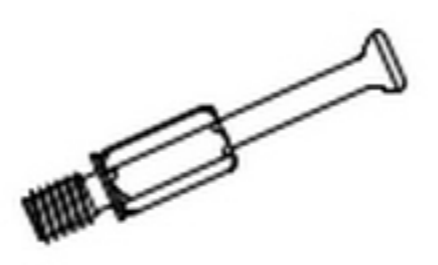
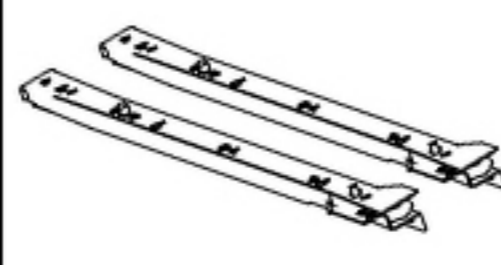

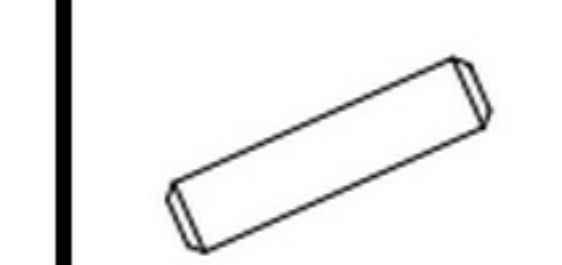
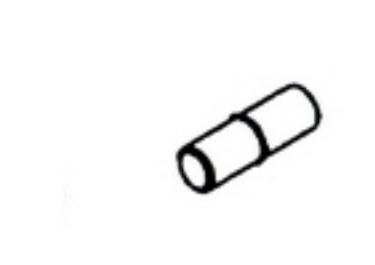


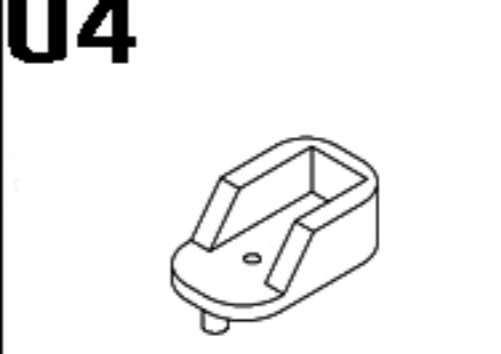


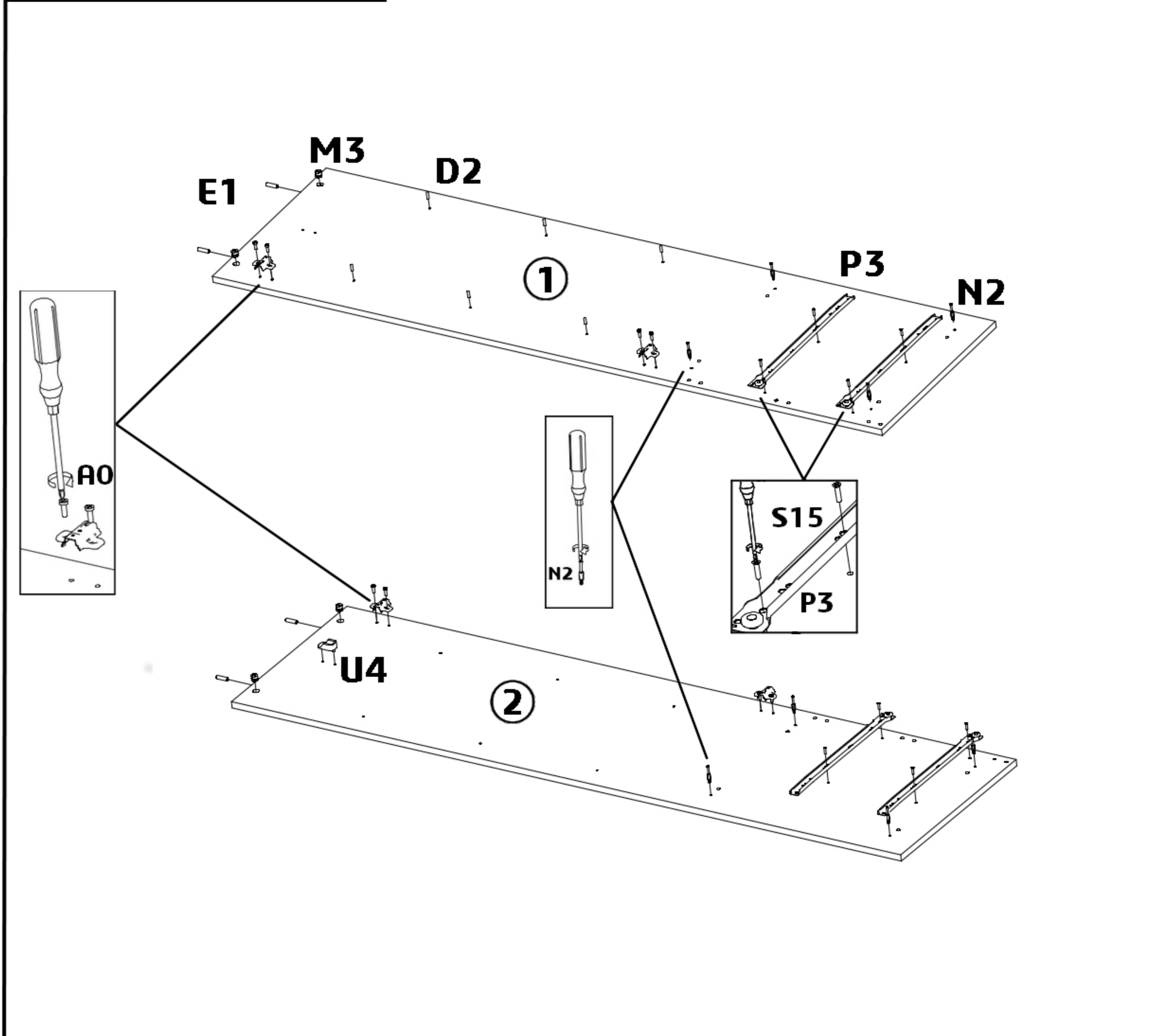
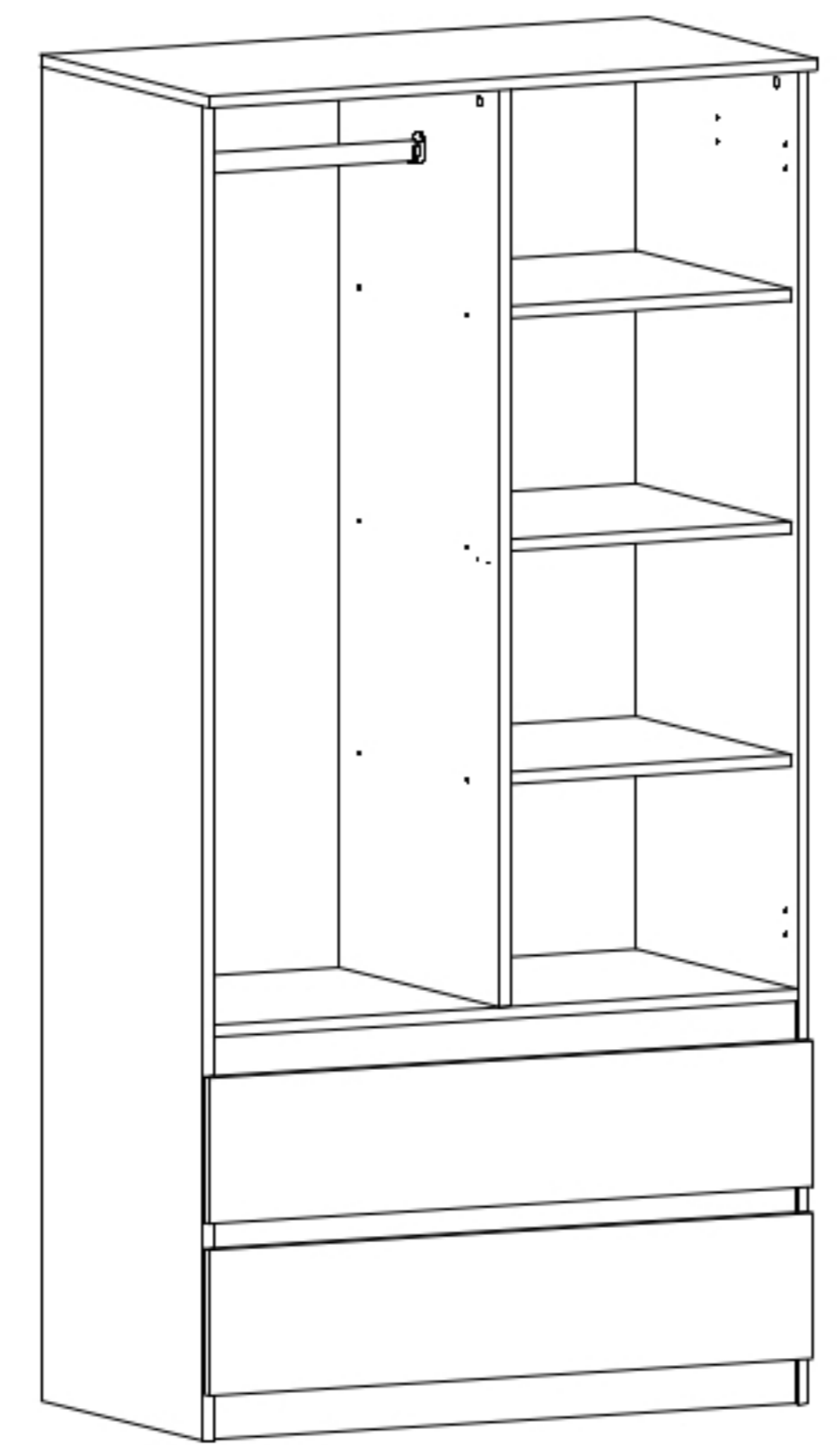
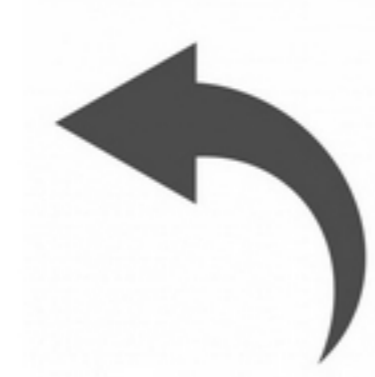
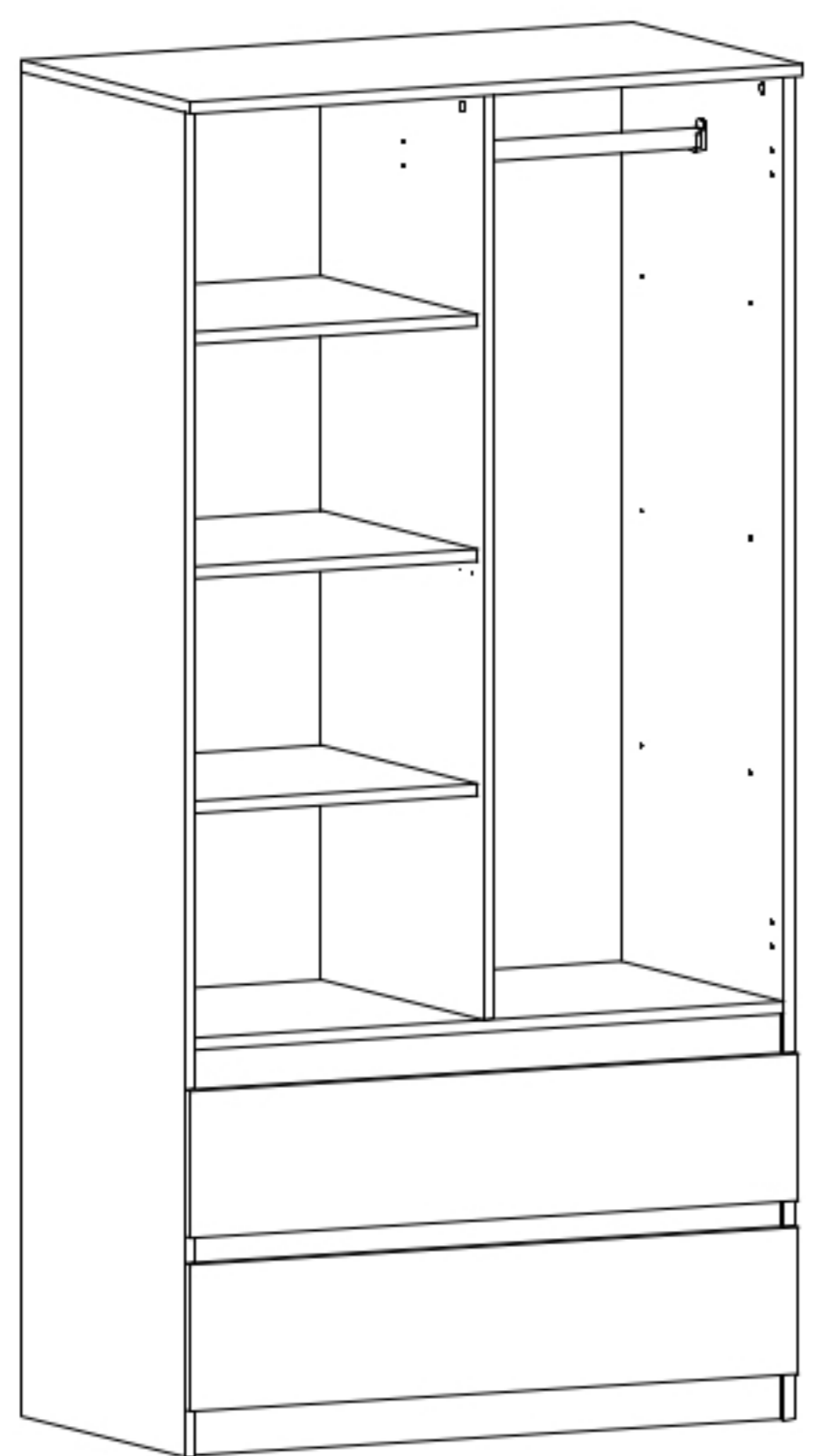
A0  x 4	A1  x 4	F2  x 2	K1  x 1
---	---	---	--

N2  20,3 x 18	M3  x 18	E4  x 8	S1  3,5x16 x 22	E1  8x30 x 34	D2  x 12	S7  2,5x20 x 5	U4  x 2
---	--	---	--	---	--	--	---




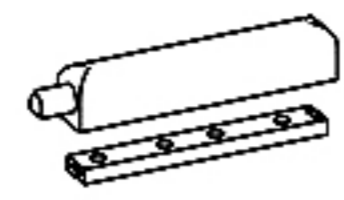

T1  x 5	Z2  x 100	P3  L=400 x 2	S15  6x8 x 8	M2  x 10	T3  x 2	 x 1	U5  x 1	Z4  x 5
---	---	---	---	--	---	--	---	---

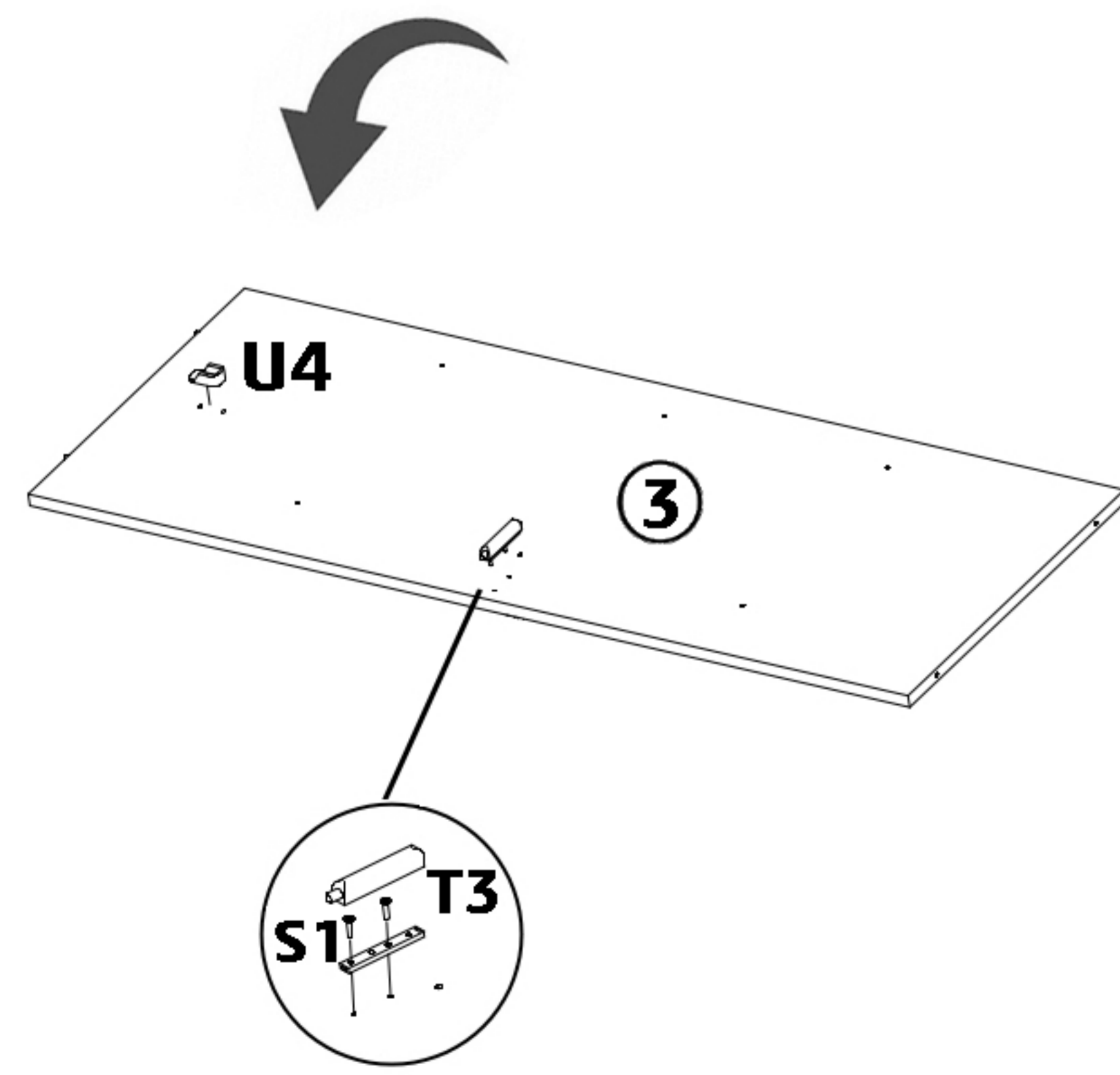
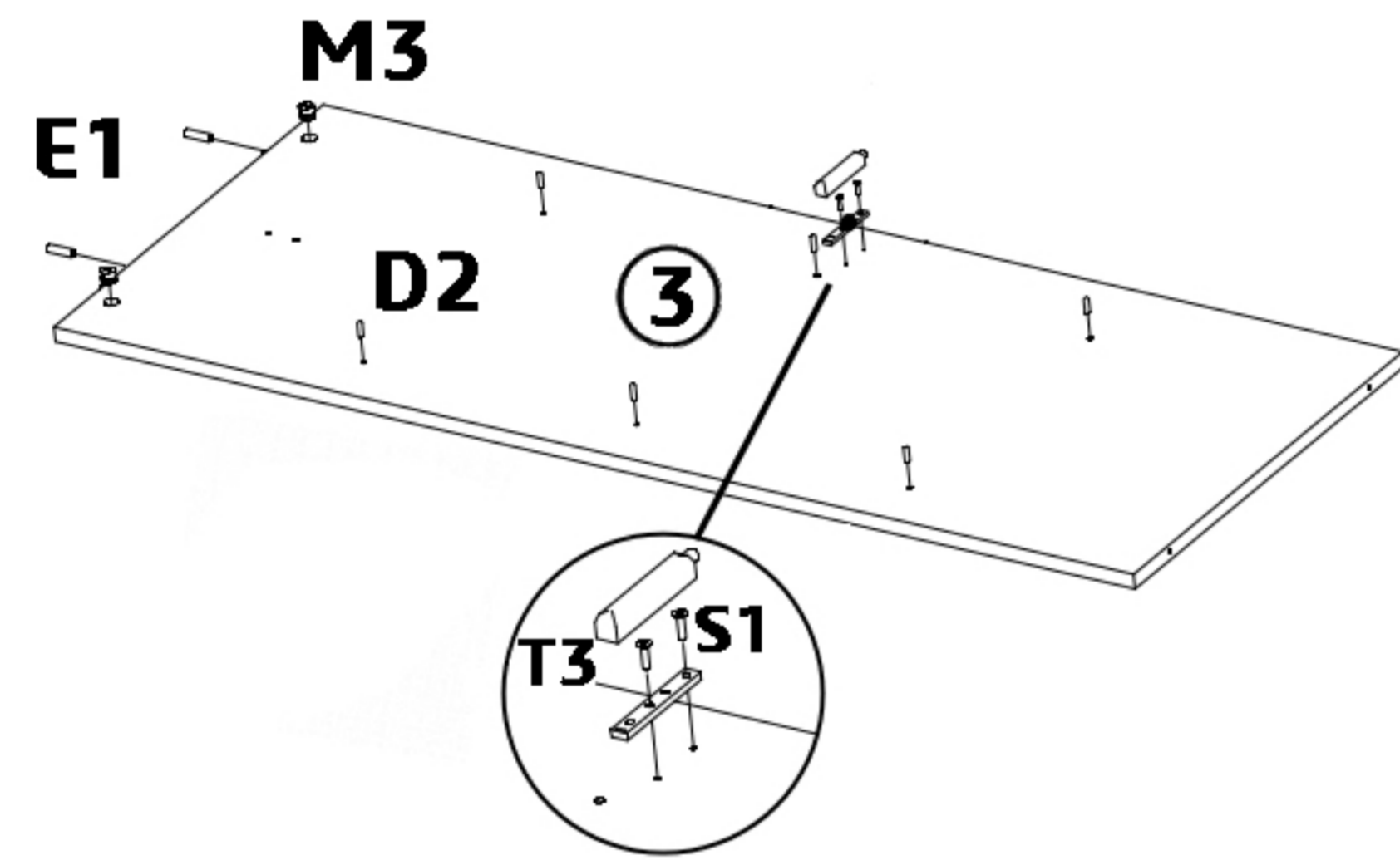
1	x 1	7	x 2
2	x 1	8	x 2
3	x 1	9	x 3
4	x 2	10	x 4
5	x 3	11	x 2
6	x 1	12	x 2
		13	x 2

N2  20,3 x 8	P3  L=400 x 2	S15  6x8 x 8	E1  8x30 x 4	D2  x 6	M3  x 4
A0  x 4	U4  x 1				





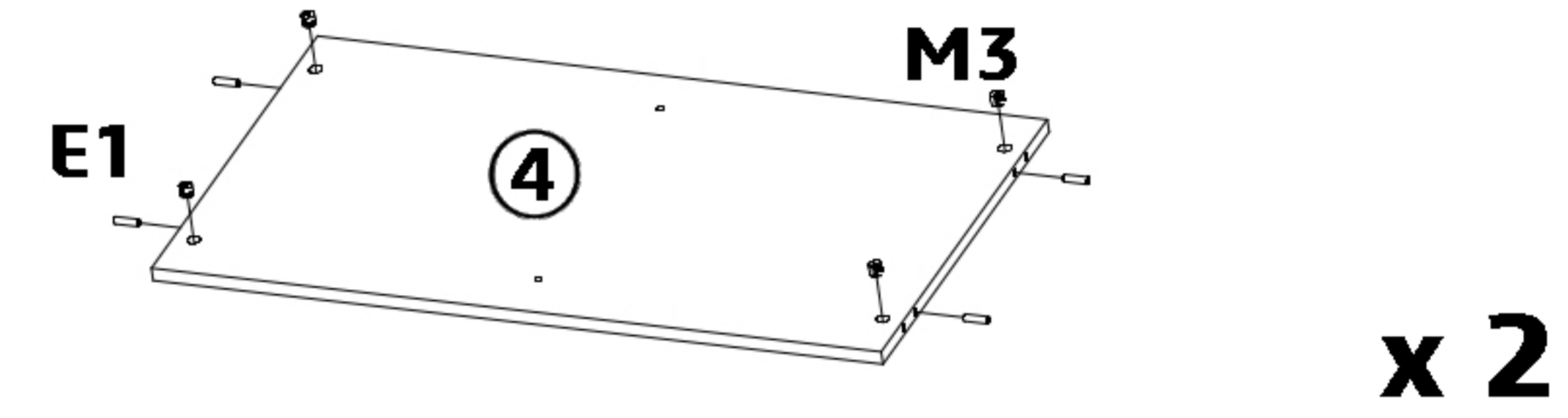
2


E1  8x30 x 2	D2  x 6	M3  x 2	T3  x 2	S1  3,5x16 x 4
--	---	---	--	--

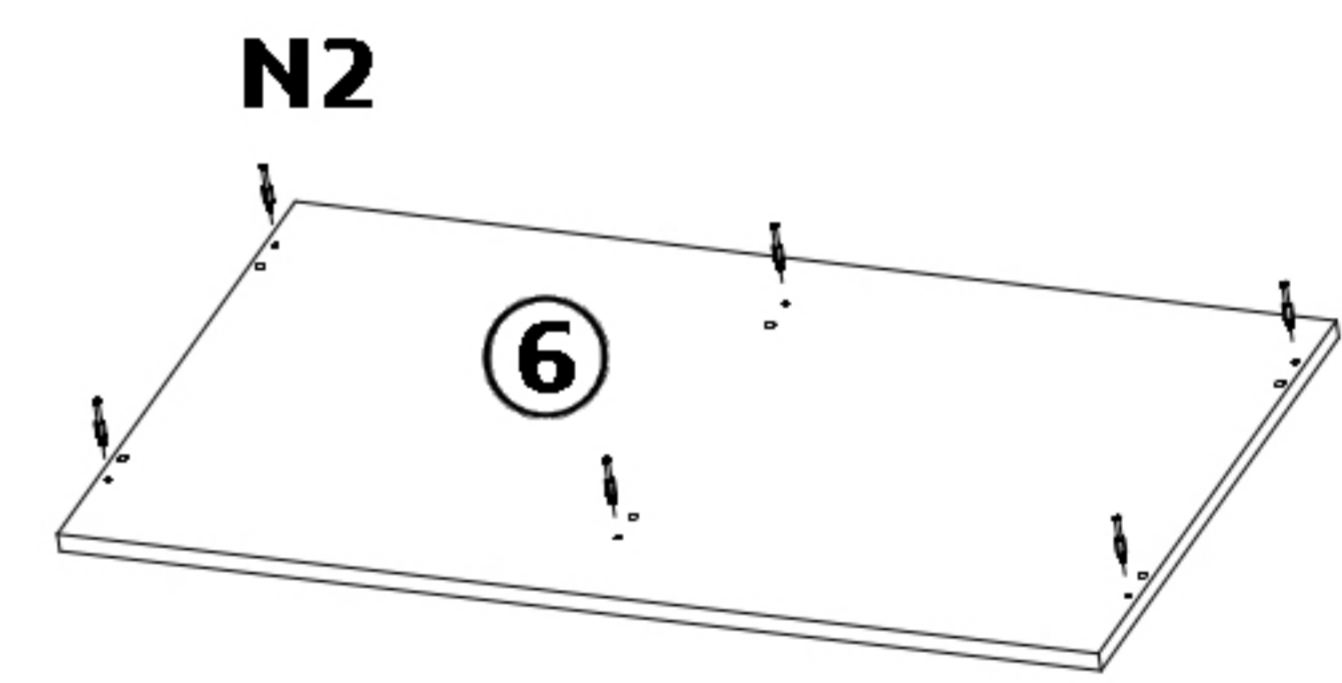



3

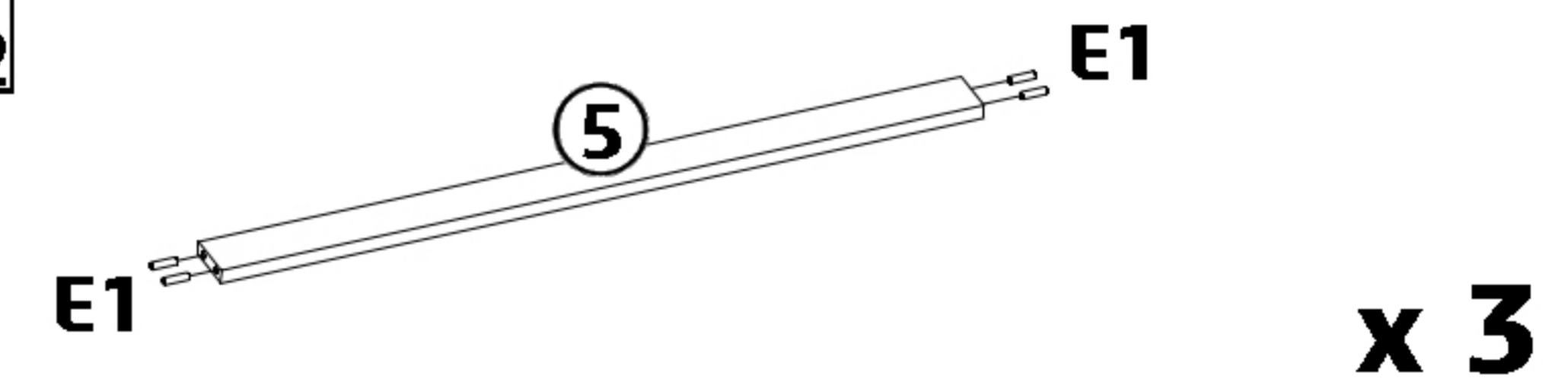
M3  x 8	E1  8x30 x 8
---	--



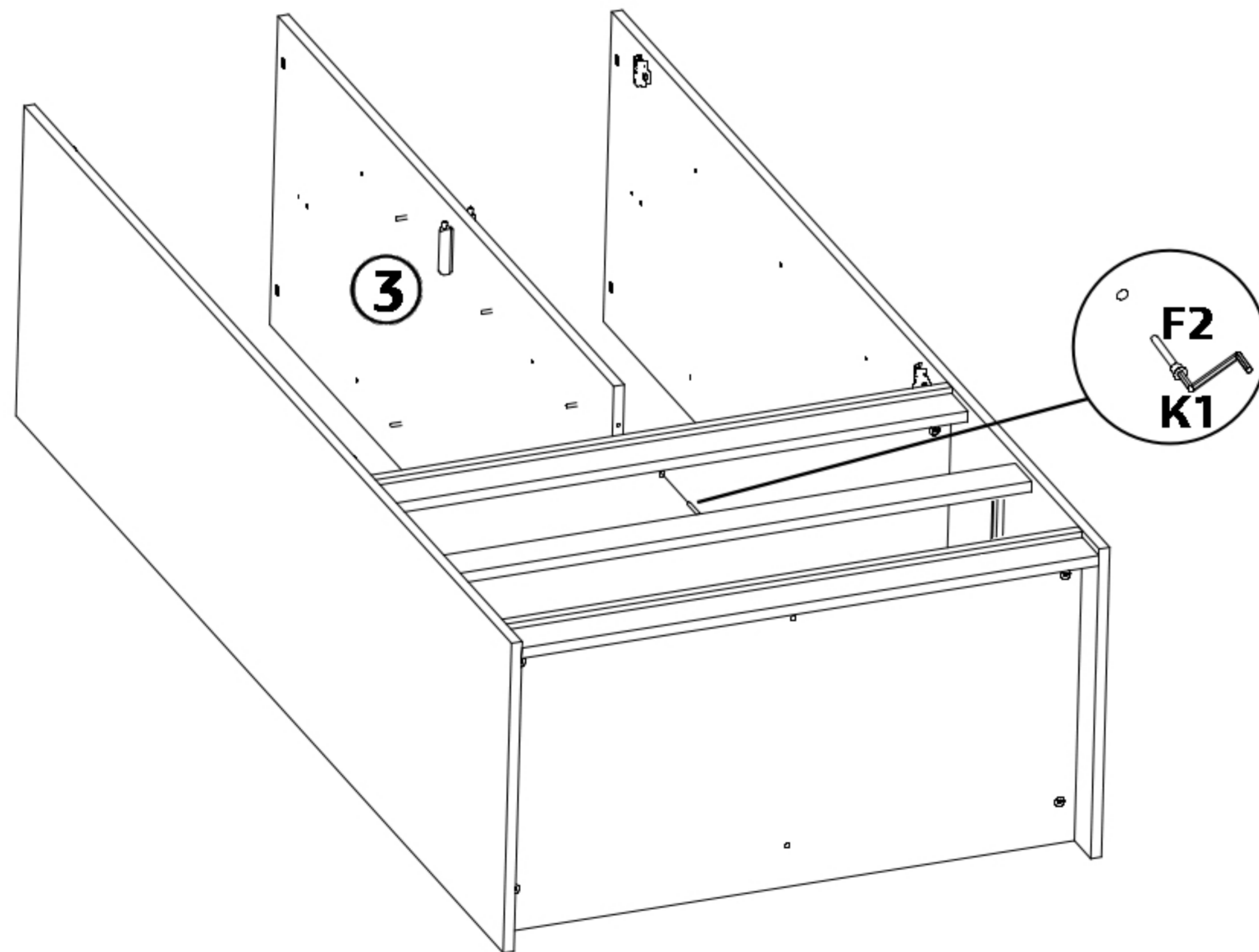
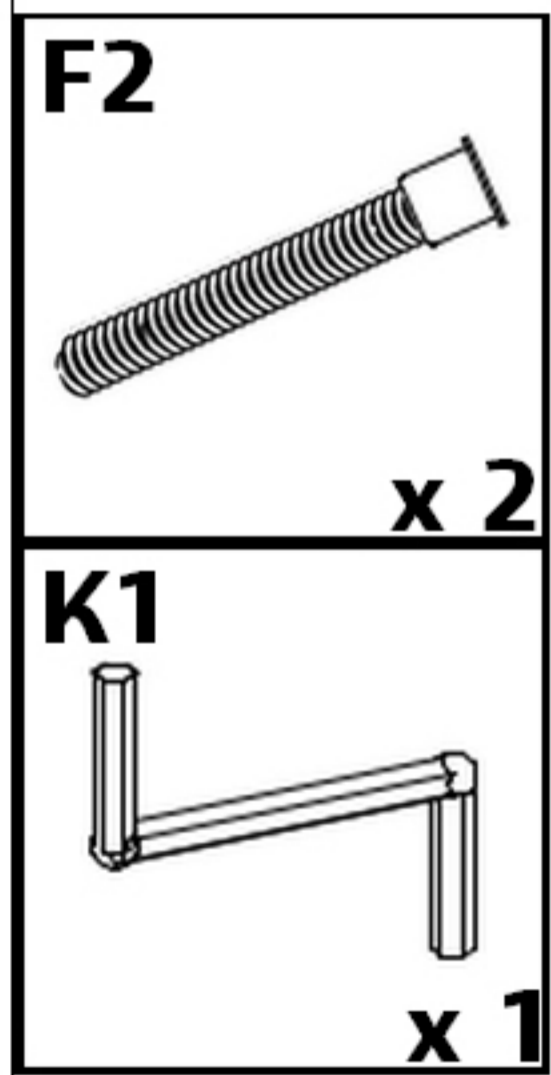
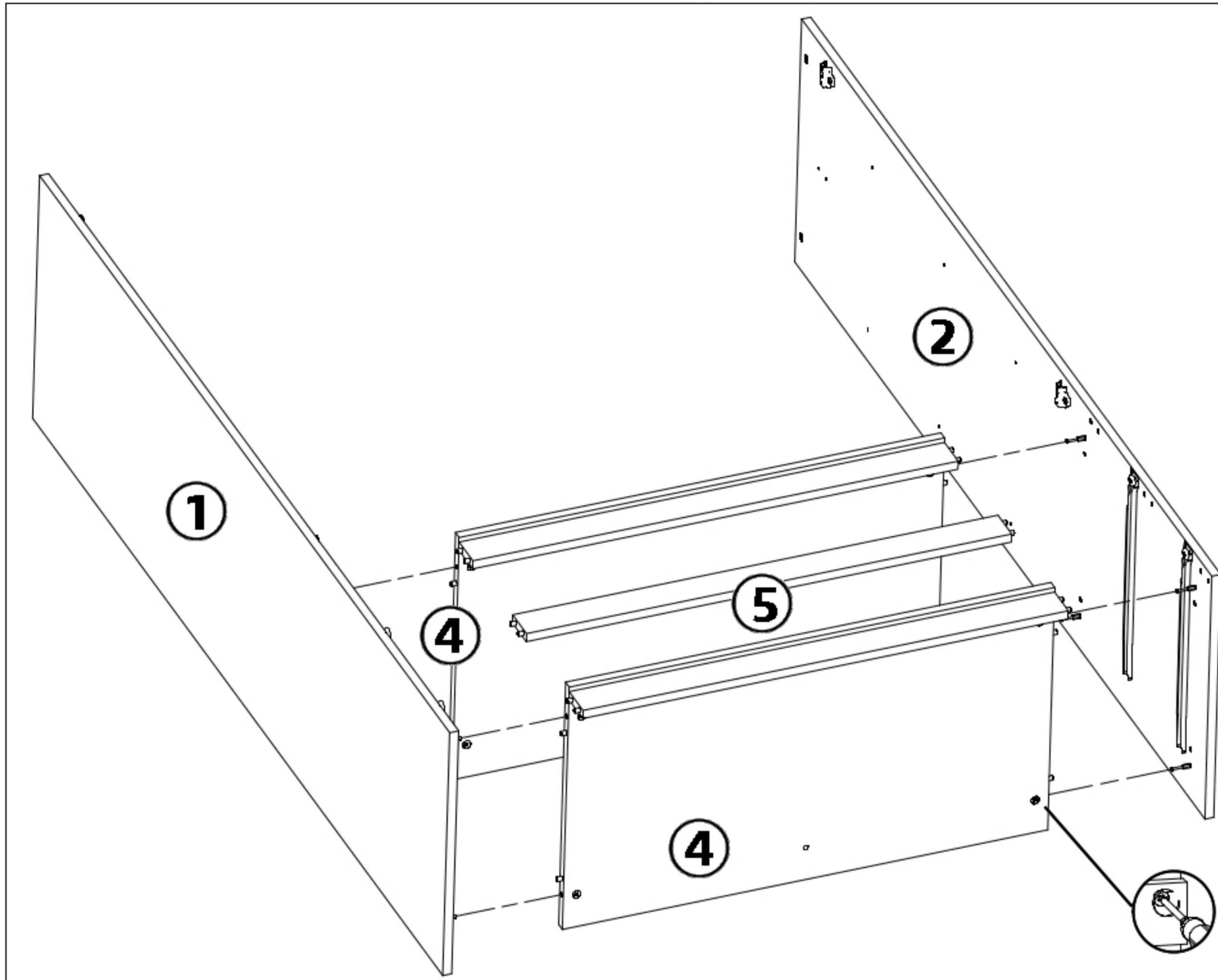
N2  20,3 x 6



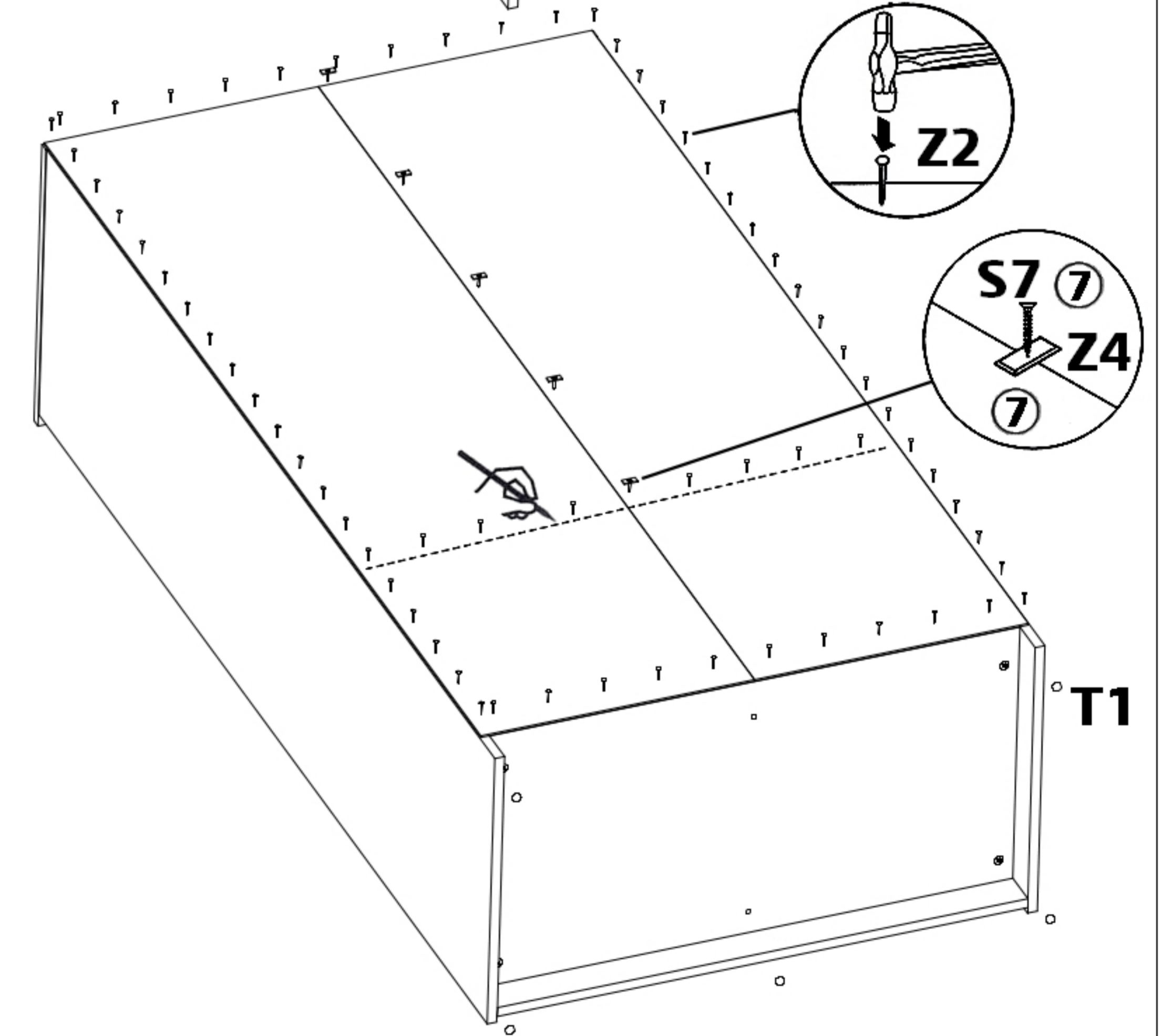
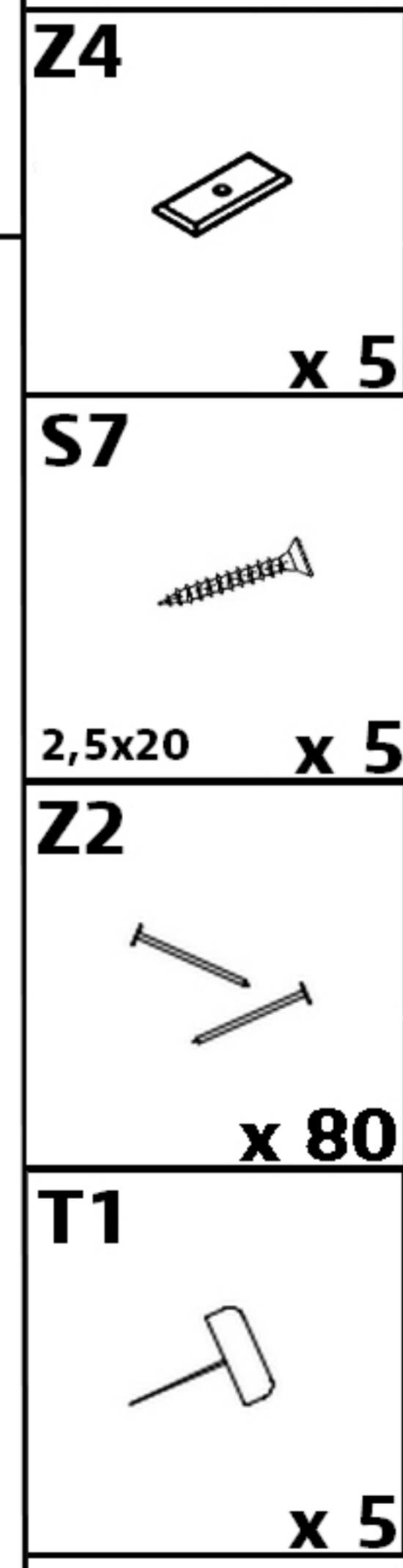
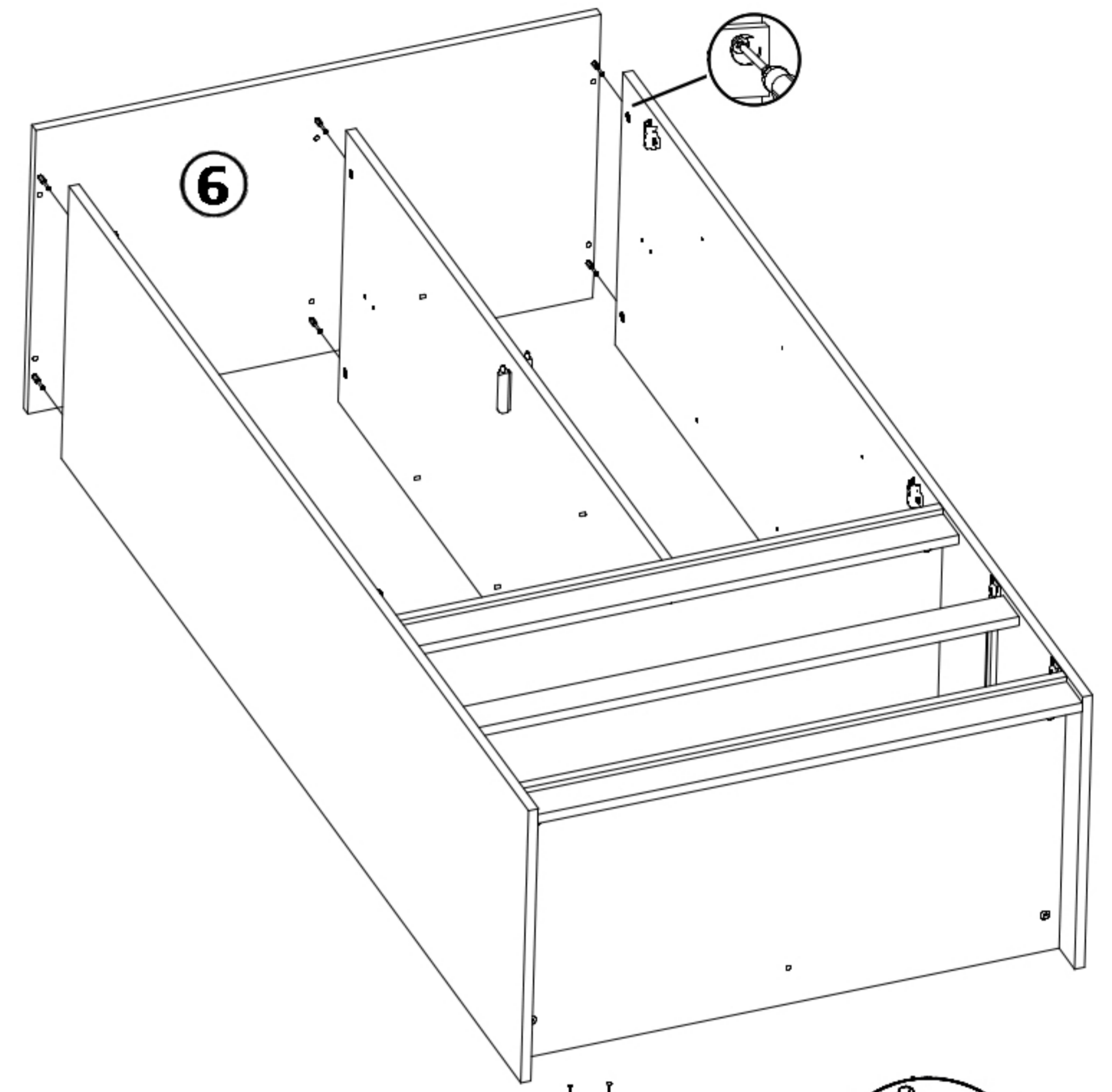
E1  8x30 x 12



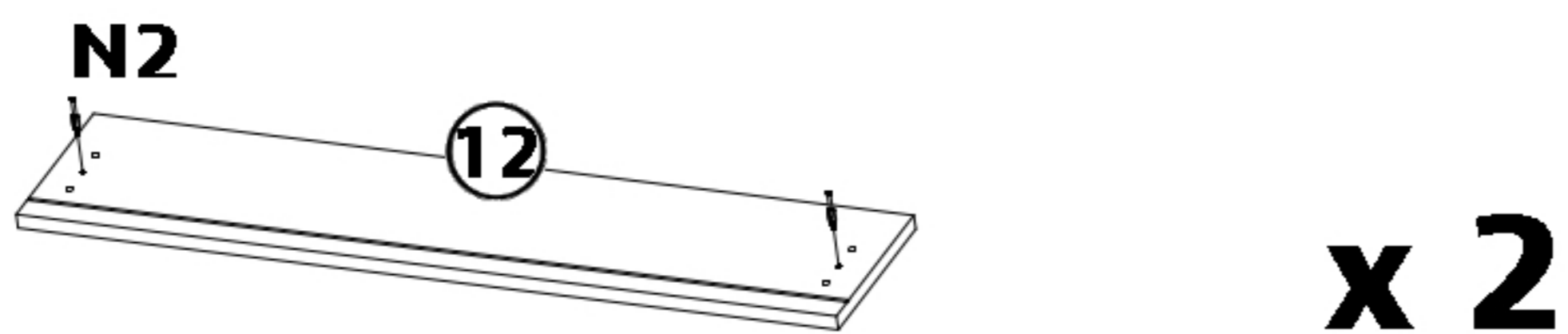
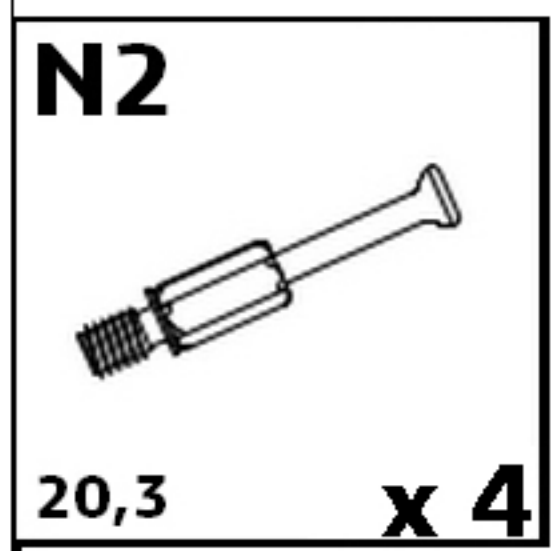
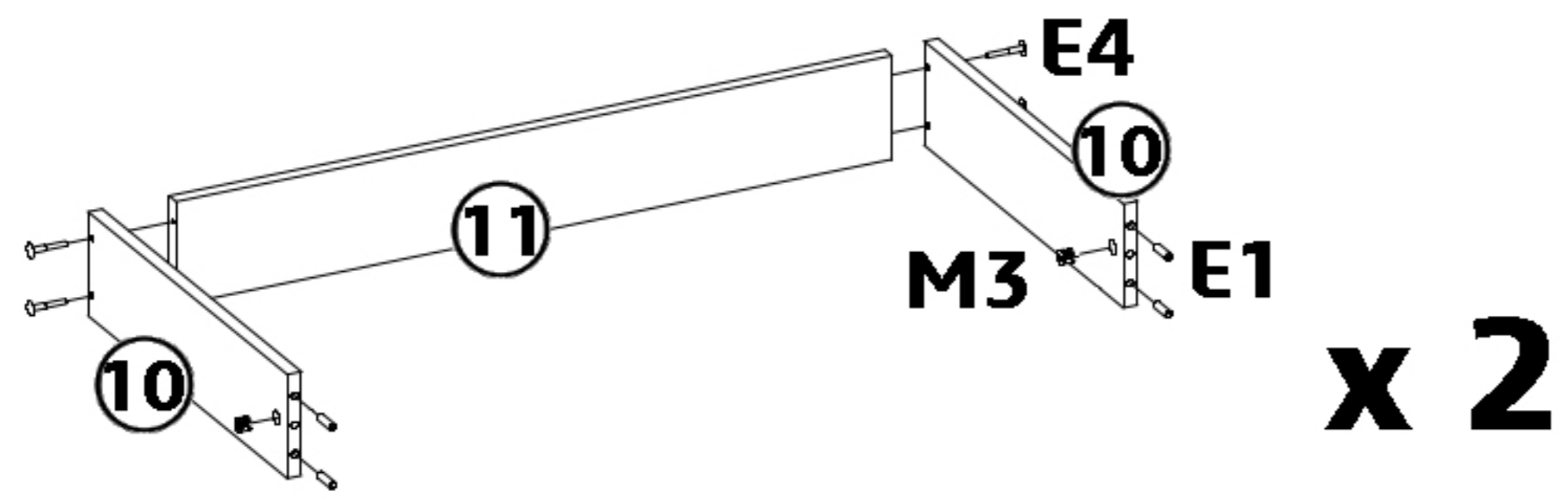
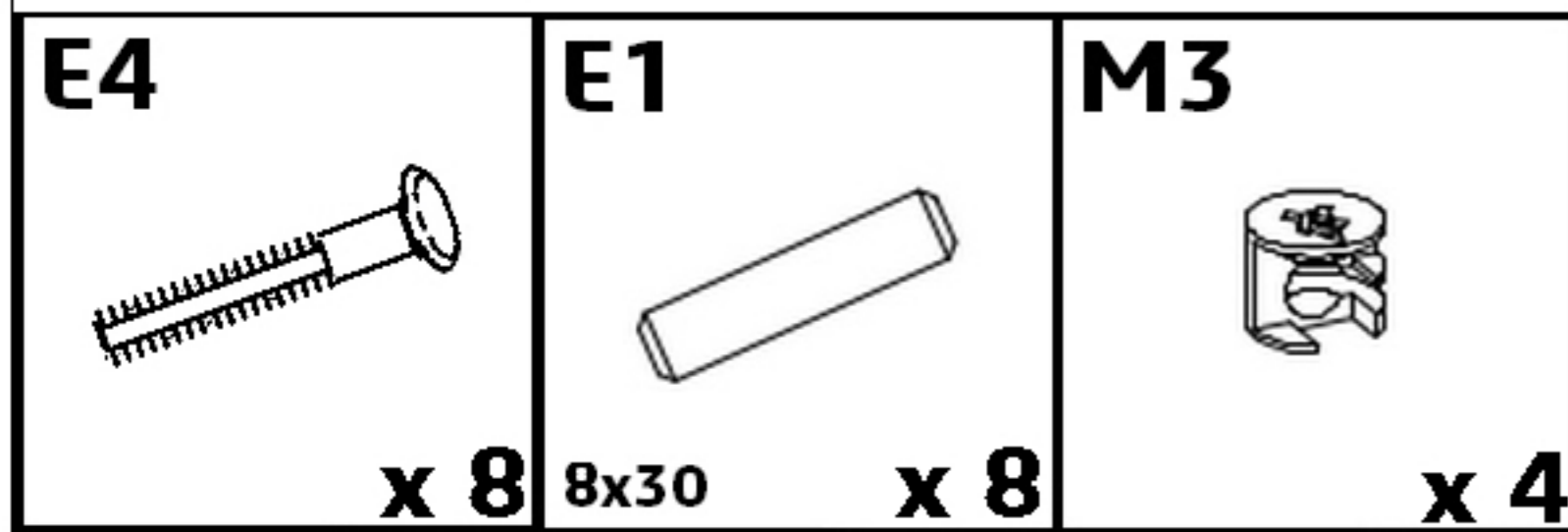
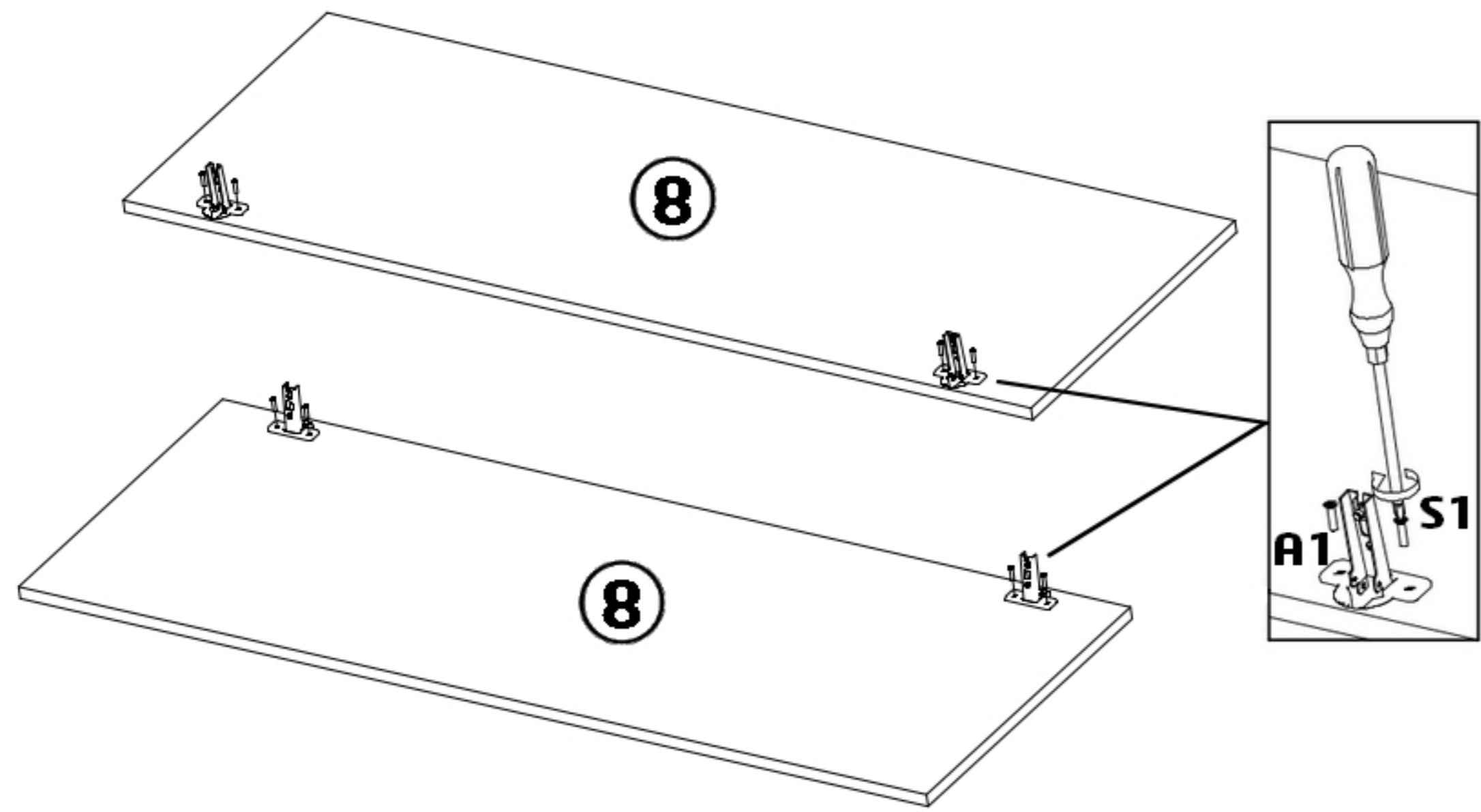
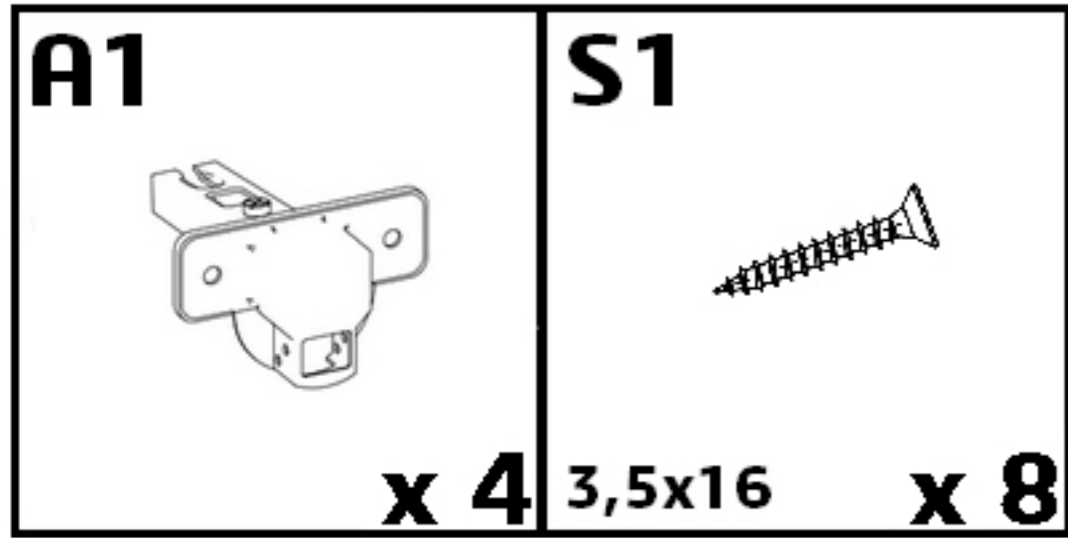
4



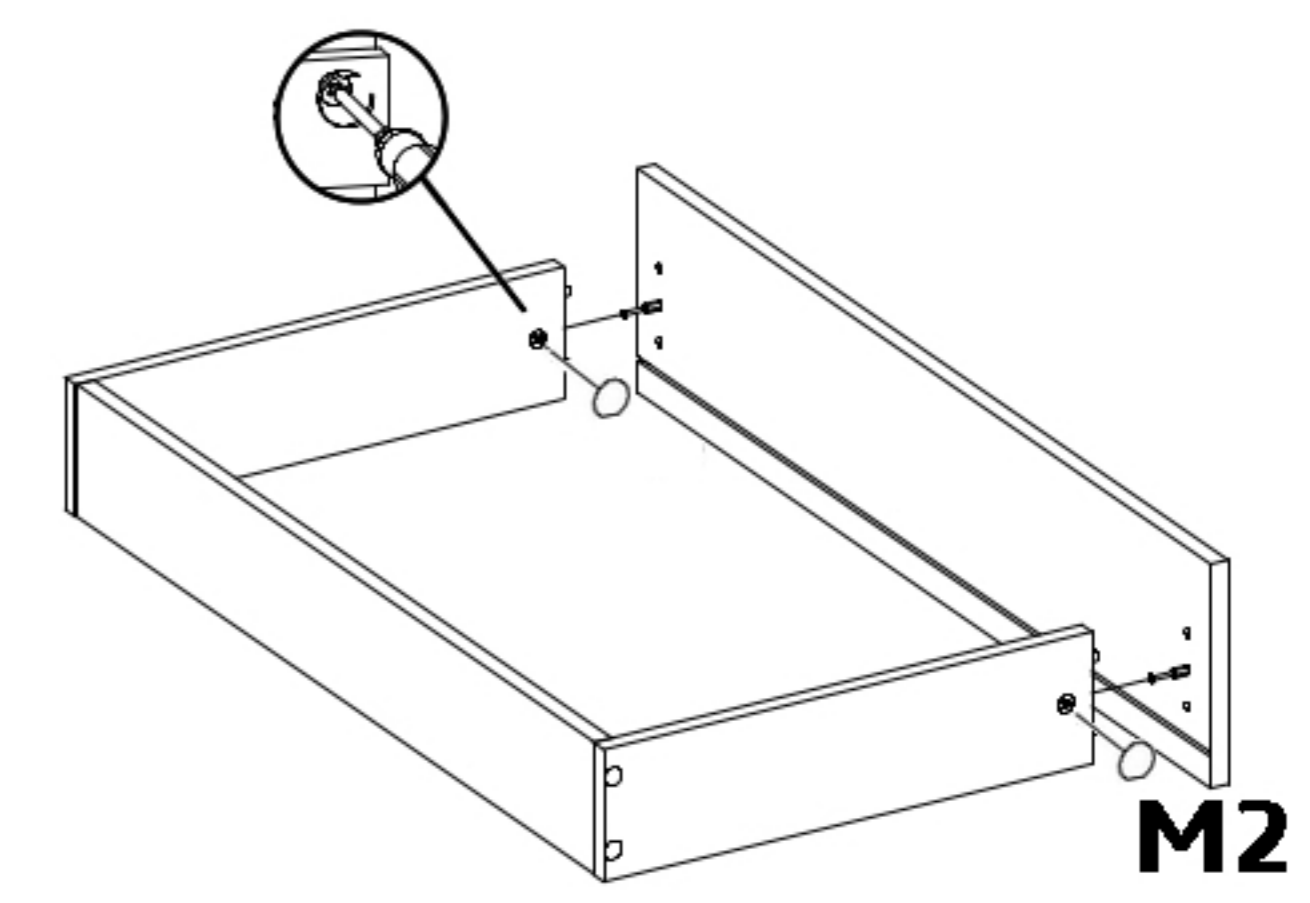
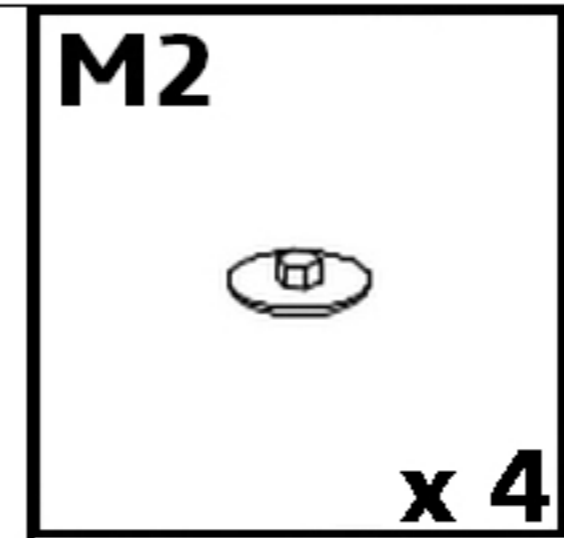
5



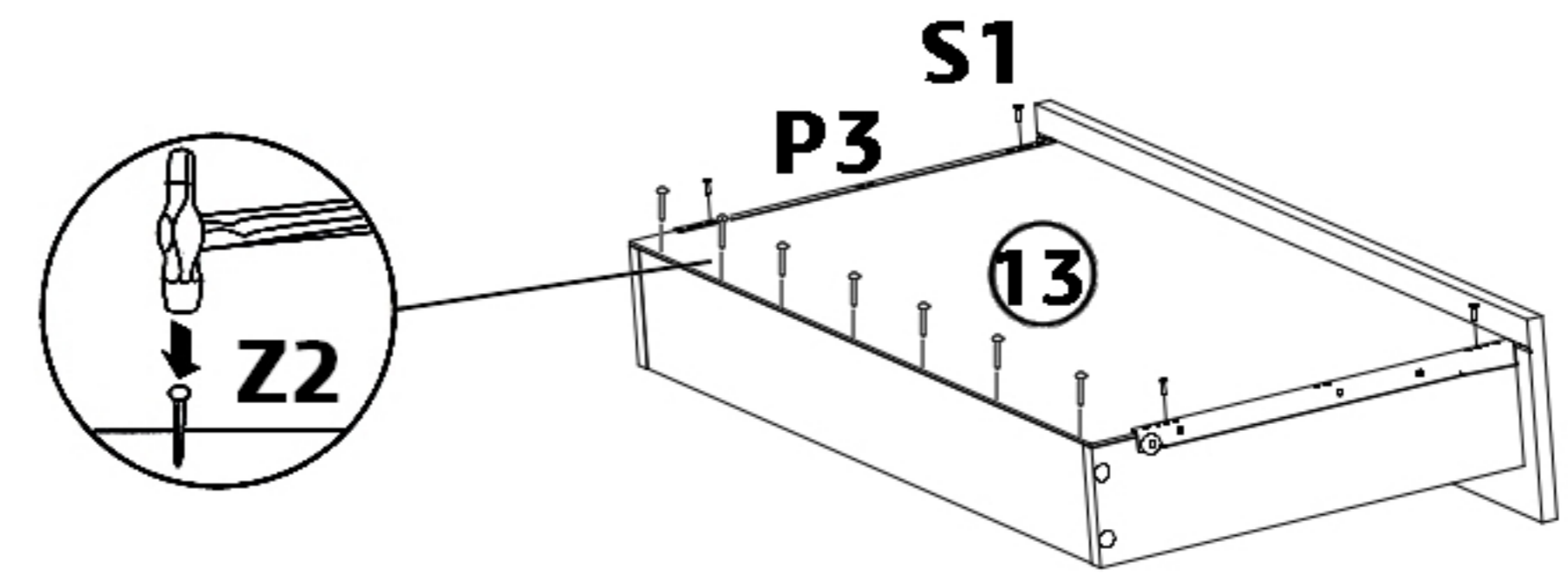
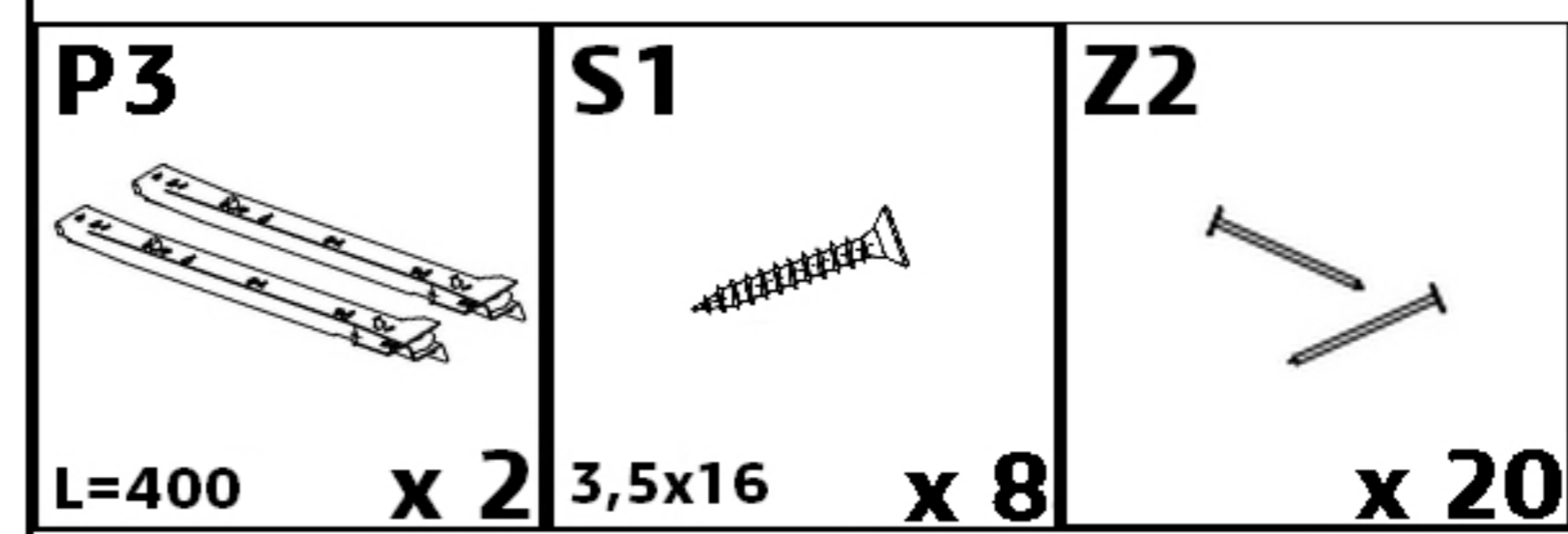
6



7

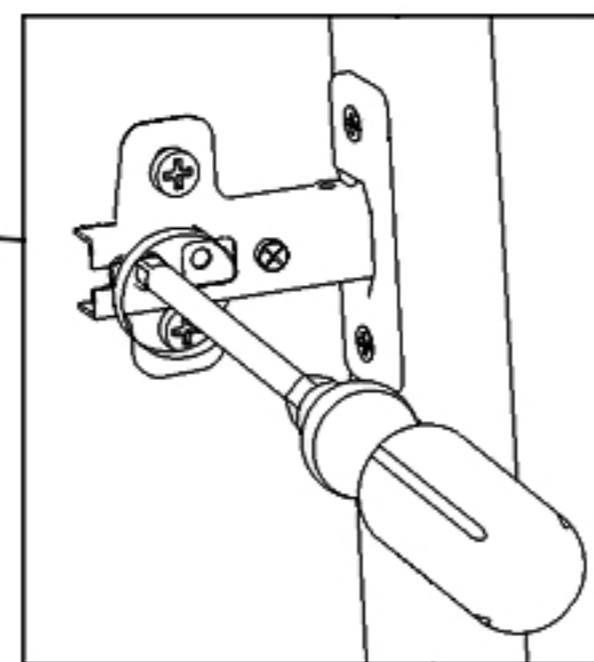
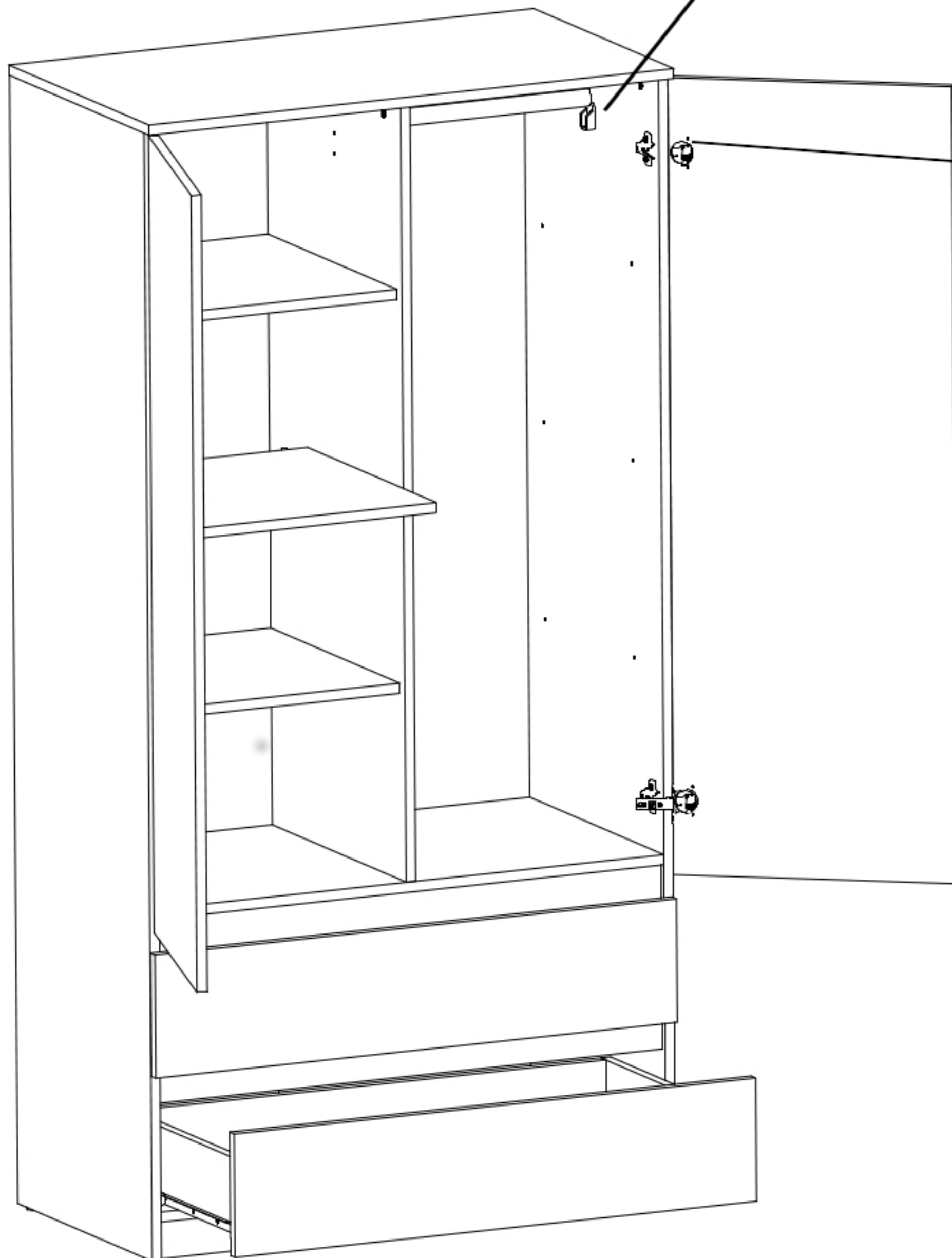
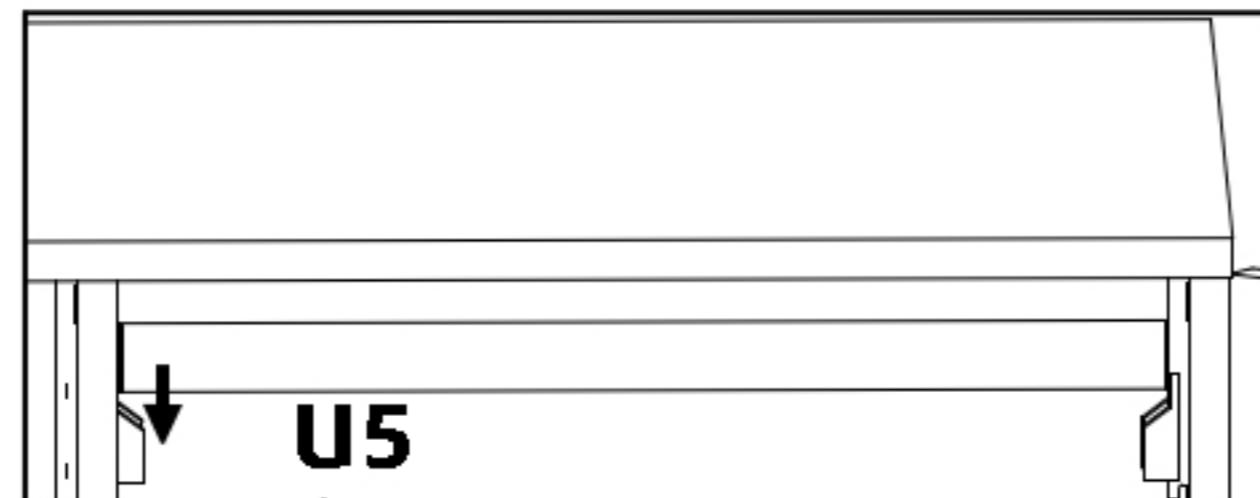
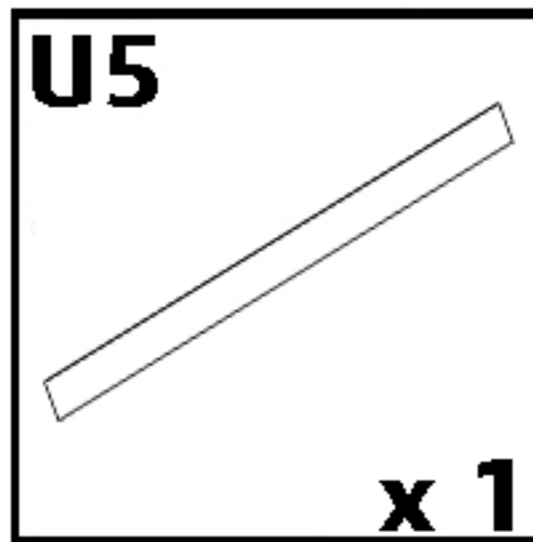


x 2



x 2

8



9

