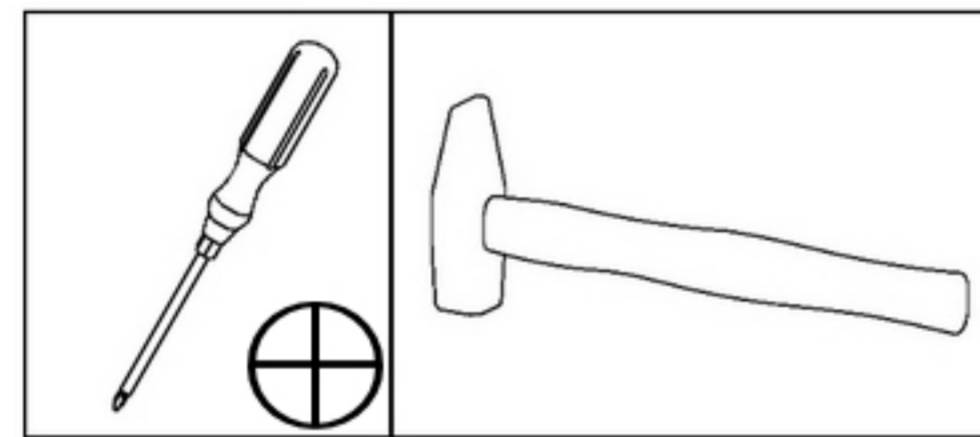
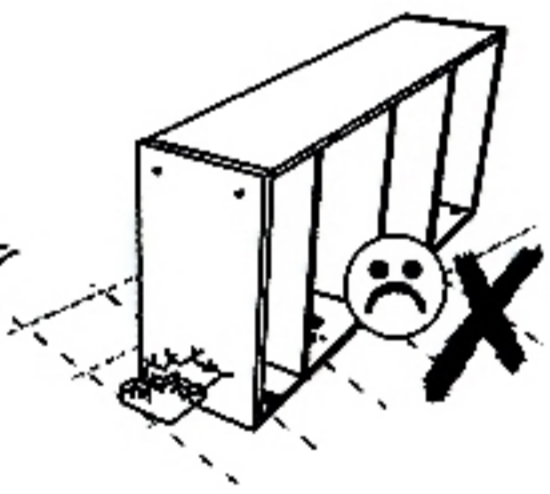
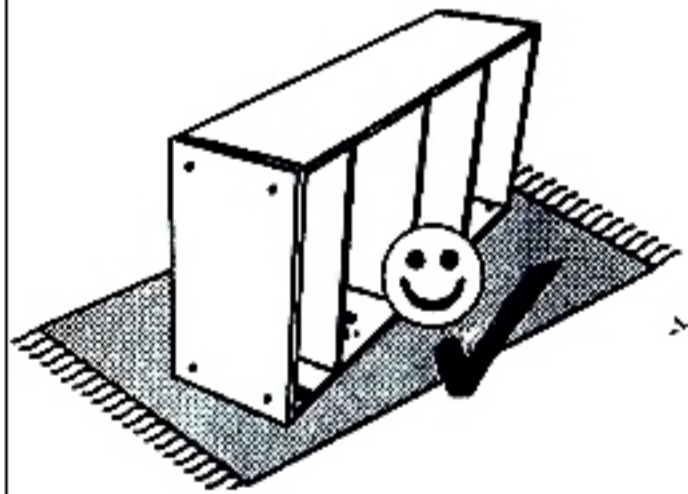
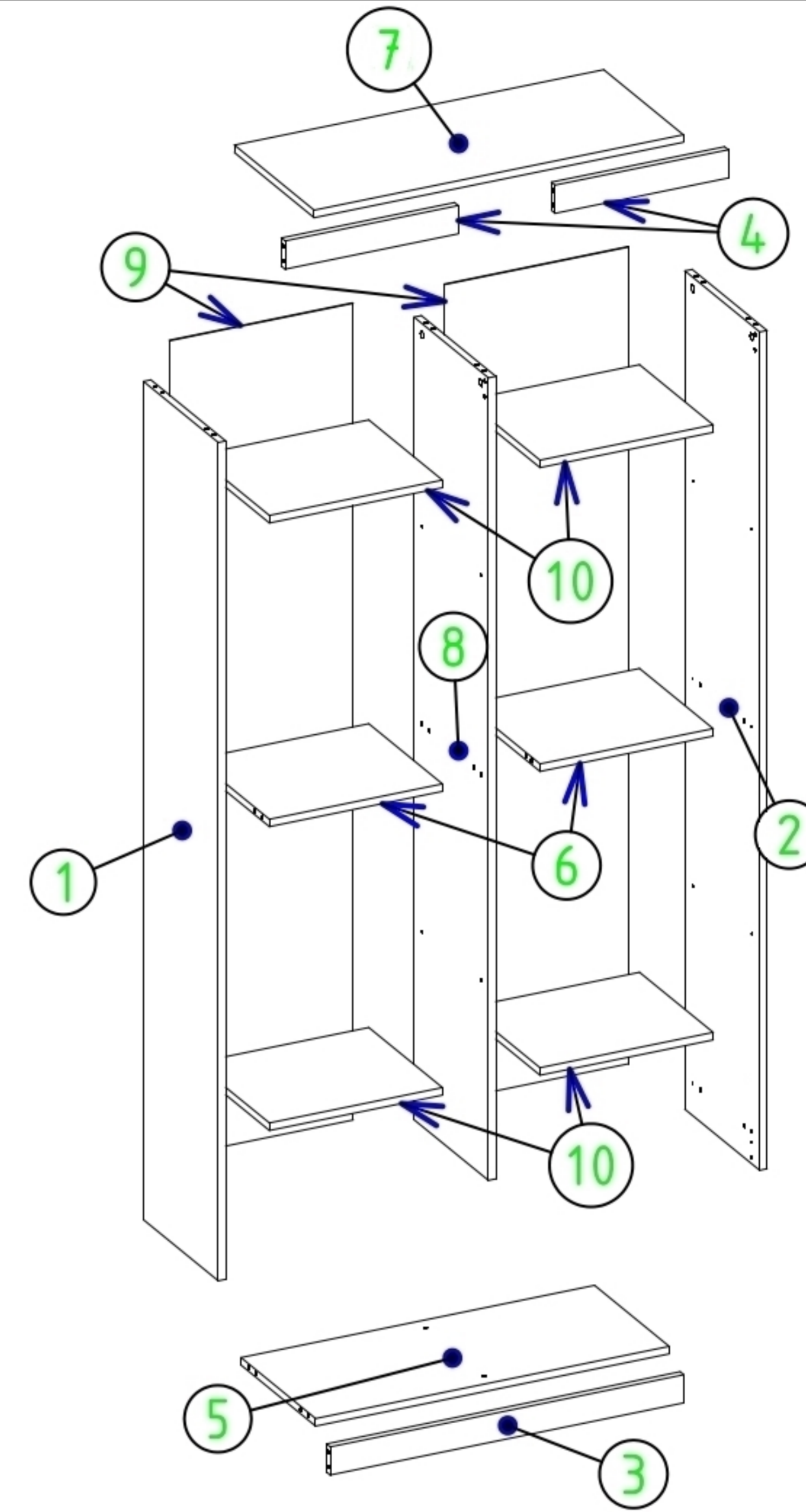
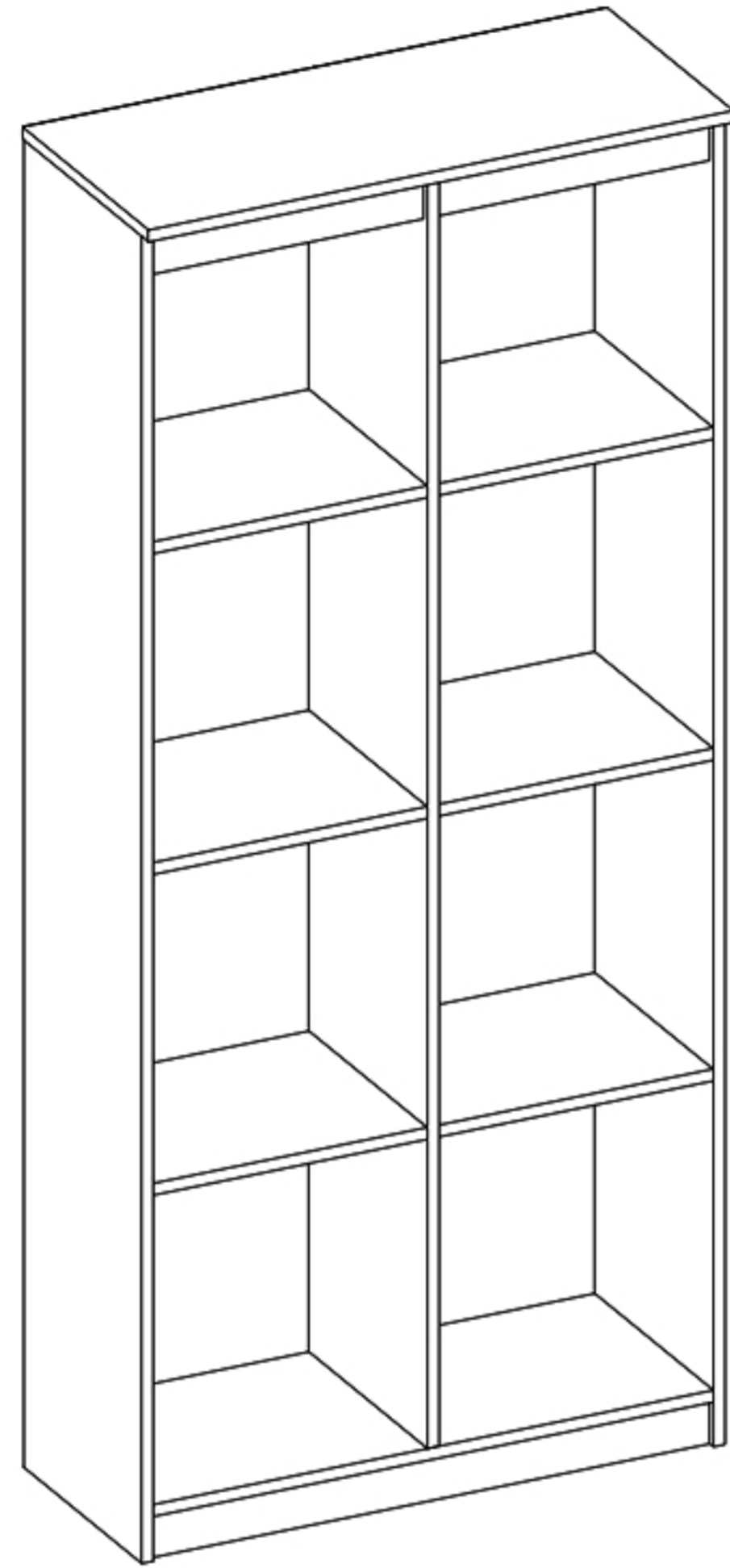









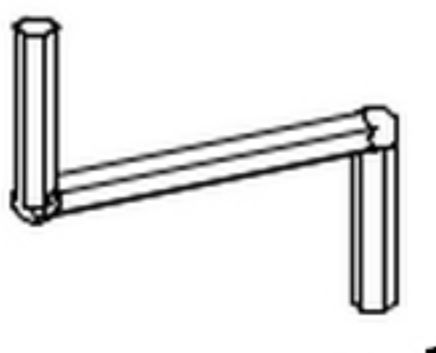






15.05.2019





RS-80 BESTA

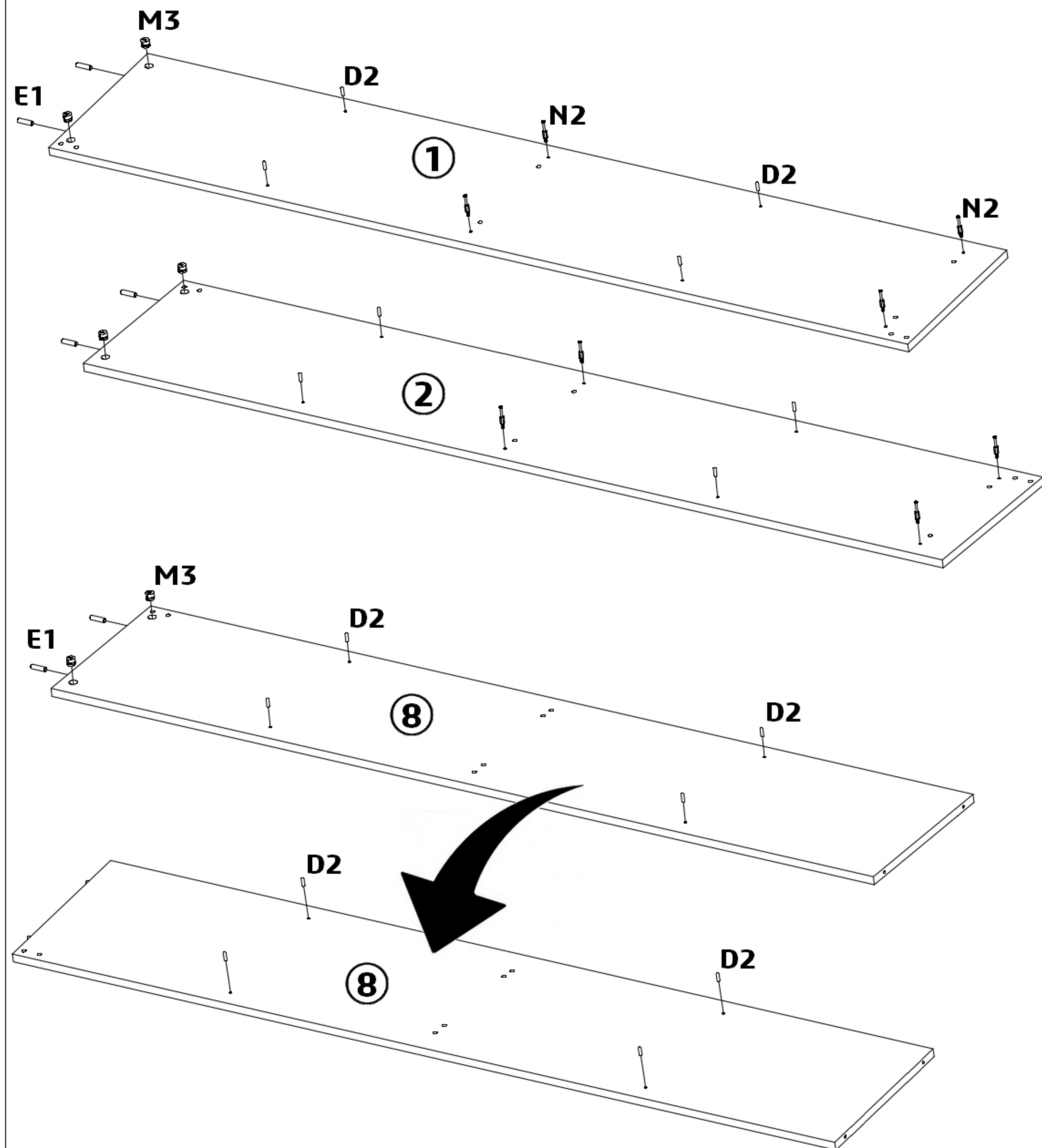


N2  20,3 x 14	M3  x 18	D2  x 16	F2  x 2	Z4  x 8	E1  8x30 x 22	S7  2,5x20 x 8
T1  x 5	Z2  x 80	K1  x 1	M2  x 1	M2  x 10	E3  8x50 x 4	N3  x 2


1	x 1
2	x 1
3	x 1
4	x 2
5	x 1
6	x 2
7	x 1
8	x 1
9	x 2
10	x 4

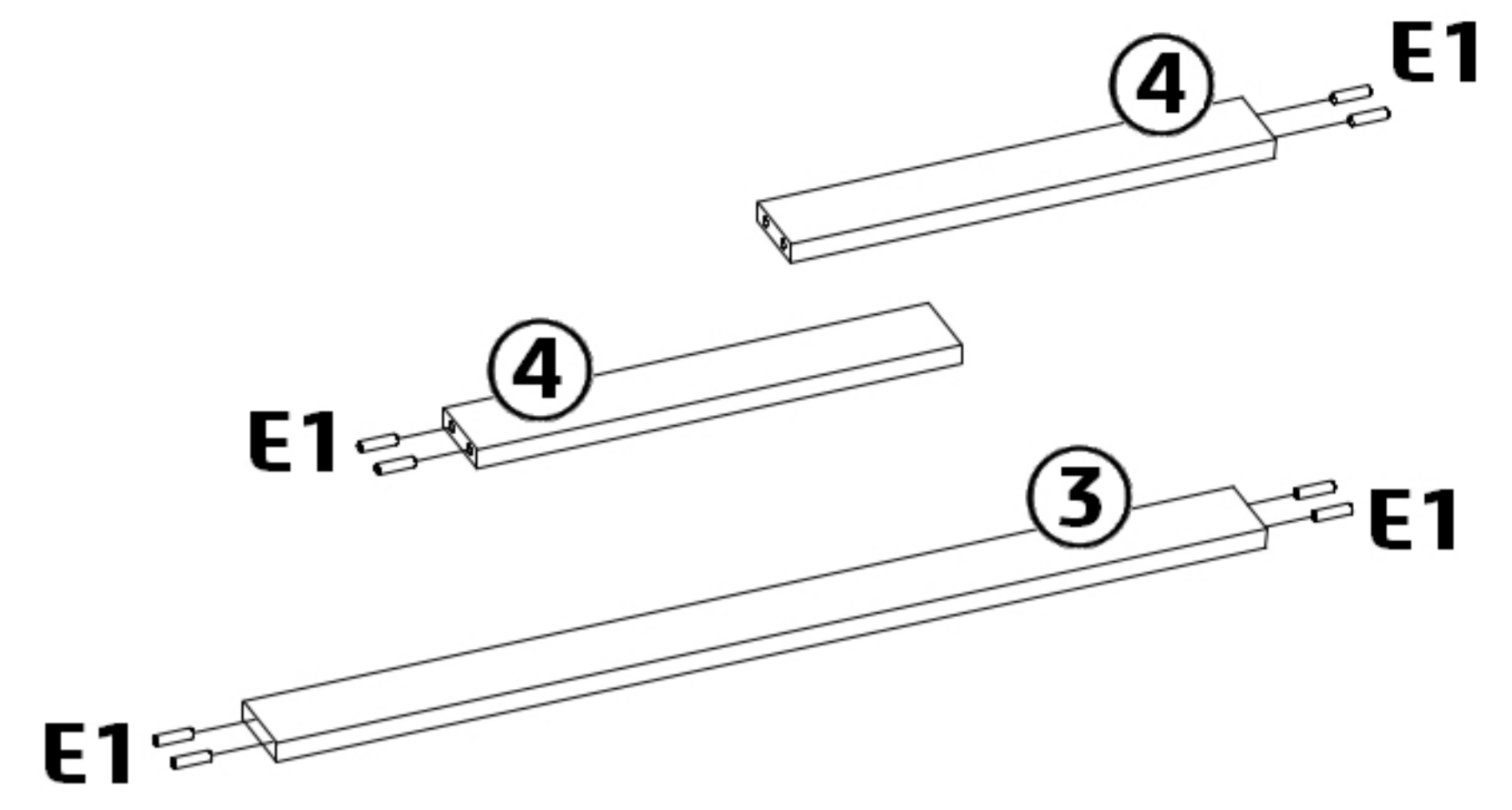
1



N2 	M3 	D2 	E1 
20,3 x 8	x 6	x 16	8x30 x 6

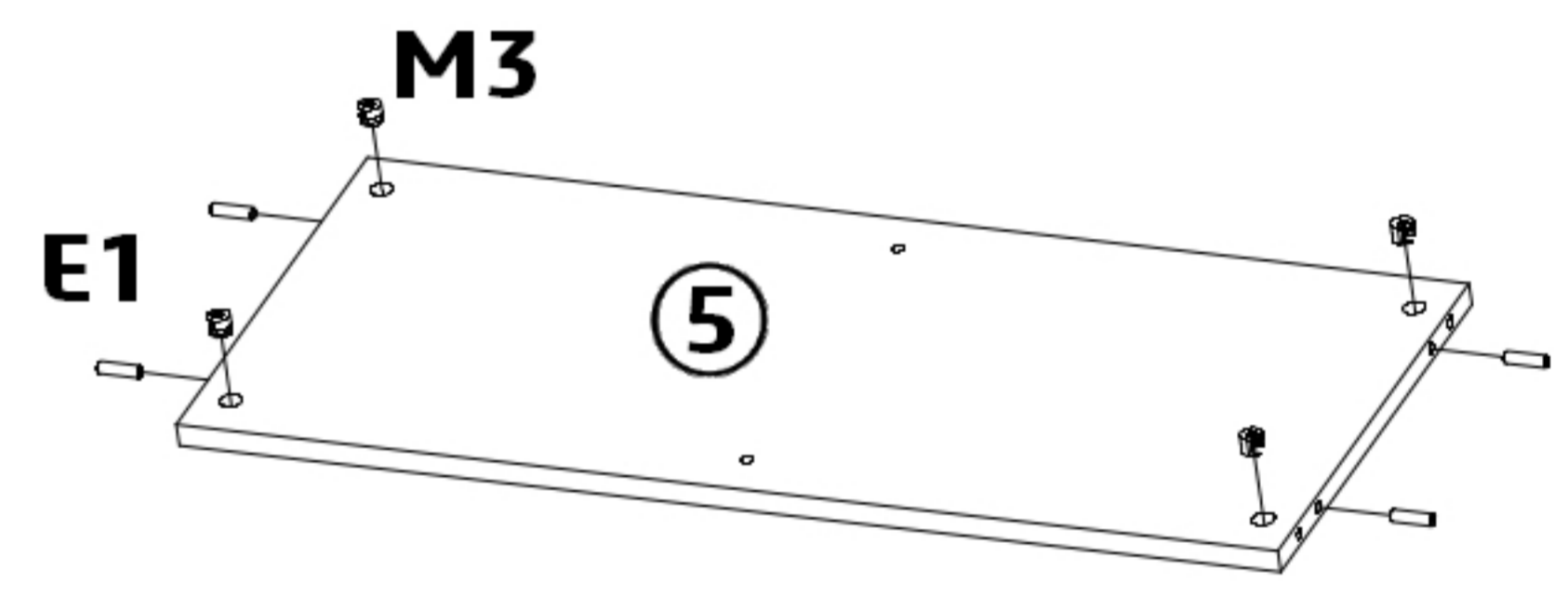


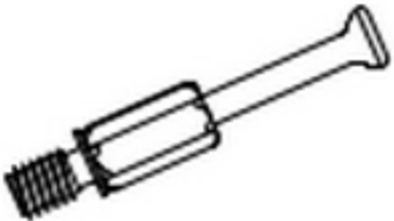
2

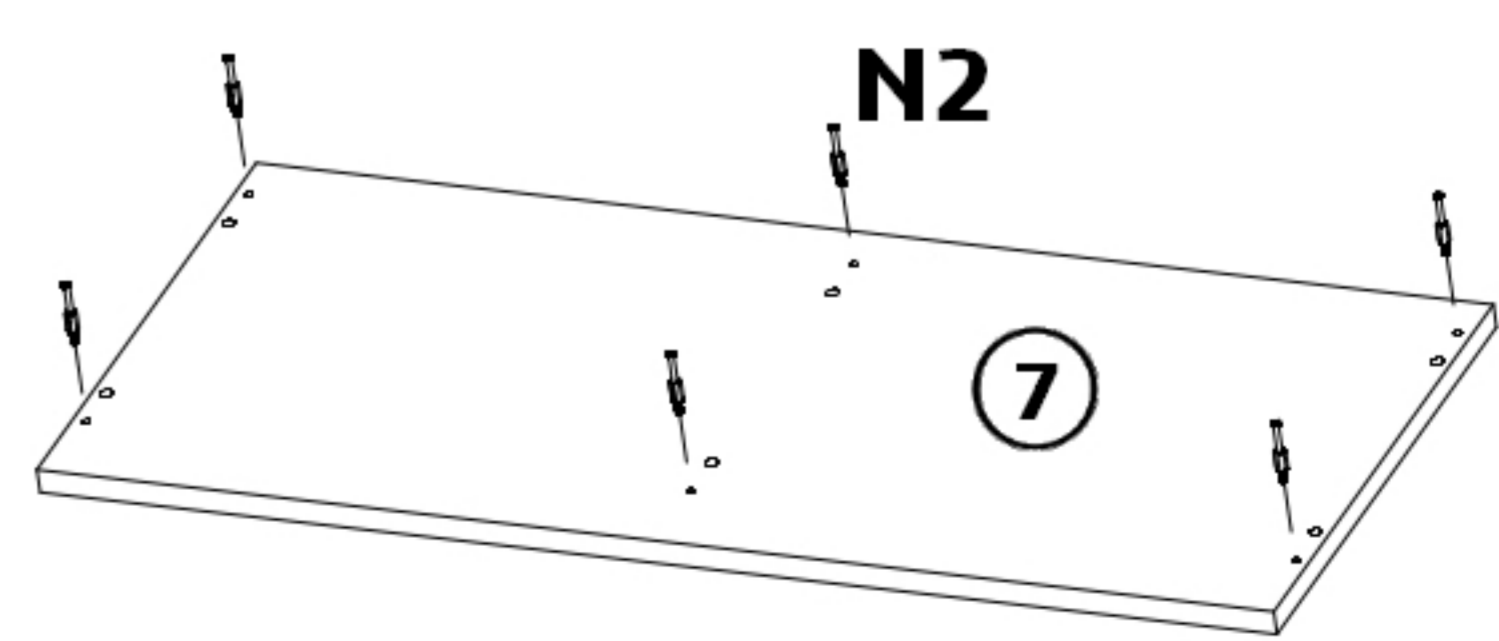
E1 
8x30 x 8





E1 	M3 
8x30 x 4	x 4

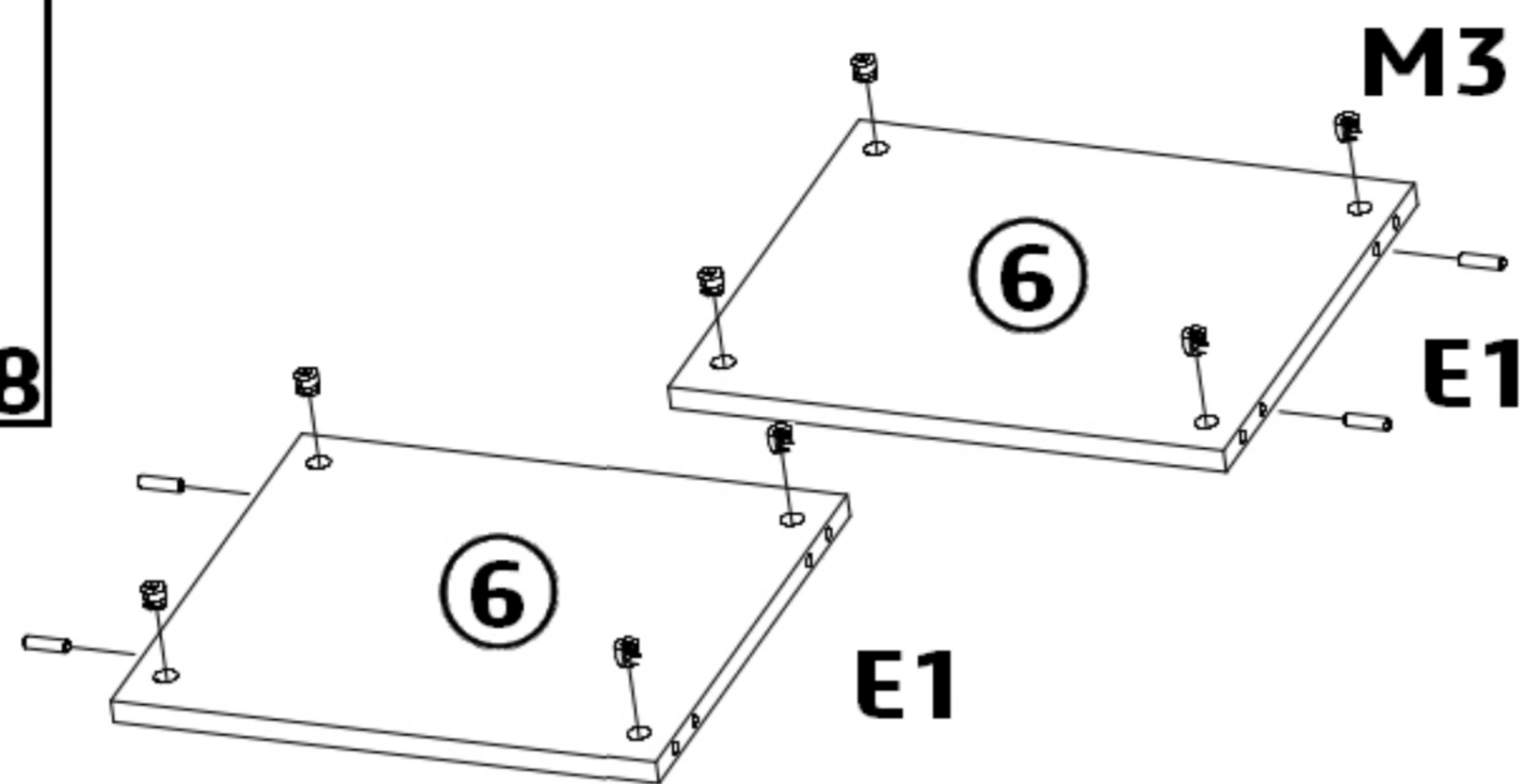


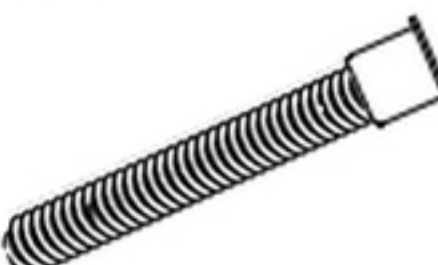
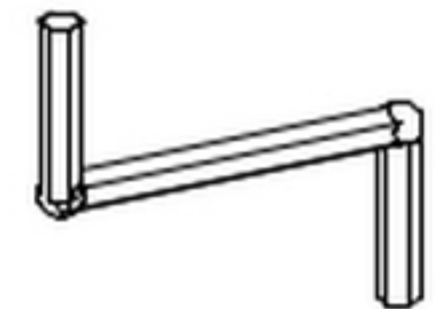



N2 
20,3 x 6

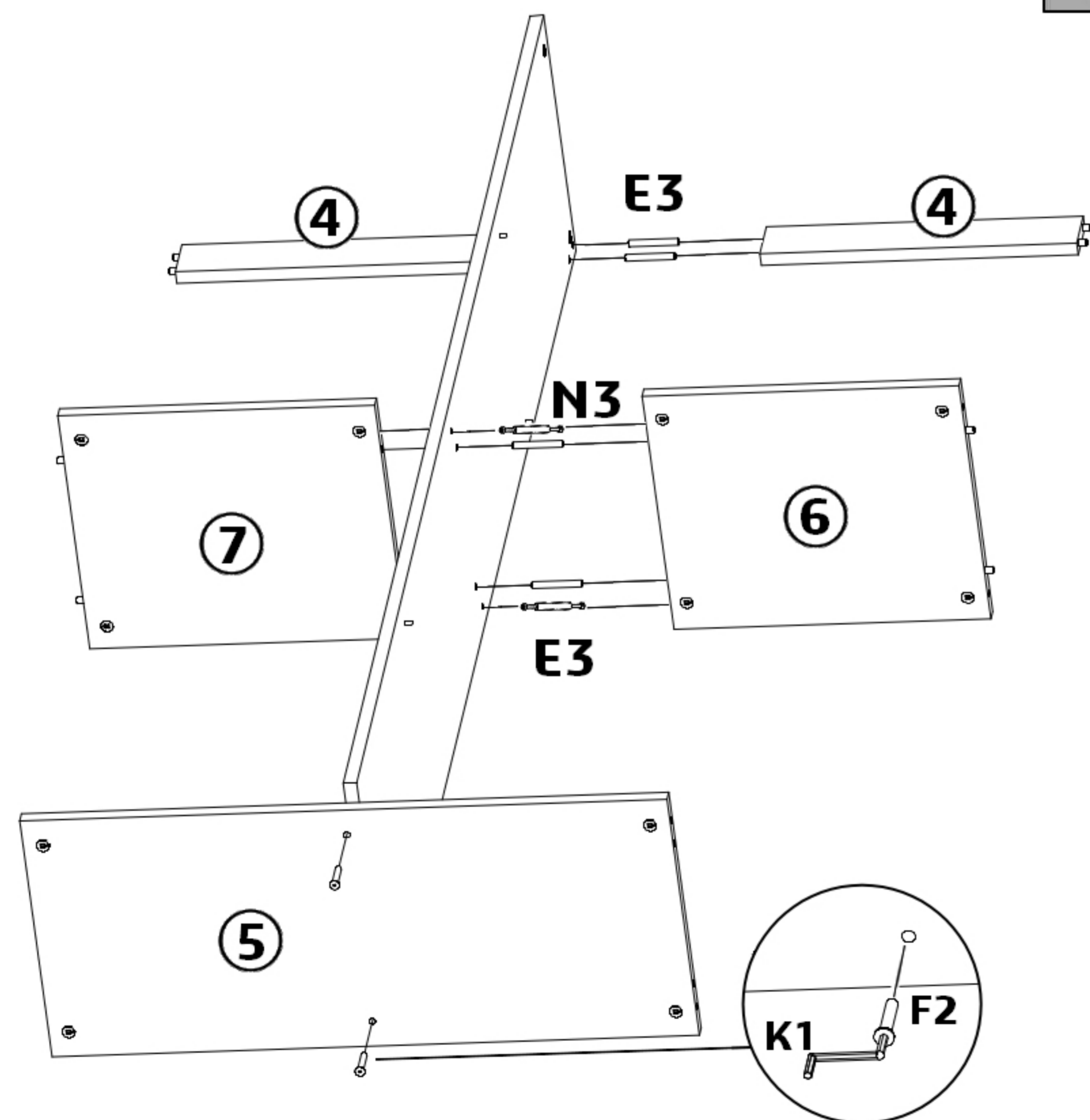
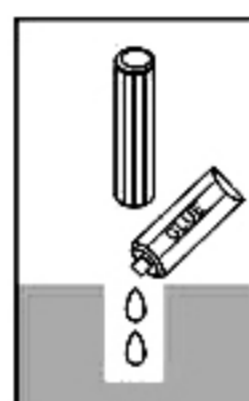


3

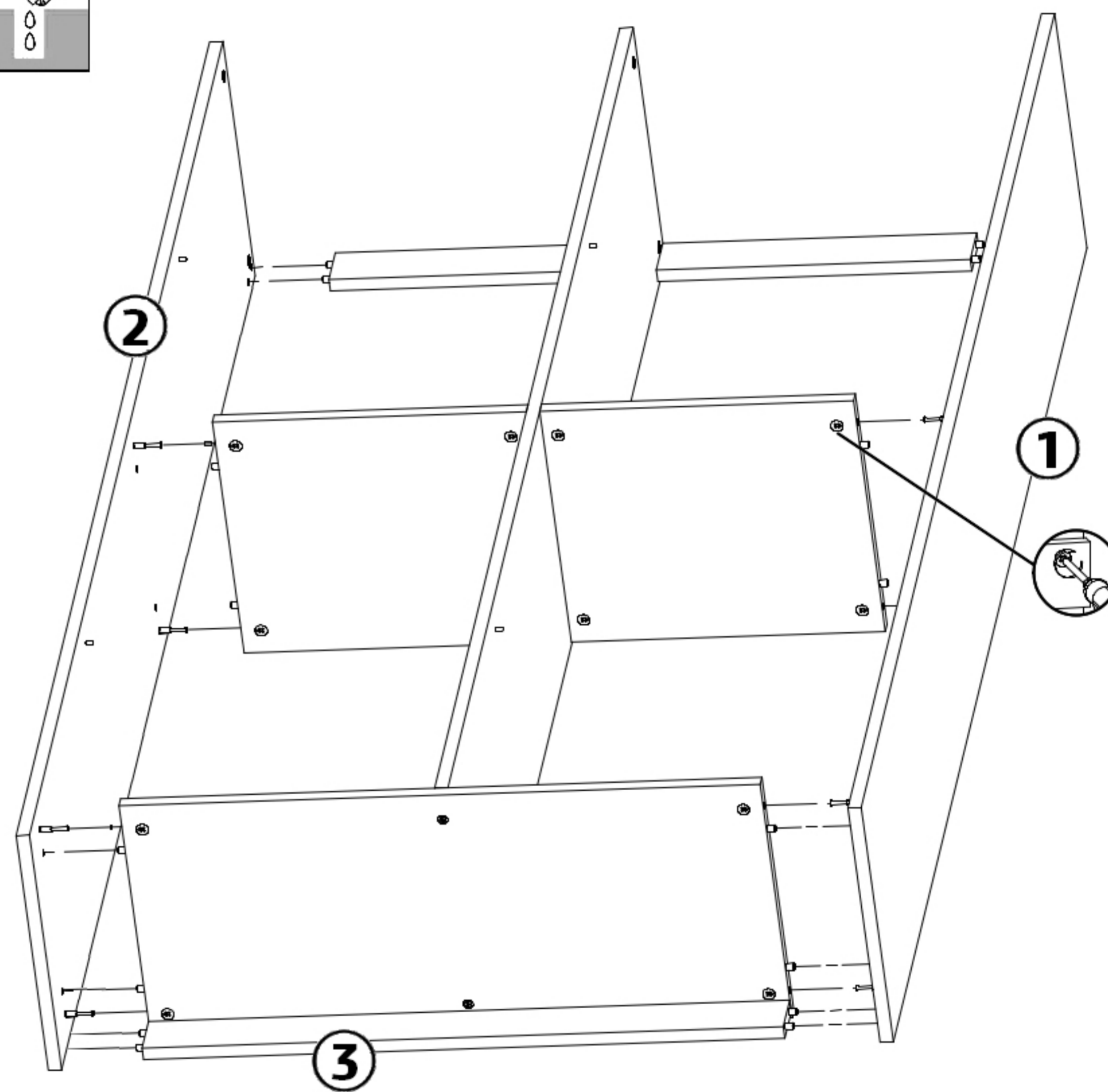
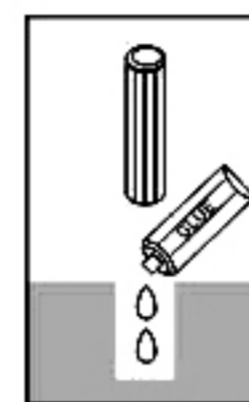
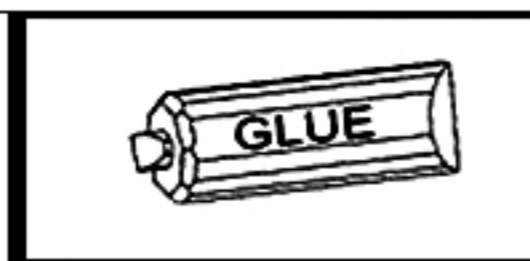
E1  8x30 x 4	M3  x 8
---	---



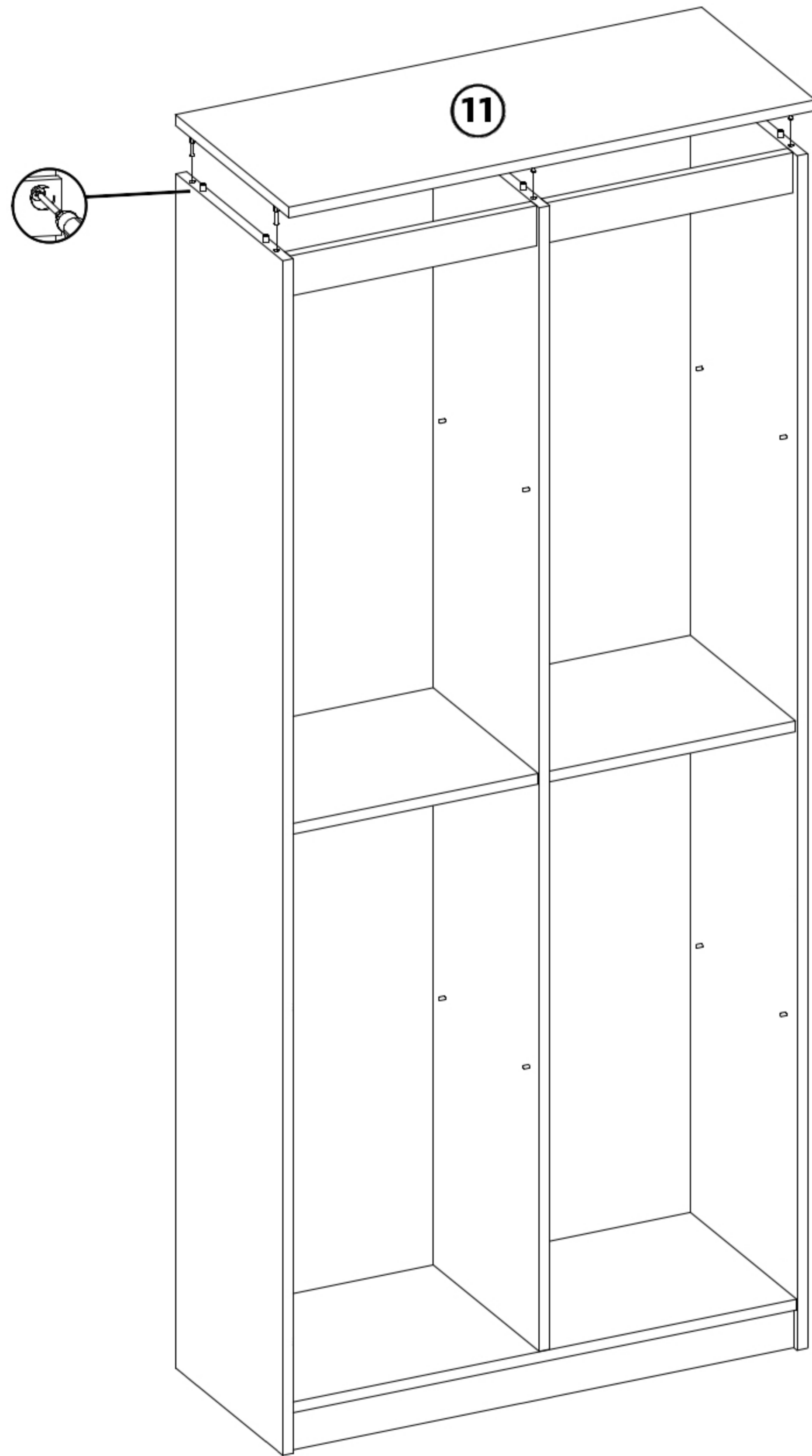
F2  x 2	K1  x 1	E3  8x50 x 4	N3  x 2	GLUE 
---	---	---	--	--



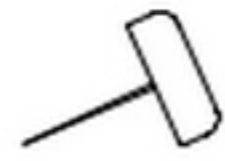



4

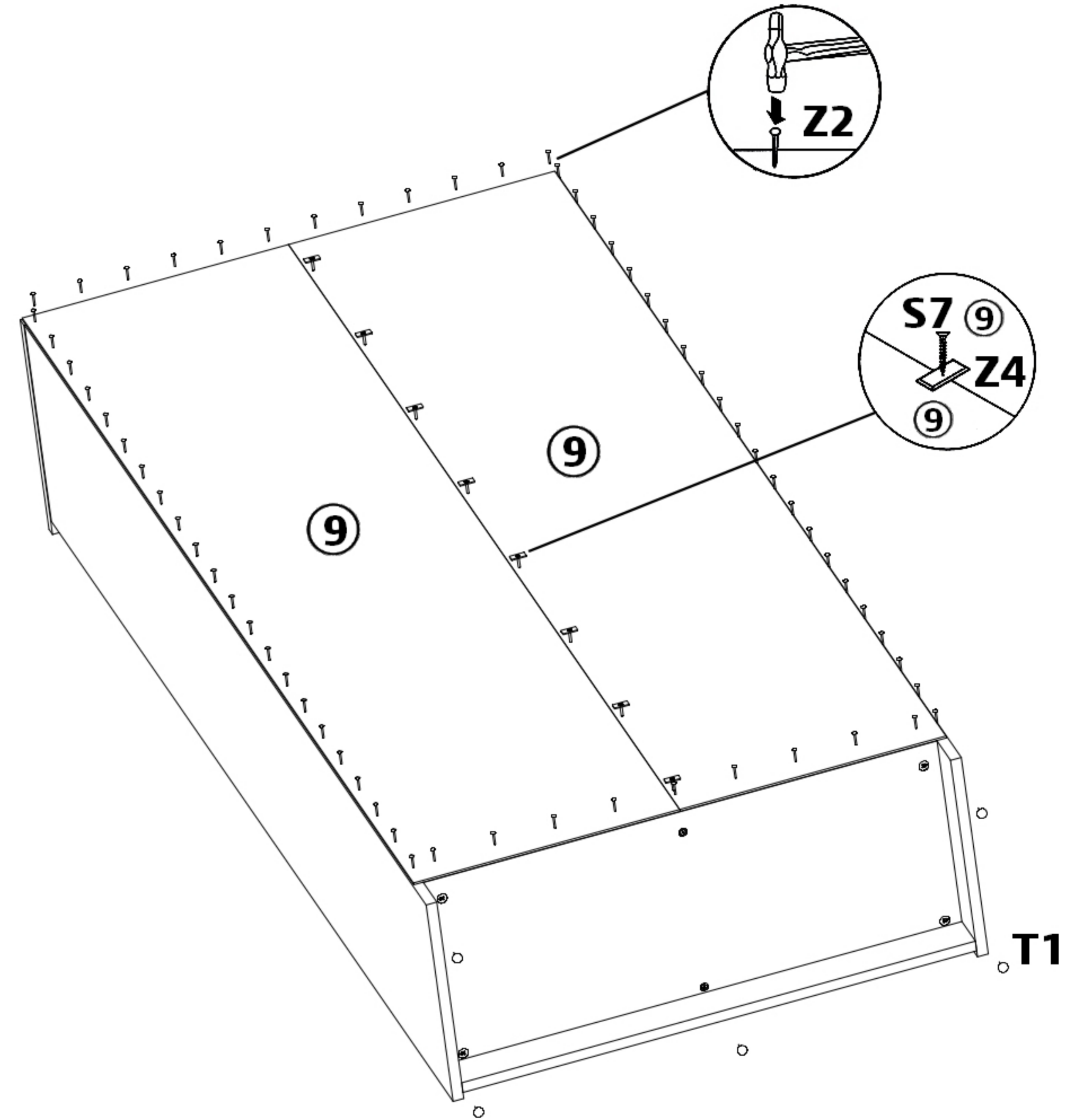


5

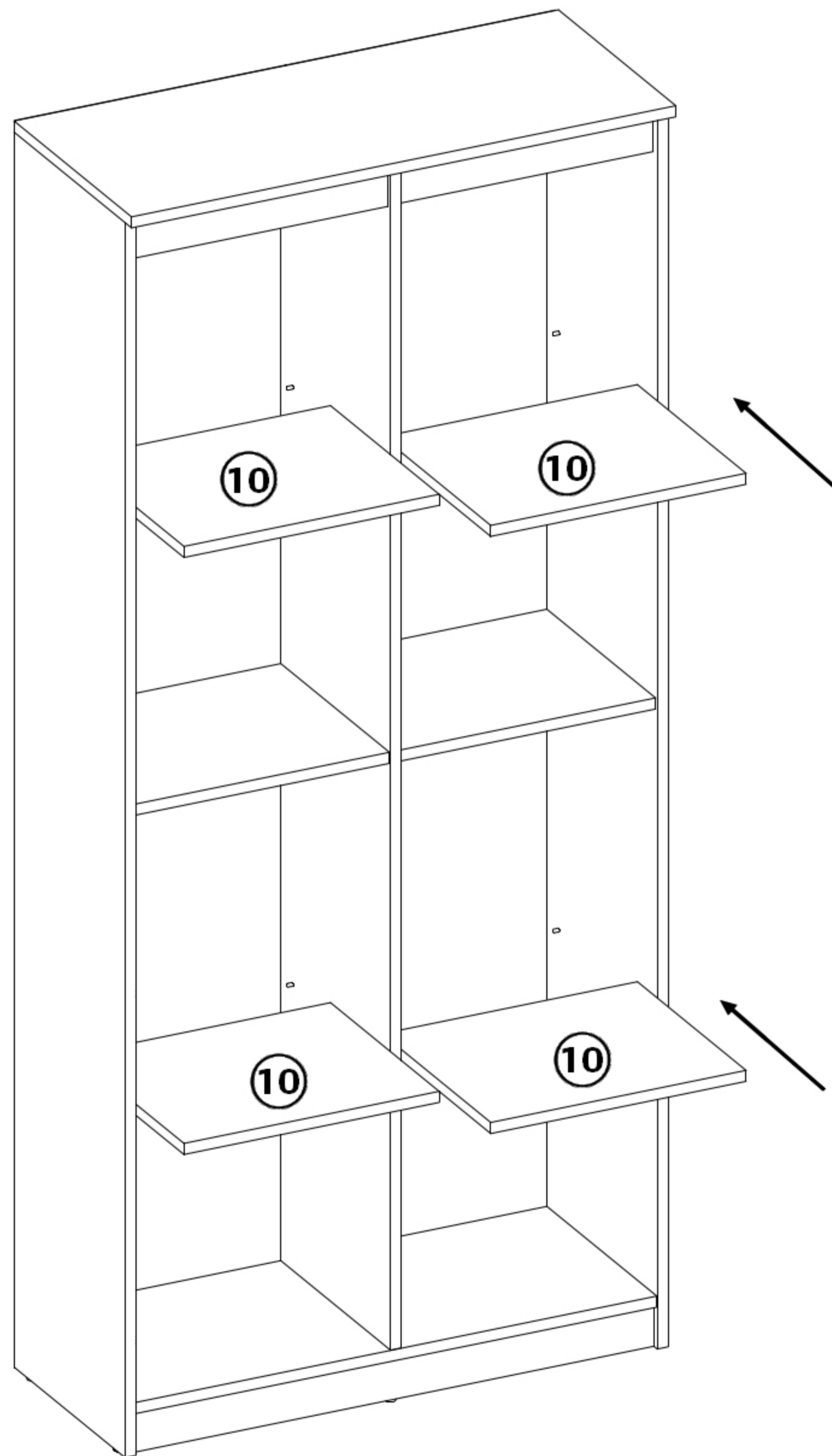


6

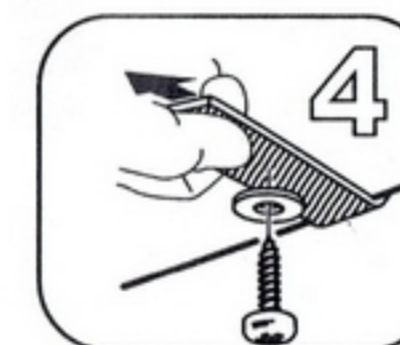
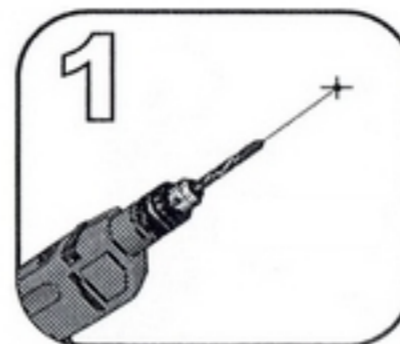
T1  x 5	Z2  x 80	S7  2,5x20 x 8	Z4  x 8
--	---	---	--



7



x 1

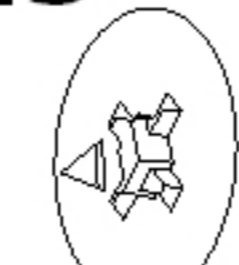


M2



x 10

M3



M2

8

