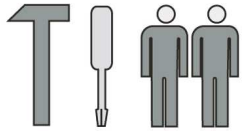



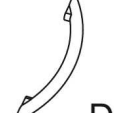



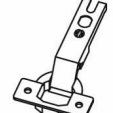




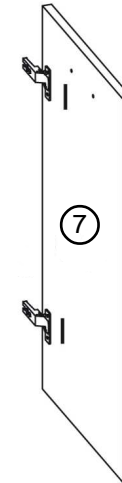
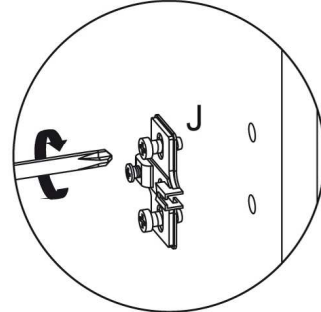
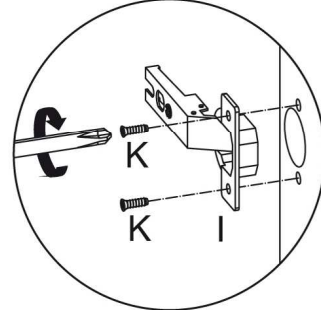
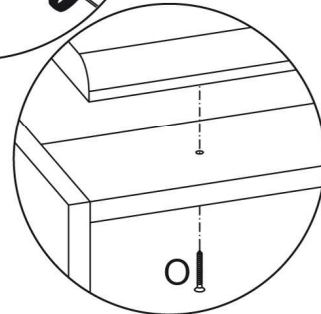
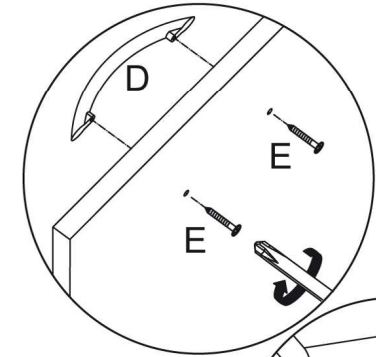
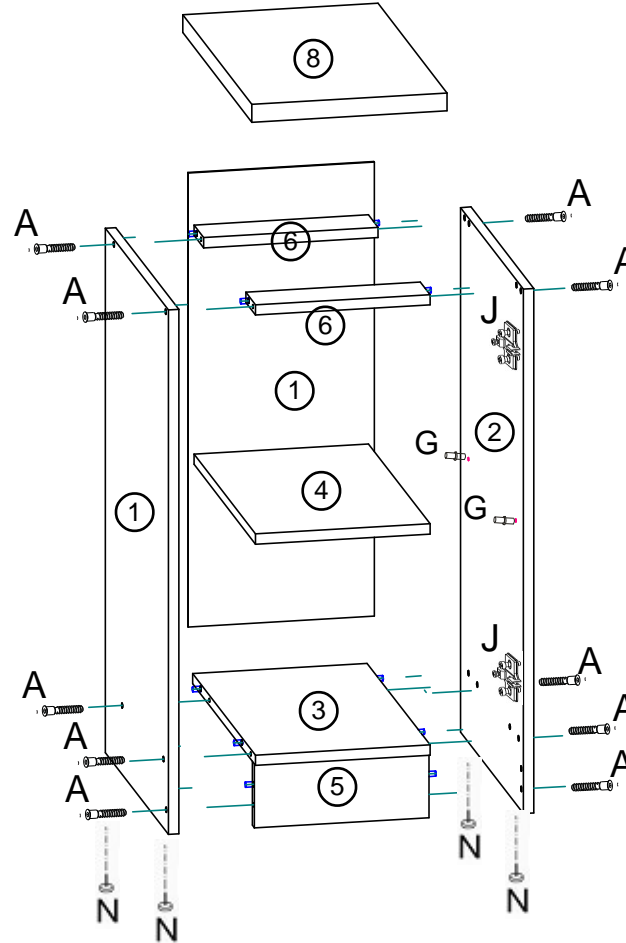
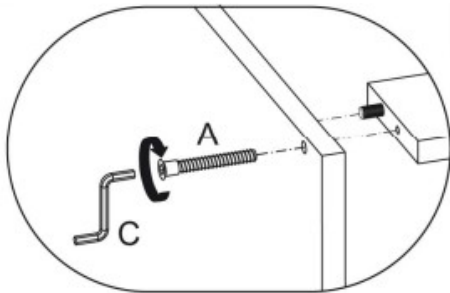
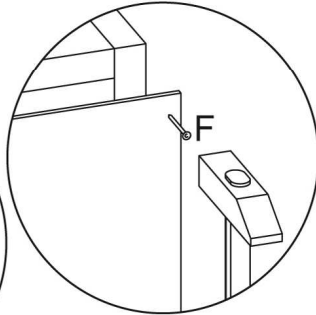
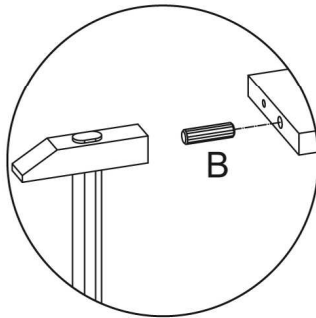


D-30



											
10	10	1	1	2	~20	4	2	2	4	4	4



No packer:

Dear Customer.

We regret to inform you, that in time complaint please give No packer and No missing and spoil element.